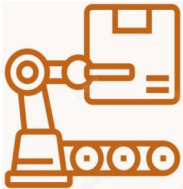


## Flat Roof and Balcony Solar Mounting System

- Premium materials
- Precision without cutting
- Pre-assembled & height adjustable
- Full warranties & first-class service
- All improved & patented

# Content

ATV System	1-2
APAT System	3-4
PAT System	5-6
Adjustable Tilt System	7-8
Balcony Solar Mounting System	9-12
ECO N&S System	13-14
ECO W/E System	15-16
Arch 6.0 System	17-18
Ballast Pro 1.0 System	19-20



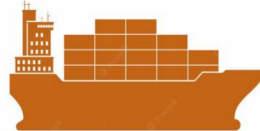
2GW+ annual output



15 years Experienced Team



Installed in 100+ Countries



Direct racking supply,  
8GW shipment By 2024



OEM manufacturing and  
designing ability depend on  
AS1170, JISC, UL, SGS, TUV  
standard



12000+ completed solar  
plant

# About us

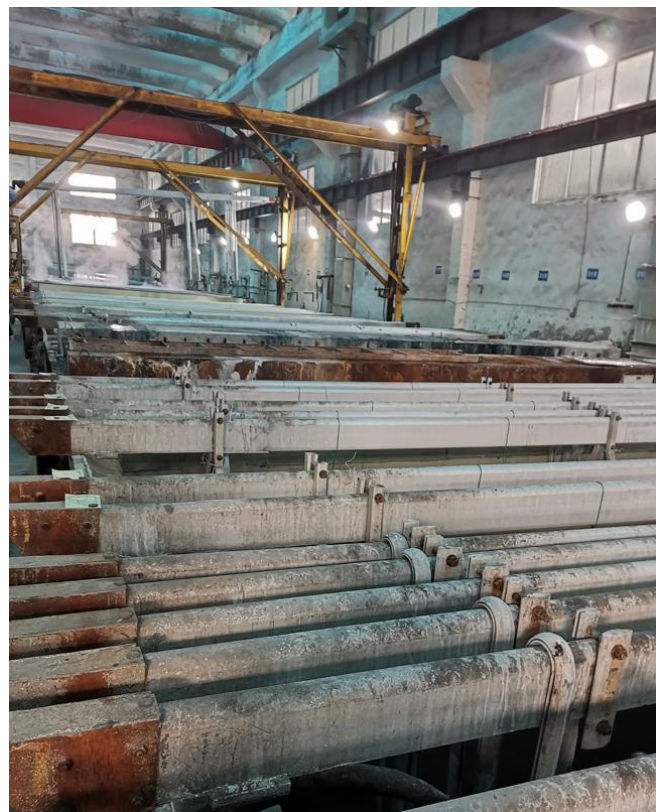
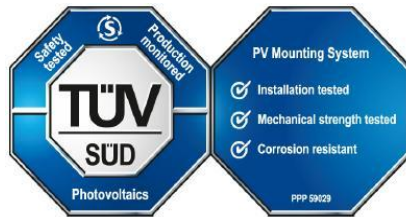
## WOCHN Green Energy Co.,Ltd

WOCHN Energy is a high-tech company which specializes in designing, manufacturing, selling solar mounting system. Headquartered in Shanghai, WOCHN has invested two factories in Xiamen & Zhejiang..

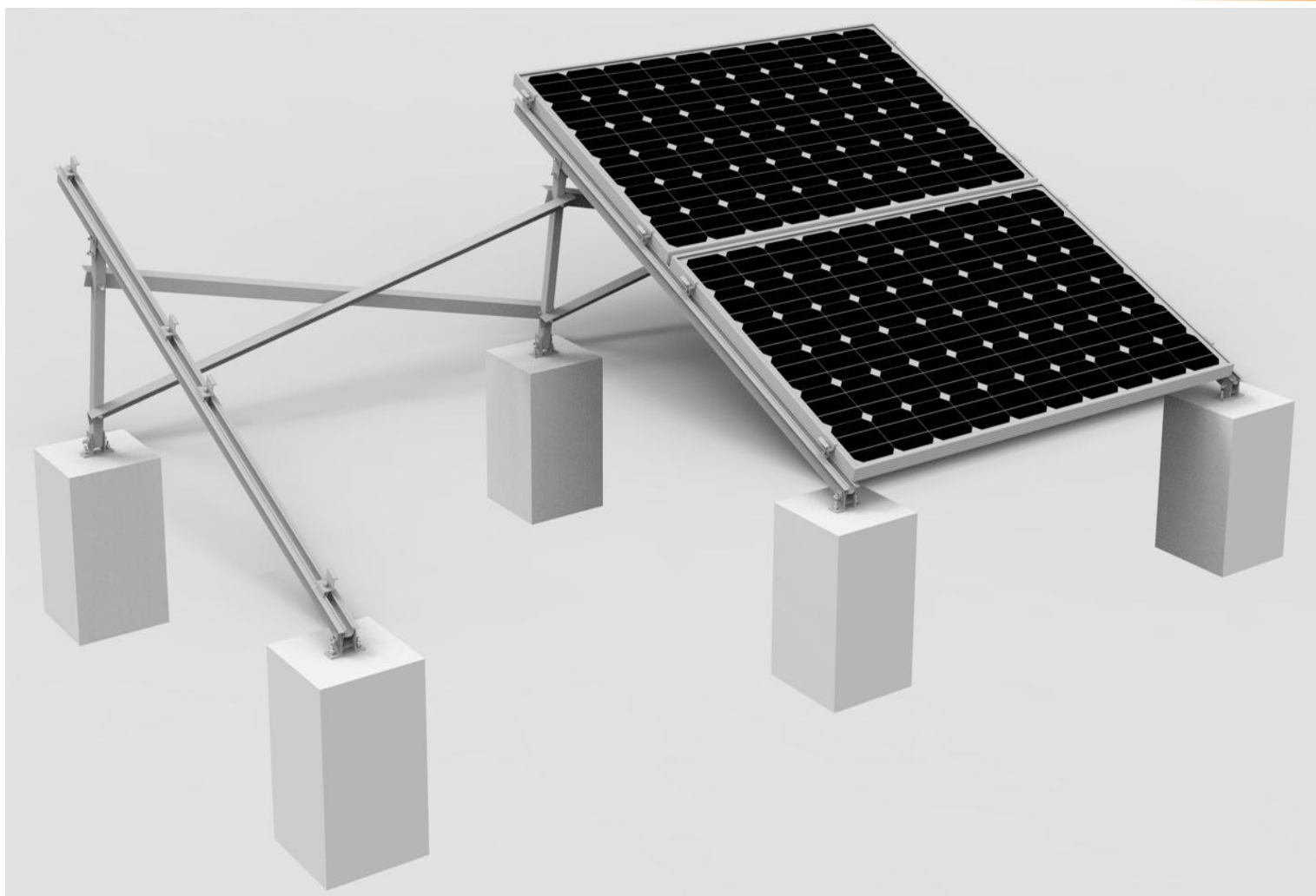
WOCHN's products and services have become synonymous with quality and innovation, delivering a wide range of solutions to the industry, its professional and friendly service is globally renowned by customers.

WOCHN offering innovative design and integrative settlement solution to our customers based on years of experiences on design, production and sale. We achieved good trust from customers because of our stable and excellent products. We will try our best to become a world leading level of solar photovoltaic systems integration solutions supplier.

WOCHN is committed to locally delivering a wide range of products and services: local distributor investigating at site, delivering goods soonest, offering the best after-sales service. Our customers count on us before, during and after the installation. You can rest assured that when you partner with WOCHN you've made the right decision.



# ATV System



## Components



ATV Leg



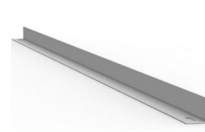
Expand Bolt



Mid Clamp



End Clamp



Strengthen Kit J35

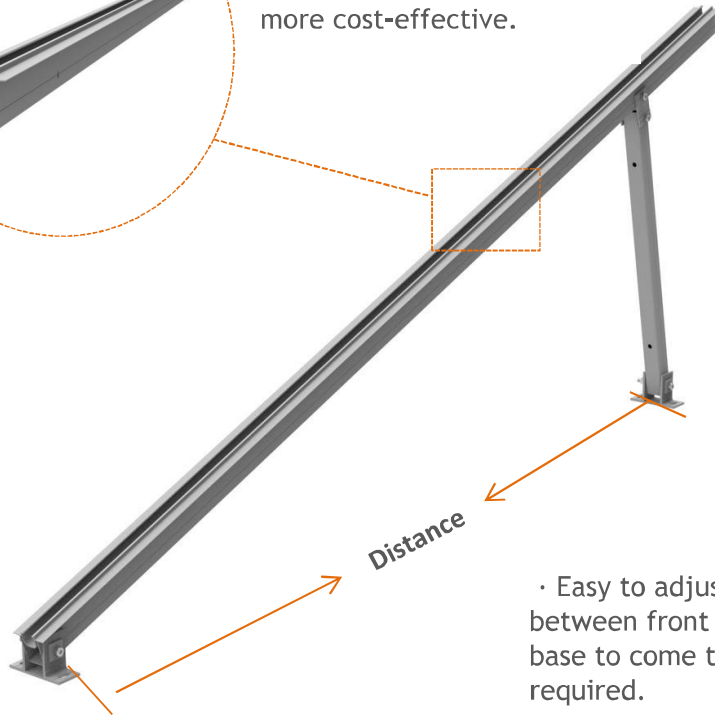
## Advantage

- Unique beam designed, one beam for place modules on two side
- Pre-assembled ATV legs for easy and quick to install
- Adjustable tilt angle from 10 to 30 degree, flexibility for different inclination
- Flexibility for long or short rows arrays
- Flexibility for 1/2/3/4 panles landscape arrays

## Unique Feature



· Easy to place solar modules on the ATV leg beams' two side. Longer module arrays placed, price more cost-effective.



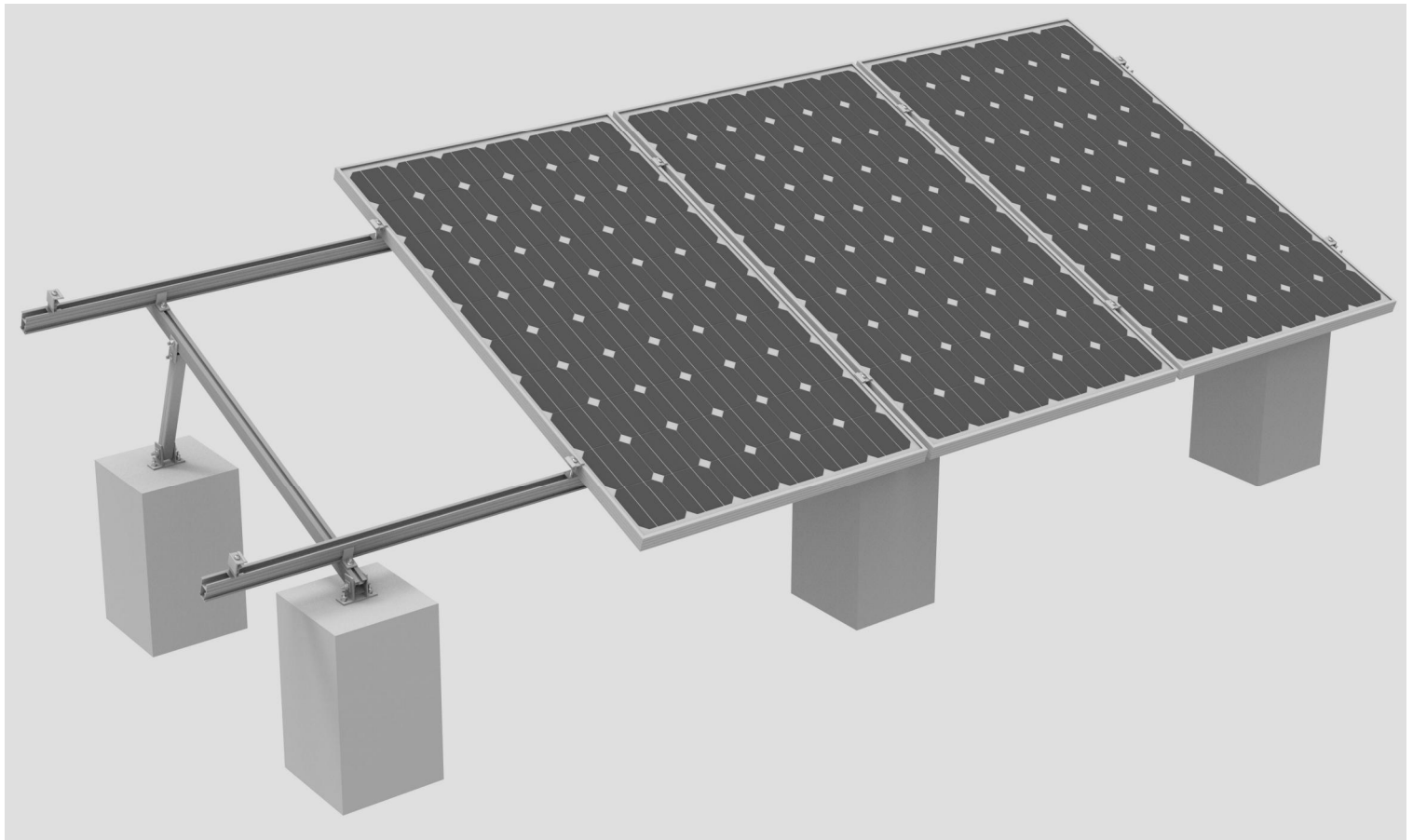
· Easy to adjust the distance between front base and back base to come to the inclination required.

- Item No.:WQ-ATV-1030
- Angle Adjustable Range : 10 to 30 deg
- Workable for modules:
  - Length : 1960 to 2400 mm
  - Width: 900 to 1200 mm
  - Thickness: 30 to 40 mm

## Technical Data

Product name	ATV Mount System
Application	Flat concrete roof
Inclination	Standard or customized
Material	Aluminum 6005 T5
Finish	Anodized clear, average 12um
PV module	Framed
Module size	Small and Big modules
Module orientation	2/3/4 modules landscape
Module direction	South , North

# APAT System



## Components



TR Rail



Rail Splice



Mid Clamp



End Clamp



Rail Fix Kit



Expand Bolt

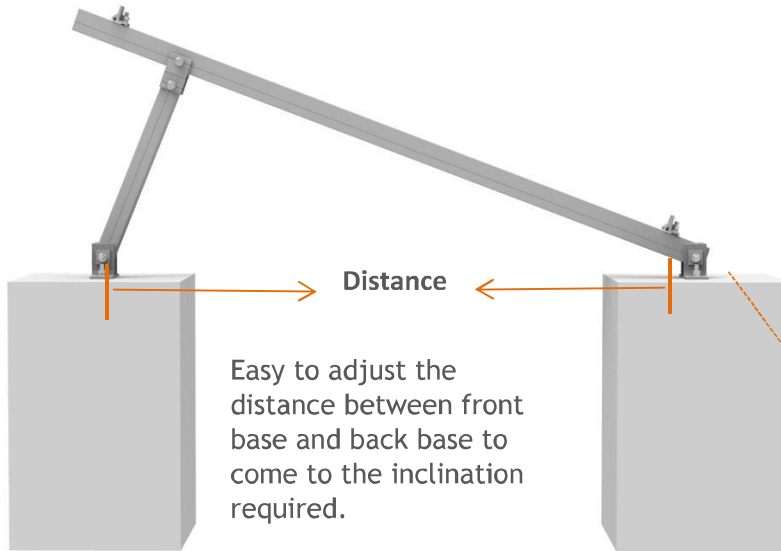


APAT Leg

## Advantage

- Adjustable tilt angle from 10 to 30 degree, flexibility for different inclination
- Pre-assembled APAT legs for easy and quick to install
- Ballasted with concrete foundation or directly use on flat concrete roof
- Universal mid and end clamp for 30 to 40 mm thickness modules
- Flexibility for long or short rows arrays

## Unique Feature



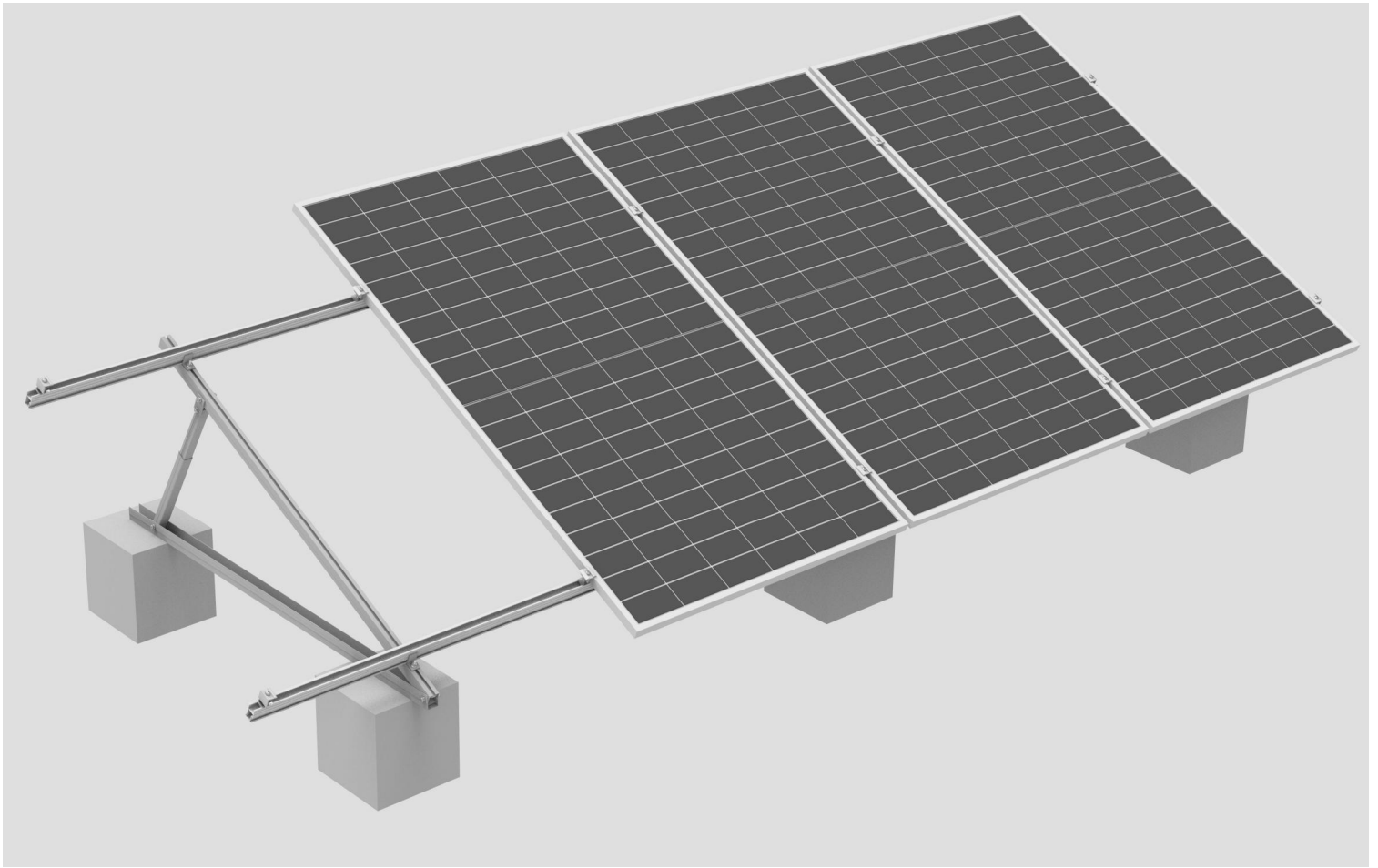
- Item No.:WQ-APAT-1030
- Angle Adjustable Range : 10 to 30 deg
- Workable for modules:
  - Length : 1960 to 2400 mm
  - Width: 900 to 1200 mm
  - Thickness: 30 to 40 mm

Customized inclination is workable !

## Technical Data

Product name	APAT Mount System
Application	Flat concrete roof
Inclination	Standard or customized
Material	Aluminum 6005 T5
Finish	Anodized clear, average 12um
PV module	Framed
Module size	Small and Big modules
Module orientation	Portrait
Module direction	South , North

# PAT System



## Components



TR Rail



Rail Splice



Mid Clamp



End Clamp



Rail Fix Kit



Expand Bolt



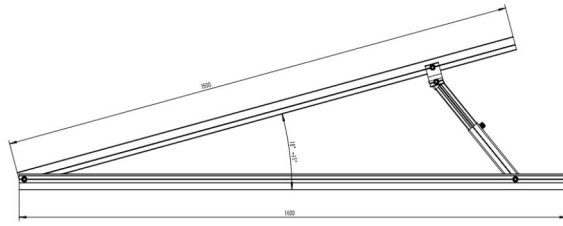
PAT Leg

## Advantage

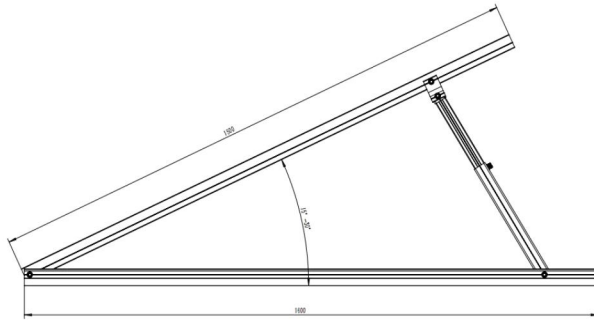
- Unique transfer kit design on PAT legs, stronger support ability
- Pre-assembled PAT legs for easy and quick to install
- Easy and flexibility to used on flat metal sheet roof
- Universal mid and end clamp for 30 to 40 mm thickness modules
- Flexibility for long or short rows arrays



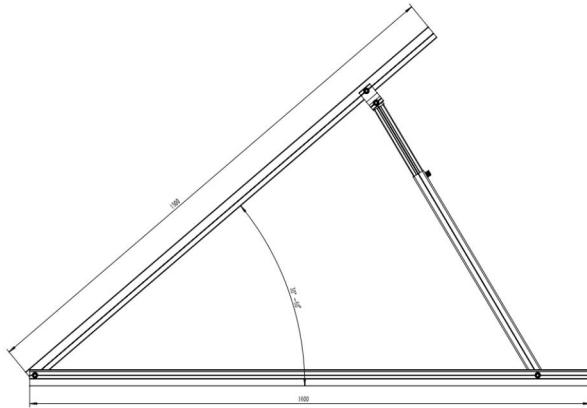
## Unique Feature



10-15 deg adjustable



15-30 deg adjustable

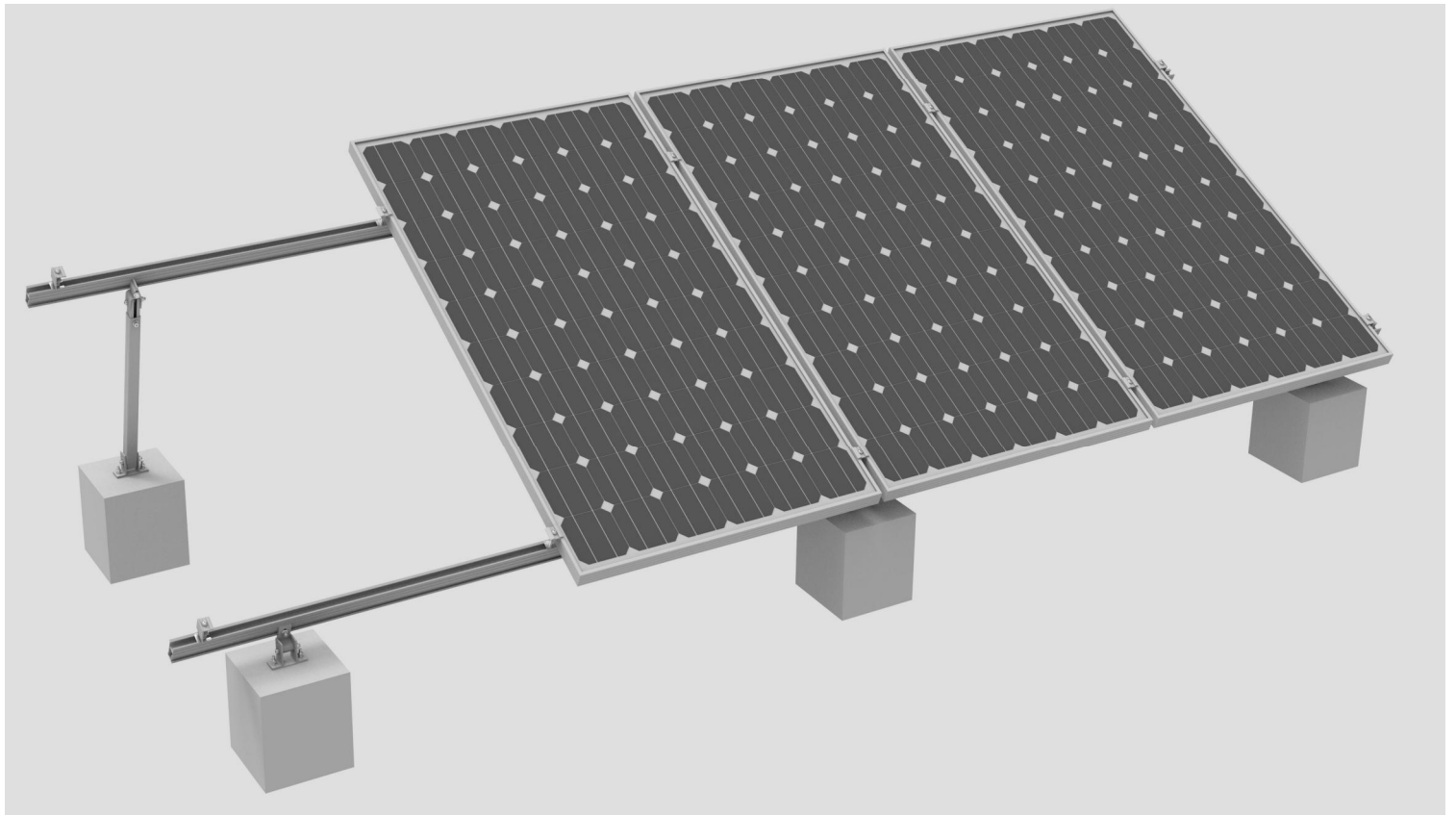


30-60 deg adjustable

## Technical Data

Product name	PAT Mount System
Application	Flat metal sheet and flat concrete concrete roof
Inclination	10-15/ 15-30 / 30-60 deg adjustable
Material	Aluminum 6005 T5
Finish	Anodized clear, average 12um
PV module	Framed
Module size	Small and Big modules
Module orientation	Portrait and landscape
Module direction	South , North

# Adjustable Tilt System



## Components



TR Rail



Rail Splice



Mid Clamp



End Clamp



Adjustable front  
Leg



Adjustable Back  
Leg

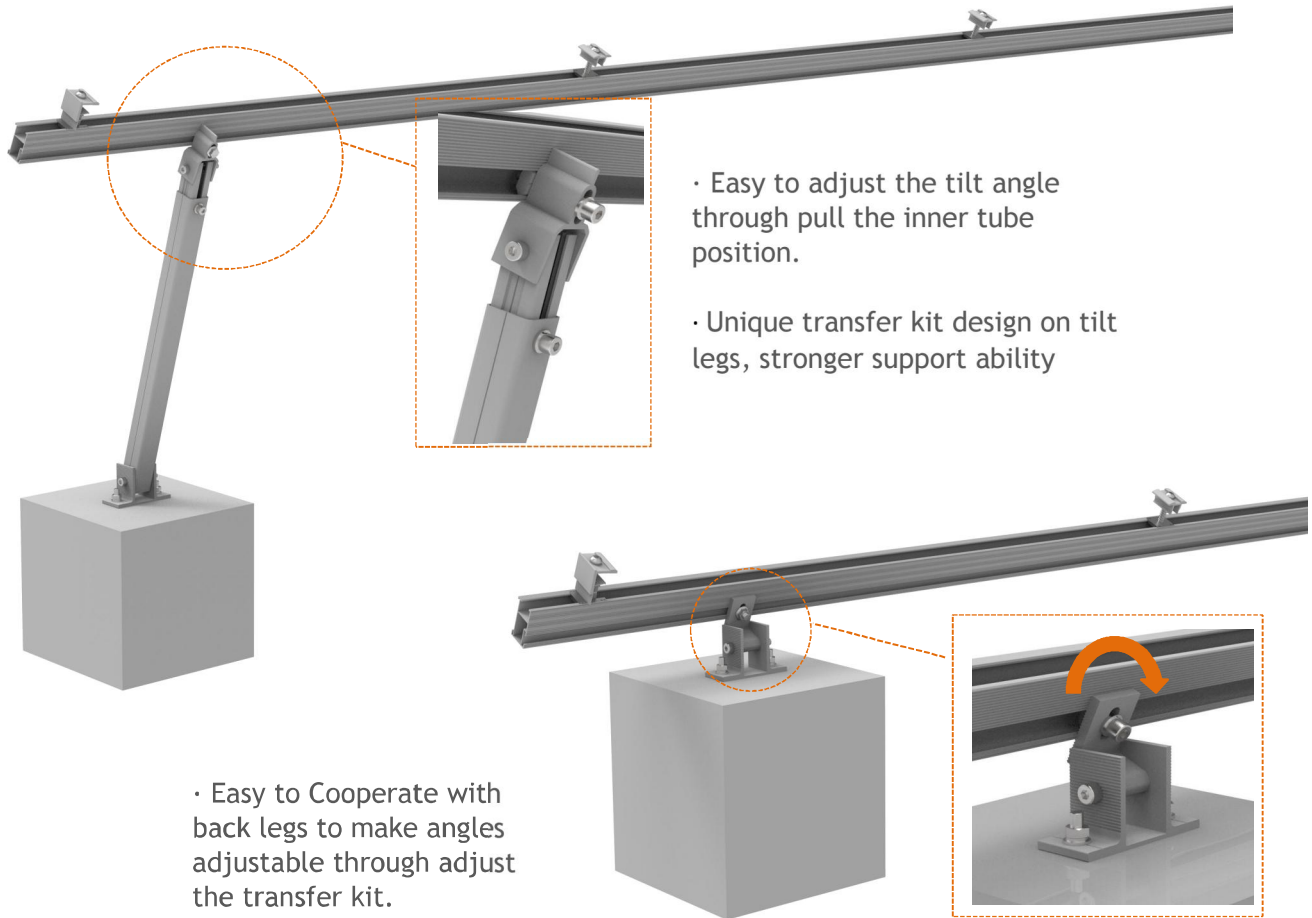


Expand Bolt

## Advantage

- Easy and flexibility to make angle adjustable
- Pre-assembled Tilt legs for easy and quick to install
- Unique transfer kit design on tilt legs, stronger support ability
- Universal mid and end clamp for 30 to 40 mm thickness modules
- Flexibility for long or short rows arrays

## Unique Feature



- Easy to adjust the tilt angle through pull the inner tube position.

- Unique transfer kit design on tilt legs, stronger support ability

- Easy to Cooperate with back legs to make angles adjustable through adjust the transfer kit.

## Technical Data

Product name	Adjustable Tilt System
Application	Flat metal sheet and flat concrete concrete roof
Inclination	10-15/ 15-30 / 30-60 deg adjustable
Material	Aluminum 6005 T5
Finish	Anodized clear, average 12um
PV module	Framed
Module size	Small and Big modules
Module orientation	Portrait and landscape
Module direction	South , North

# Eazy Balcony System



## Components



Balcony Mount  
Hook



Adjustable Rear  
Leg: Silver

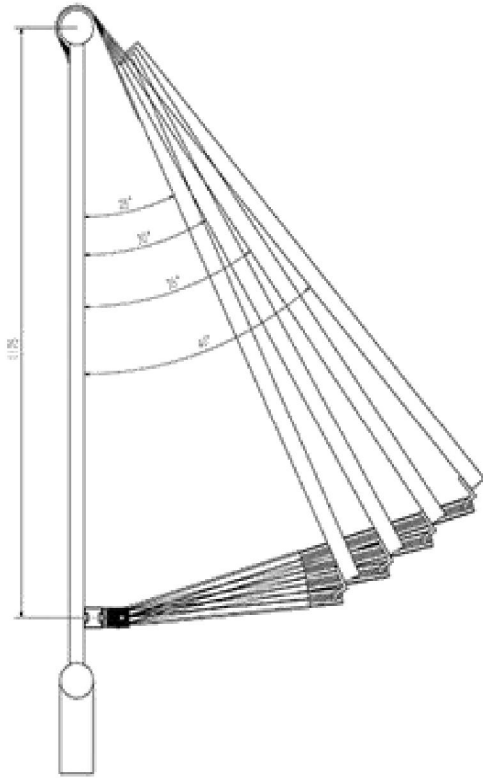


Back Balcony  
Support Kit: Silver

## Advantage

- Easy kits for installing 1 panel
- All components are pre-installed
- All components packed in 1 carton, easy to handle and sale for 1 panel installing
- Adjustable leg ensure suitable tilt angle to obtain maximum power generation
- Easy to adjust from 25 deg to 40 deg

## Unique Feature



Adjustable leg to achieve tilt angle

## Technical Data

Product name	Balcony Solar Mounting System
Application	Any Balcony
Inclination	25 deg to 40 deg
Material	Aluminum 6005 T5, SUS304
Finish	Anodized clear, average 12um
PV module	Framed
Module size	Small and Big modules
Module orientation	Landscape

# Triangular Balcony System



## Components



Balcony Structure



Hook

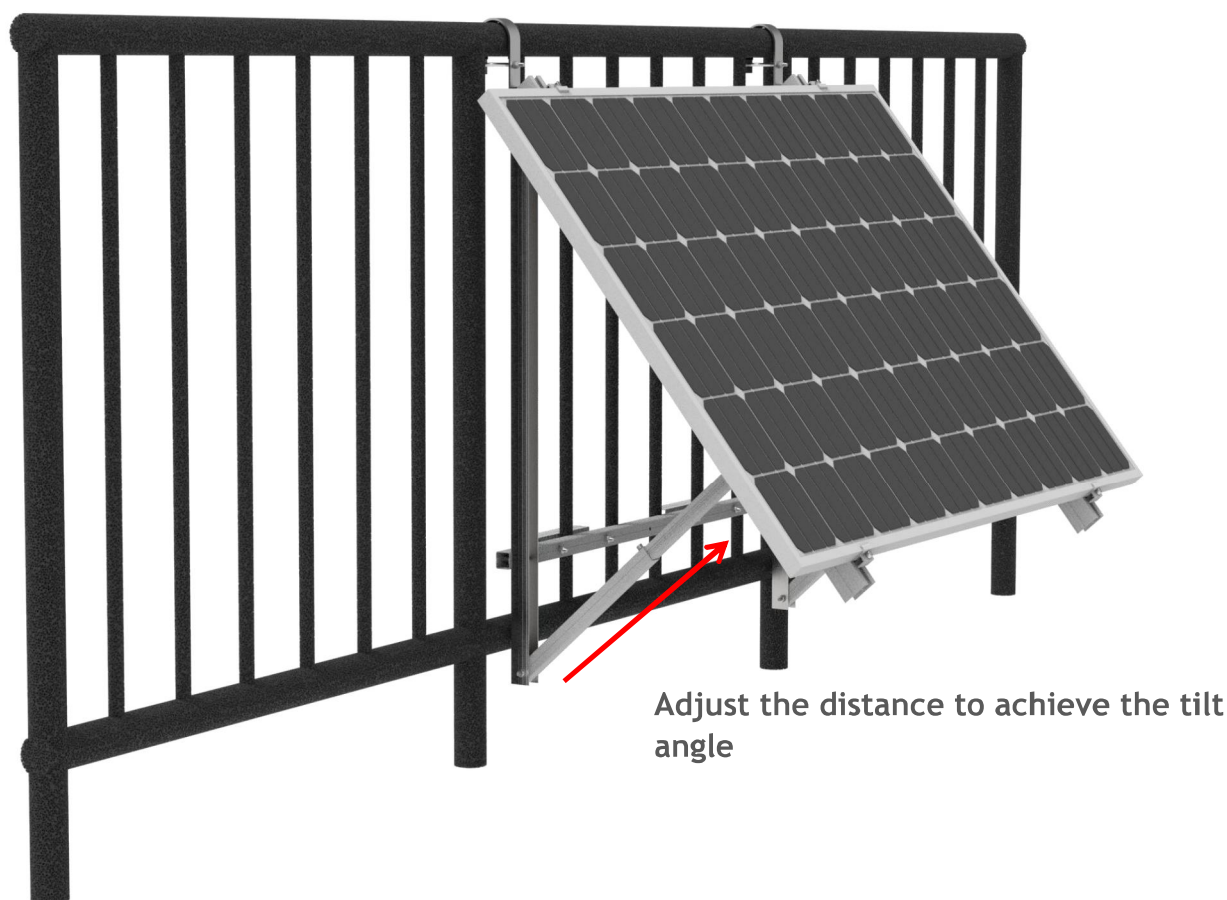


End clamp

## Advantage

- Easy kits for installing 1 panel
- All components are pre-installed
- Adjustable leg ensure suitable tilt angle to obtain maximum power generation
- Easy to adjust from 25 deg to 40 deg

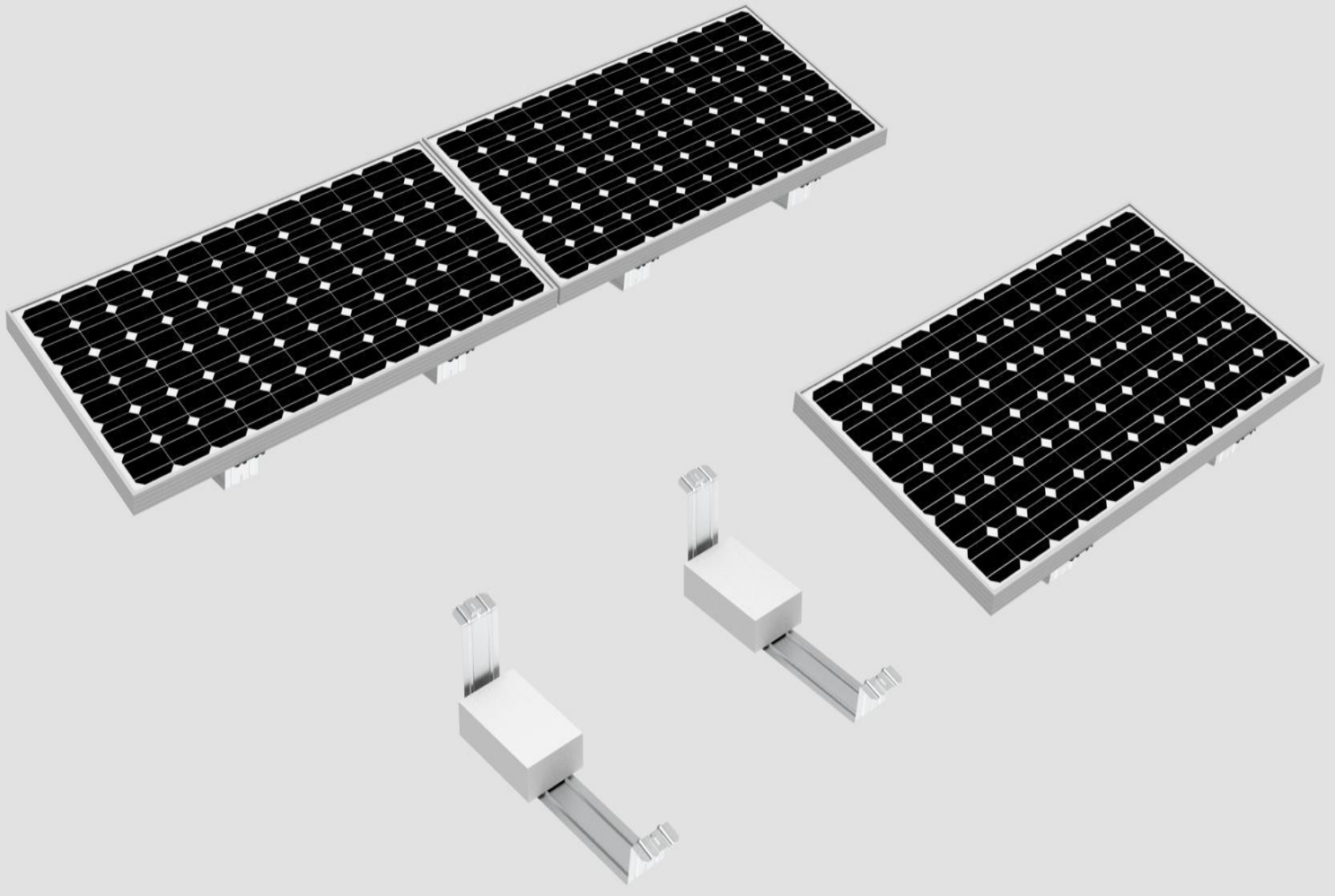
## Unique Feature



## Technical Data

Product name	Balcony Solar Mounting System
Application	Any Balcony
Inclination	25 deg to 40 deg
Material	Aluminum 6005 T5, SUS304
Finish	Anodized clear, average 12um
PV module	Framed
Module size	Small and Big modules
Module orientation	Landscape

# ECO N&S System



## Components



ECO Leg



M6 Hex Bolt



EPDM Pad

## Advantage

- Only two components
- Easy and quick to install
- Best idea for DIY installation
- Use the modules frame hole to fix modules, perfect to protect the modules

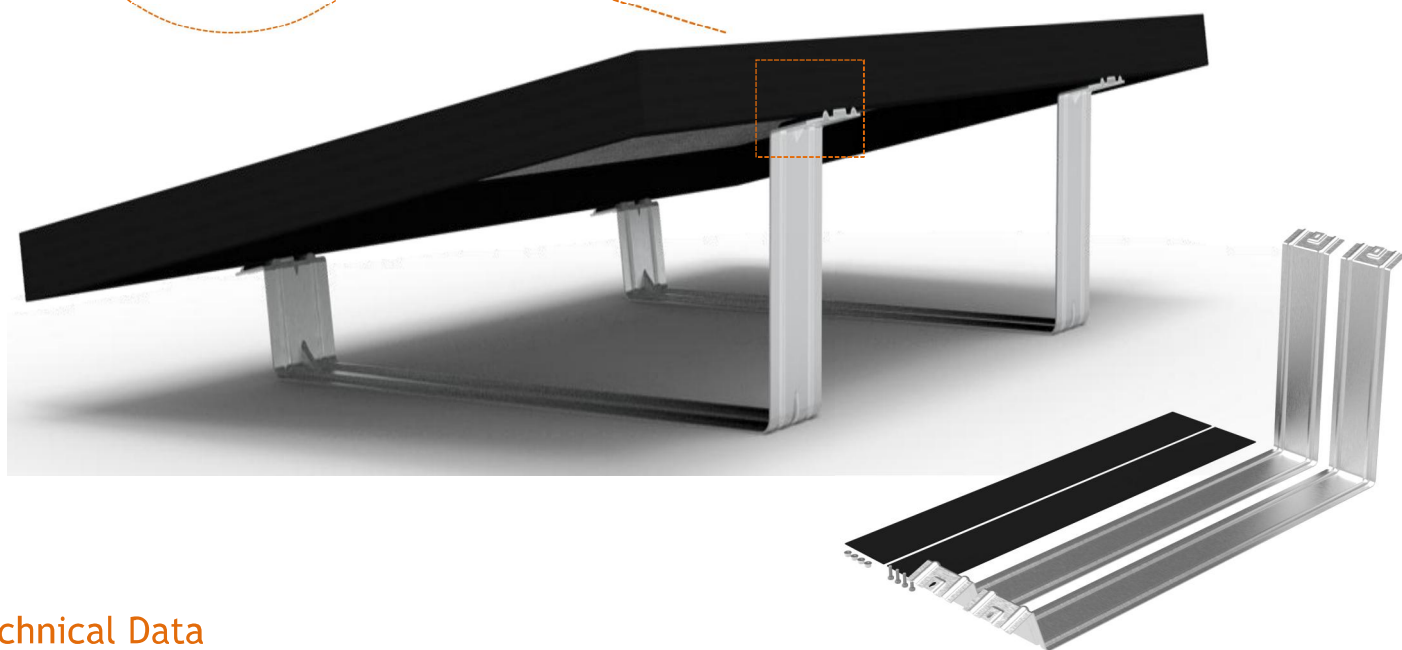


## Unique Feature



• Easy to fix solar module with frame hole and ECO leg hole, only one M6 bolt could workable !

Item No.	Tilt	Workable Modules
WQ-ECO-995	10° / 20° / 30°	Width:890-1000 mm
WQ-ECO-1050	10° / 20° / 30°	Width:1038-1058 mm
WQ-ECO-1109	10° / 20° / 30°	Width:1086-1106 mm
WQ-ECO-1134	10° / 20°	Width:1124-1144 mm



## Technical Data

Product name	ECO N/S Mount System
Application	Flat concrete roof
Inclination	10 / 20 / 30 deg
Material	Aluminum
Finish	Nature
PV module	Framed
Module size	Small and Big modules
Module orientation	landscape
Module direction	South , North

# ECO W/E System

---



## Components



ECO Leg



M6 Hex Bolt



Shot connector



Long connector



TPO/PVC Roof Attachment



5L Rail

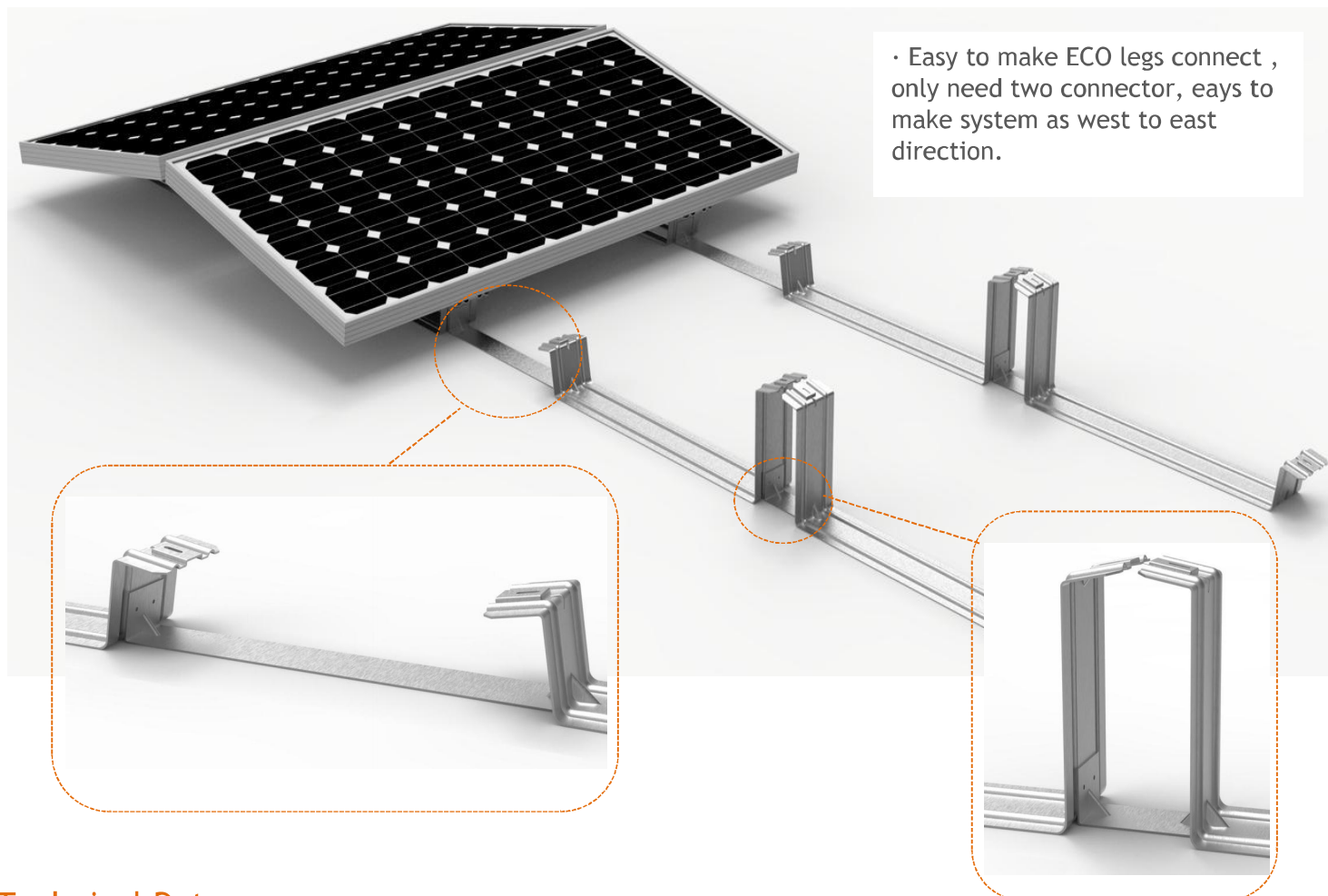


EPDM Pad

## Advantage

- East to west installation
- Easy and quick to install
- Best idea for DIY installation
- Use the modules frame hole to fix modules, perfect to protect the modules

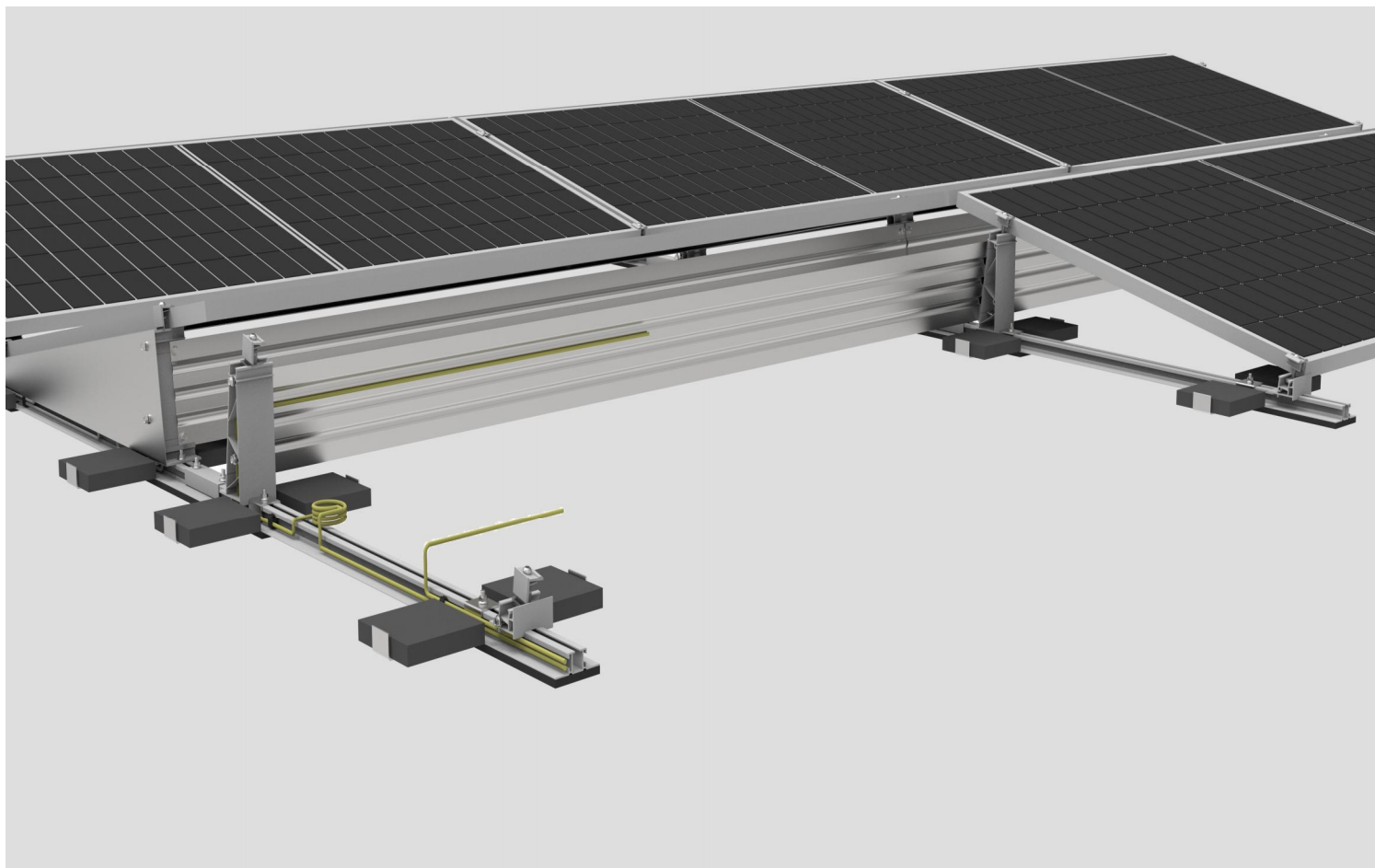
## Unique Feature



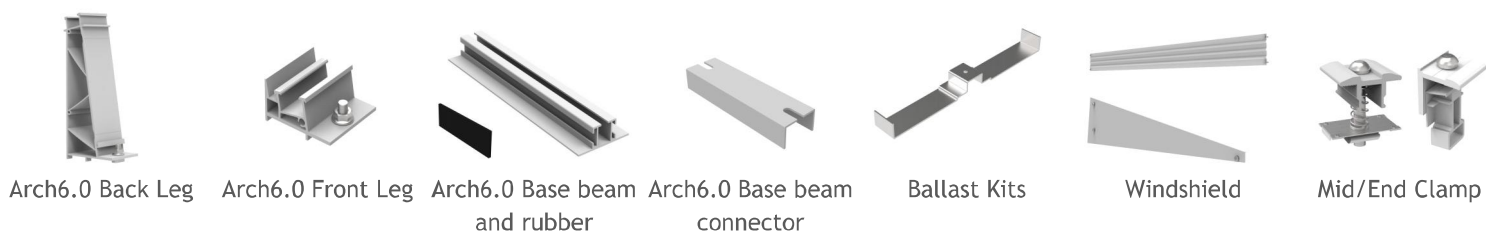
## Technical Data

Product name	ECO W/E Mount System
Application	Flat concrete roof
Inclination	10 / 20 / 30 deg
Material	Aluminum
Finish	Nature
PV module	Framed
Module size	Small and Big modules
Module orientation	landscape
Module direction	West to East

# Arch 6.0 System



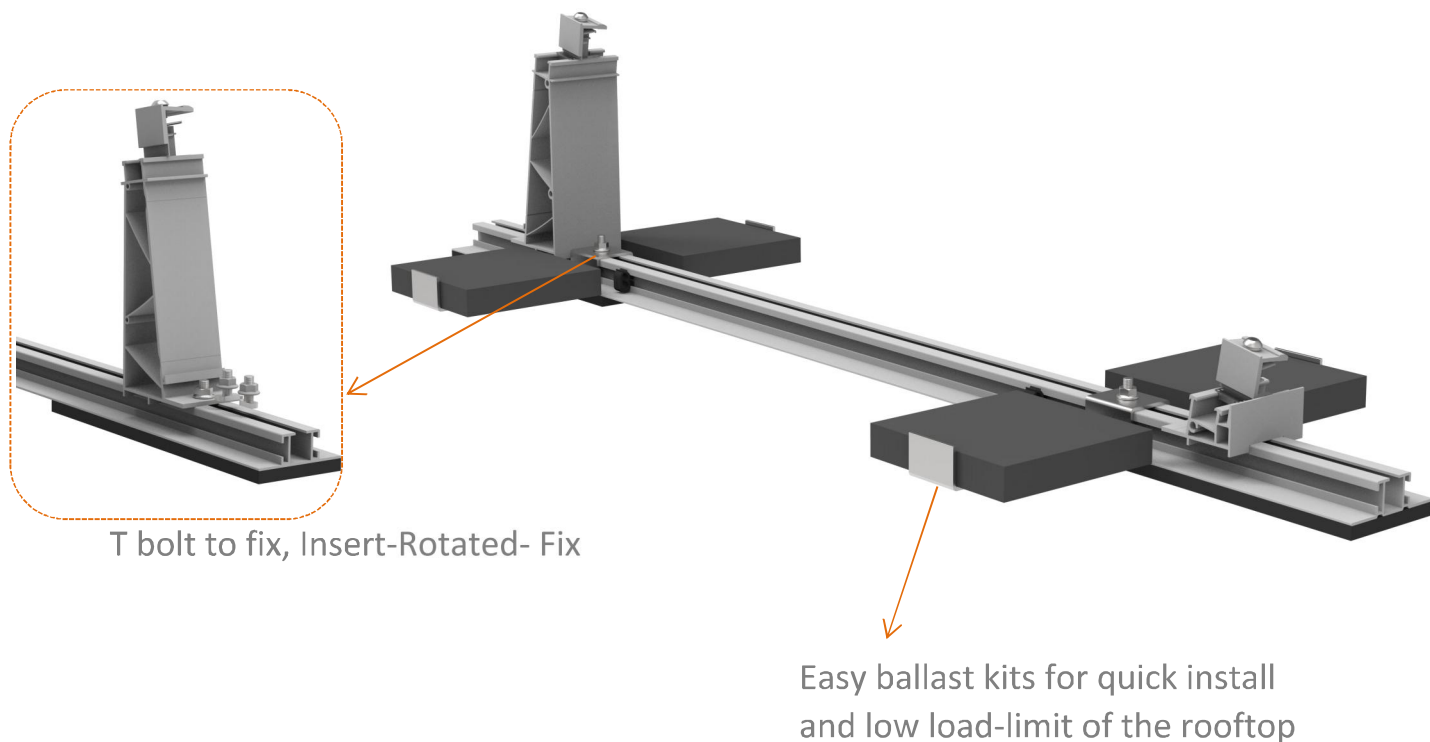
## Components



## Advantage

- East to west installation
- Easy and quick to install
- Traditional Angle aluminium to palace ballast, weight loading spread each site of roof, protect roof well.
- Strong force loading to load big modules
- Universal mid and end clamp for 30 to 40 mm thickness modules

## Unique Feature



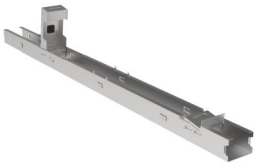
## Technical Data

Product name	Arch 6.0 Mount System
Application	Flat TPO/PVC roof
Inclination	10 deg or customized
Material	Aluminum 6005 T5
Finish	Anodized clear, average 12um
PV module	Framed
Module size	Big modules
Module orientation	landscape
Module direction	N/S OR W/E

# Ballast Pro 1.0 System



## Components



Base Beam with support leg



Base beam connector



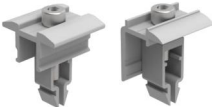
Plastic base



Side Windshield



Back Windshield

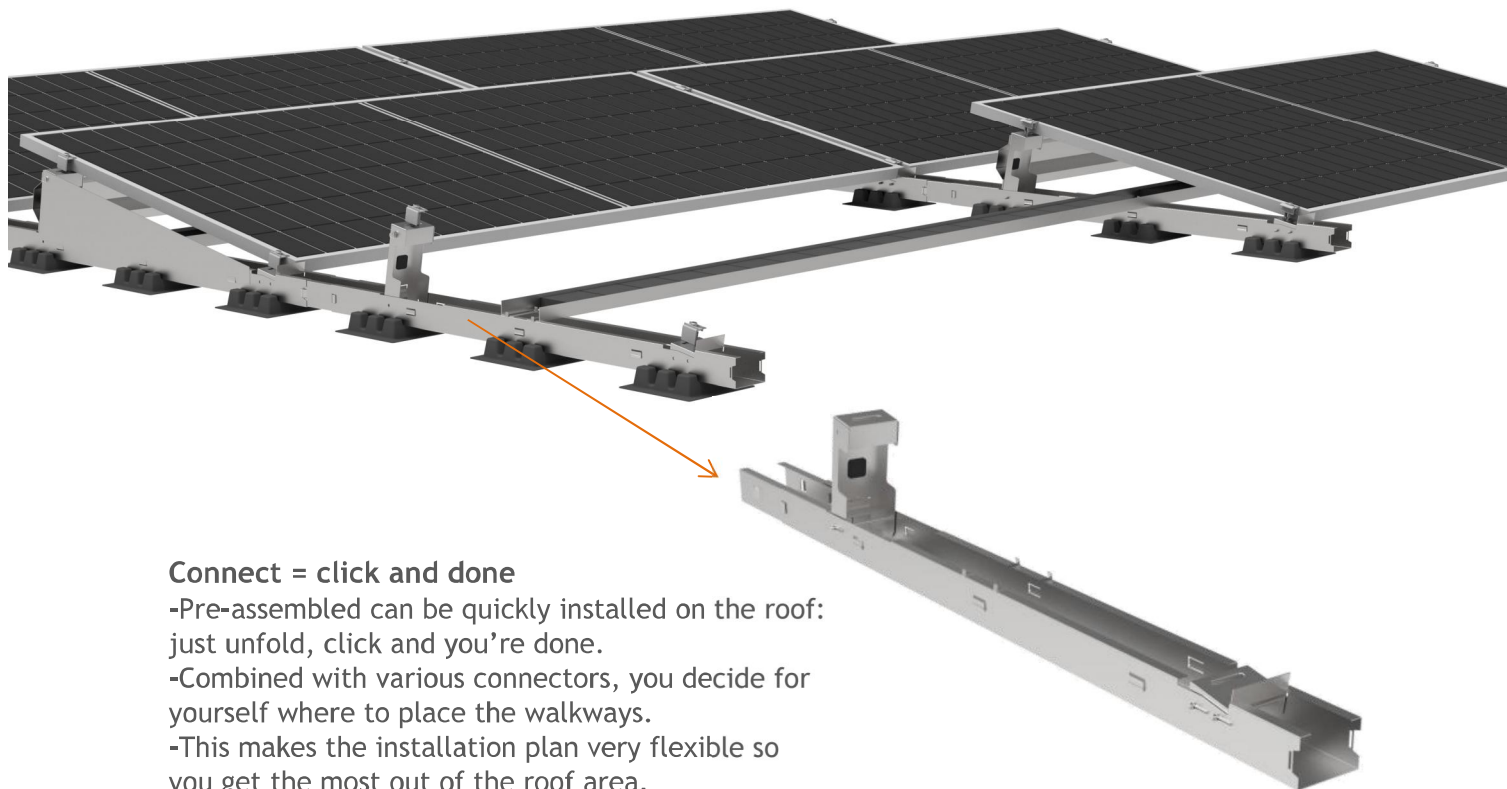


Mid/End Clamp

## Advantage

- N/S or W/E installation
- Easy and quick to install
- Fast fix ballast base on base beam, and lower load required
- Universal mid and end clamp for 30 to 40 mm thickness modules

## Unique Feature



### Connect = click and done

- Pre-assembled can be quickly installed on the roof: just unfold, click and you're done.
- Combined with various connectors, you decide for yourself where to place the walkways.
- This makes the installation plan very flexible so you get the most out of the roof area.

## Technical Data

Product name	Ballast Pro1.0 Mount System
Application	Flat TPO/PVC roof
Inclination	10 deg or customized
Material	Magnelis steel
Finish	Anodized clear, average 12um
PV module	Framed
Module size	Big modules
Module orientation	landscape
Module direction	N/S or W/E

# Easy To Mount PV System



## Wochn Green Energy Co.,Ltd

Add: Xicen Building 349, Qingpu District, Shanghai,China

Tel: 0086-21-39519802

Mob: 0086-15721481648

Email: [sales@wochnmount.com](mailto:sales@wochnmount.com)

Web: [www.wochnmount.com](http://www.wochnmount.com)

**WOCHN**  
EASY MOUNTING SYSTEMS