

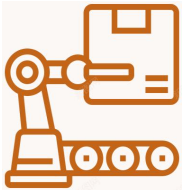
Pitch Roof Solar Mounting System

2025 Version-1

- Premium materials
- Precision without cutting
- Pre-assembled & height adjustable
- Full warranties & first-class service
- All improved & patented

Content

Rail system	1-4
L foot	5
Hanger bolt	6-7
T Attachment	8
Mini Rail	9-10
Standing seam clamps	11-21
Adjustable Tilt Mount	22
Tile Roof Attachments	23-40
Asphalt Shingles Attachment	41
TPO/PVC Roof Attachment	42
Earthing Accessory	43
Solar Cable Clip	44
Solar Connector	45
Solar Cable	46
Water Conducting Clip	47



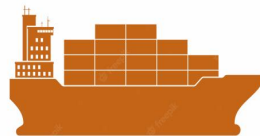
2GW+ annual output



15 years Experienced Team



Installed in 100+ Countries



Direct racking supply,
8GW shipment By 2024



OEM manufacturing and
designing ability depend on
AS1170, JISC, UL, SGS, TUV
standard



12000+ completed solar
plant

About us

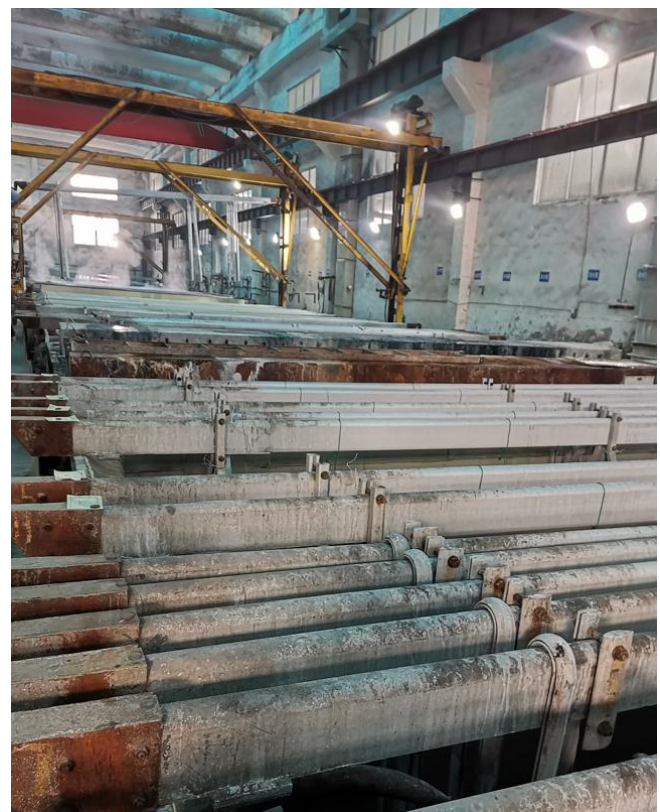
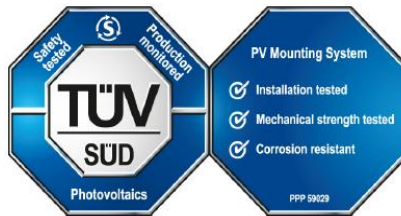
WOCHN Green Energy Co.,Ltd

WOCHN Energy is a high-tech company which specializes in designing, manufacturing, selling solar mounting system. Headquartered in Shanghai, WOCHN has invested two factories in Jiangsu & Zhejiang. WOCHN built partnerships with distributors overseas and keep expanding its sale network in worldwide.

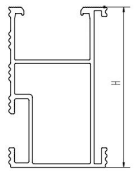
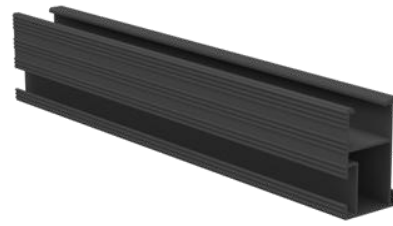
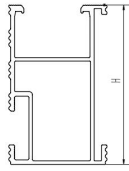
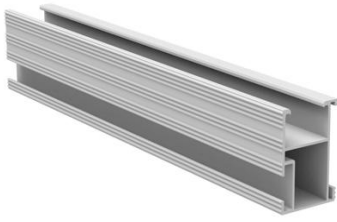
WOCHN's products and services have become synonymous with quality and innovation, delivering a wide range of solutions to the industry, its professional and friendly service is globally renowned by customers.

WOCHN offering innovative design and integrative settlement solution to our customers based on years of experiences on design, production and sale. We achieved good trust from customers because of our stable and excellent products. We will try our best to become a world leading level of solar photovoltaic systems integration solutions supplier.

WOCHN is committed to locally delivering a wide range of products and services: local distributor investigating at site, delivering goods soonest, offering the best after-sales service. Our customers count on us before, during and after the installation. You can rest assured that when you partner with

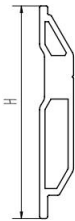
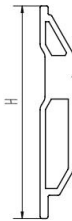


TR Rail System



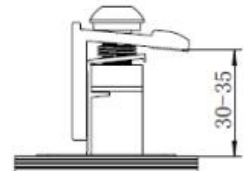
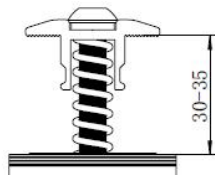
Code	Description	Color	Height	Length
WQ-TR45-S	T45 rail	Silver	45mm	4700mm, customize
WQ-TR50-S	T50 rail	Silver	50mm	
WQ-TR55-S	T55 rail	Silver	55mm	

Code	Description	Color	Height	Length
WQ-TR45-B	T45 rail	Black	45mm	4700mm, customize
WQ-TR50-B	T50 rail	Black	50mm	
WQ-TR55-B	T55 rail	Black	55mm	



Code	Description	Color	Height	Length
WQ-TR45-S	T45 rail splice	Silver	42mm	150 mm
WQ-TR50-S	T50 rail splice	Silver	47mm	
WQ-TR55-S	T55 rail splice	Silver	52mm	

Code	Description	Color	Height	Length
WQ-TR45-S	T45 rail splice	Black	42mm	150 mm
WQ-TR50-S	T50 rail splice	Black	47mm	
WQ-TR55-S	T55 rail splice	Black	52mm	



Code	Description	Color	Adjustable
WQ-TRM-3035-S	TR Mid Clamp	Silver	30-35 mm
WQ-TRM-3035-B	TR Mid Clamp	Black	30-35 mm

Code	Description	Color	Adjustable
WQ-TRE-3035-S	TR End Clamp	Silver	30-35 mm
WQ-TRE-3035-B	TR End Clamp	Black	30-35 mm

Related Components



Code: WQ-TB20-0825
20 Head T Bolt M8*25



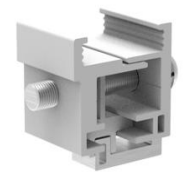
Code: WQ-TR-NK
TR nut kit



Code: WQ-TR-GL
TR grounding lug

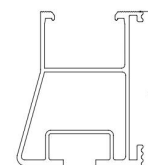
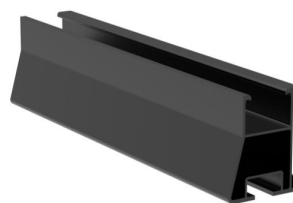
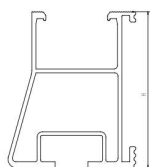


Code: WQ-TR-CA
TR rail common fix adapter



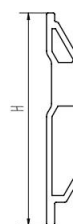
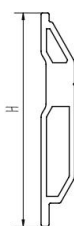
Code: WQ-TR-RA
TR rail rotate fix adapter

TRB Rail System



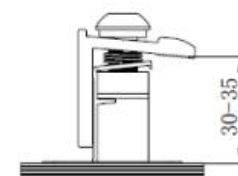
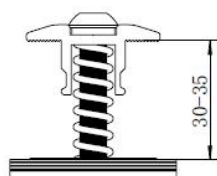
Code	Description	Color	Height	Length
WQ-TRB45-S	TRB45 rail	Silver	45mm	4700mm, customize
WQ-TRB50-S	TRB50 rail	Silver	50mm	
WQ-TRB55-S	TRB55 rail	Silver	55mm	

Code	Description	Color	Height	Length
WQ-TRB45-B	TRB45 rail	Black	45mm	4700mm, customize
WQ-TRB50-B	TRB50 rail	Black	50mm	
WQ-TRB55-B	TRB55 rail	Black	52mm	



Code	Description	Color	Height	Length
WQ-TR45-S	T45 rail splice	Silver	42mm	150 mm
WQ-TR50-S	T50 rail splice	Silver	47mm	
WQ-TR55-S	T55 rail splice	Silver	52mm	

Code	Description	Color	Height	Length
WQ-TR45-B	T45 rail splice	Black	42mm	150 mm
WQ-TR50-B	T50 rail splice	Black	47mm	
WQ-TR55-B	T55 rail splice	Black	52mm	



Code	Description	Color	Adjustable
WQ-TRM-3035-S	TR Mid Clamp	Silver	30-35 mm
WQ-TRM-3035-B	TR Mid Clamp	Black	30-35 mm

Code	Description	Color	Adjustable
WQ-TRE-3035-S	TR End Clamp	Silver	30-35 mm
WQ-TRE-3035-B	TR End Clamp	Black	30-35 mm

Related Components



Code:WQ-WLS-1025
Outer hexagon Bolt
M10*25



Code: WQ-TR-NK
TR nut kit



Code: TR grounding lug
TR grounding lug



Code	Description	Color	Height	Length
WQ-CRA45-S	CRA45 rail	Silver	45mm	4700mm, customize
WQ-CRA45-B	CRA45 rail	Black	45mm	



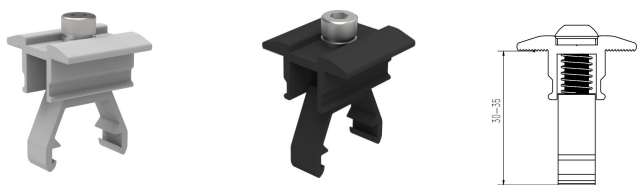
Code	Description	Color	Height	Length
WQ-CRB45-S	CRB45 rail	Silver	45mm	4700mm, customize
WQ-CRB45-B	CRB45 rail	Black	45mm	



Code	Description	Color	Height	Length
WQ-CRA45-RSK-S	CRA45 rail splice	Silver	42mm	150 mm
WQ-CRA45-RSK-B	CRA45 rail splice	Black	42mm	



Code	Description	Color	Height	Length
WQ-CRB45-RSK-S	CRB45 rail splice	Silver	34.5mm	150 mm
WQ-CRB45-RSK-B	CRB45 rail splice	Black	34.5mm	



Code	Description	Color	Adjustable
WQ-CRM-3035-S	CR Mid Clamp	Silver	30-35 mm
WQ-CRM-3035-B	CR Mid Clamp	Black	30-35 mm



Code	Description	Color	Adjustable
WQ-CRE-3035-S	CR End Clamp	Silver	30-35 mm
WQ-CRE-3035-B	CR End Clamp	Black	30-35 mm

Related Components

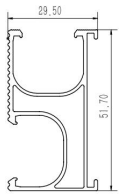
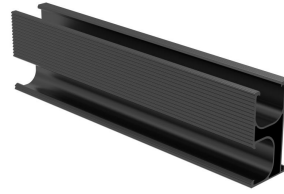
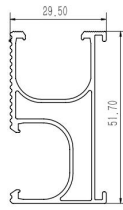
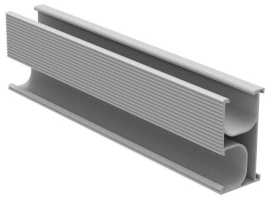


Code: WQ-CR-GL
TR grounding lug



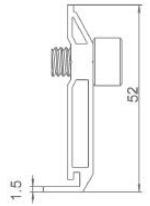
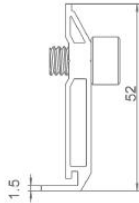
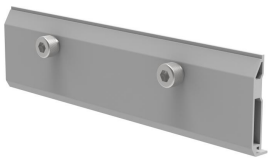
Code: WQ-CR-SRA
CR Rail Universal Fix Adapter

5L Rail System



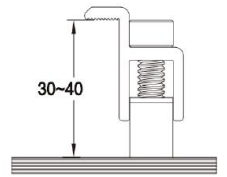
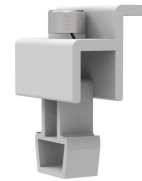
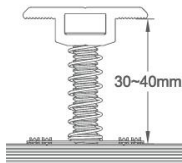
Code	Description	Color	Height	Length
WQ-BR5L-S	5L rail	Silver	52mm	4700mm, customize

Code	Description	Color	Height	Length
WQ-BR5L-B	BR 5L rail	Black	52mm	4700mm, customize



Code	Description	Color	Height	Length
WQ-BR5L-RSK-S	5L rail splice	Silver	52mm	150 mm

Code	Description	Color	Height	Length
WQ-BR5L-RSK-B	5L rail splice	Black	52mm	150 mm



Code	Description	Color	Adjustable
WQ-BRM-3040-S	BR Mid Clamp	Silver	30-40 mm
WQ-BRM-3040-B	BR Mid Clamp	Black	30-40 mm

Code	Description	Color	Adjustable
WQ-BRE-3040-S	BR End Clamp	Silver	30-40 mm
WQ-BRE-3040-B	BR End Clamp	Black	30-40 mm

Related Components



Code: WQ-BR-NK
TR nut kit



Code: WQ-BR-GL
BR grounding lug



Code: WQ-BR-CA
BR rail common fix adapter

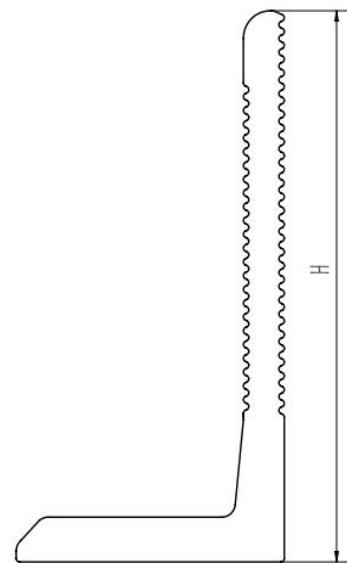


Code: WQ-AH-01

L foot comes with 2 applications:

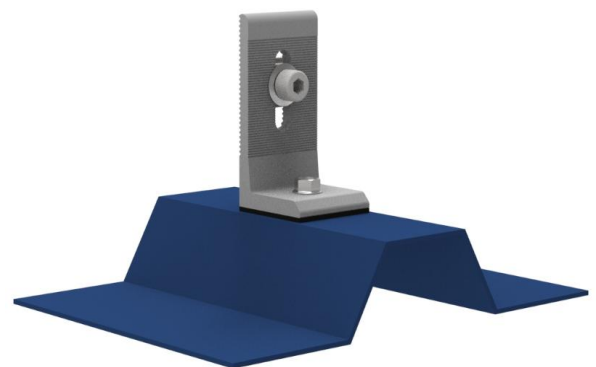
- 1: for trapezoidal sheet metal, corrugated sheet metal with a wooden screw or self-drilling screw.
- 2: Connection with standing seam clamps for standing seam roof with a flange screw M8 x 20mm

Specification

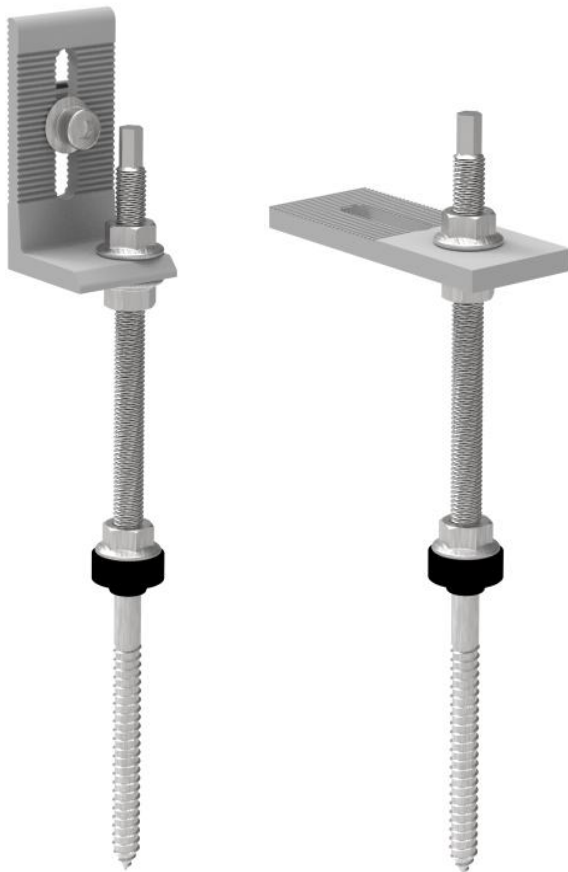


Unit: mm

Code	Height	Width
WQ-AH-01-Z-85	85	38
WQ-AH-01-Z-125	125	38
WQ-AH-01-Z-165	165	38



Component list			
	Quantity	Specification	Material
L feet	1	40*85/125/165	Aluminium 6005-T5
Wooden or self-drilling screw	1	M6.3*80	SUS401
EPDM Pad	1	40*38	EPDM
Nut kits Or T Bolt	1	Nut kits or T bolt	Alu 6005-T5 or SUS 304

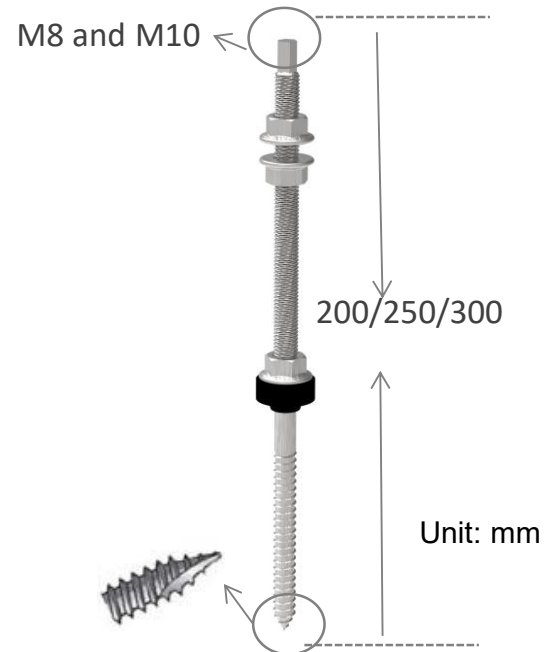


Code:WQ-SHW-03A

WQ-SHW-03B

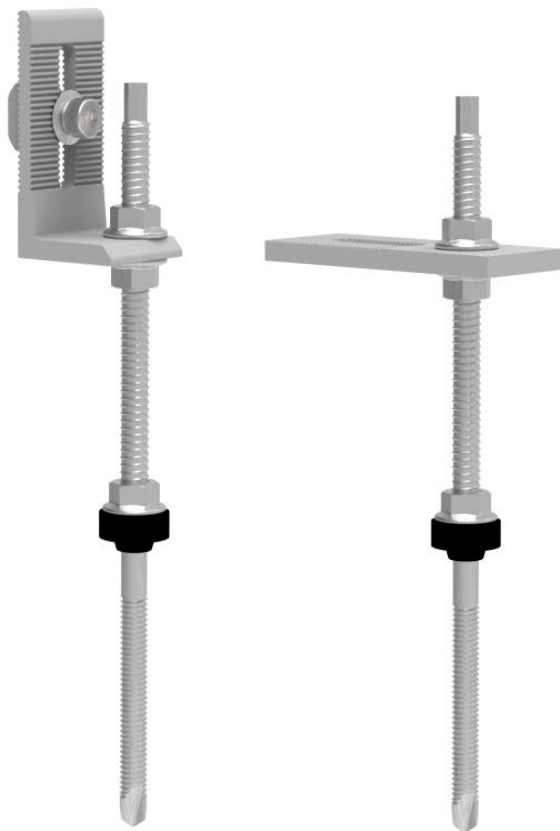
To suit:
For solar PV mounting on roofs with corrugated fibre cement, or sheet metal on timber substructures. Off set L feet or flat plate for different rail system, both M10 and M8 diameter for different thickness wooden substructures.

Specification

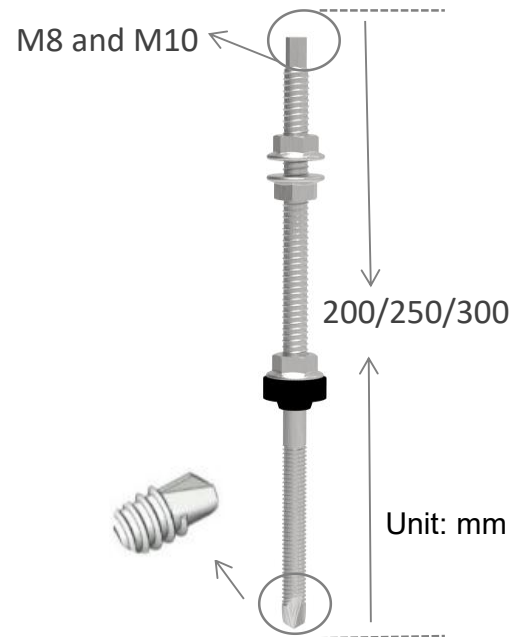


Component list

	Quantity	Specification	Material
Hanger bolt	1	M10 or M8*200/250/300,	SUS304
L feet (Option)	1	40*85	Aluminium 6005-T5
Flat plate (Option)	1	38*80	Aluminium 6005-T5
Flange Nut	3	M10 or M8	SUS 304
Nut kit,T bolt Or Rail Fix Adapter	1	Nut kits or T bolt	Alu 6005-T5 or SUS 304
EPDM Pad	1	Circle M10 or M8	EPDM

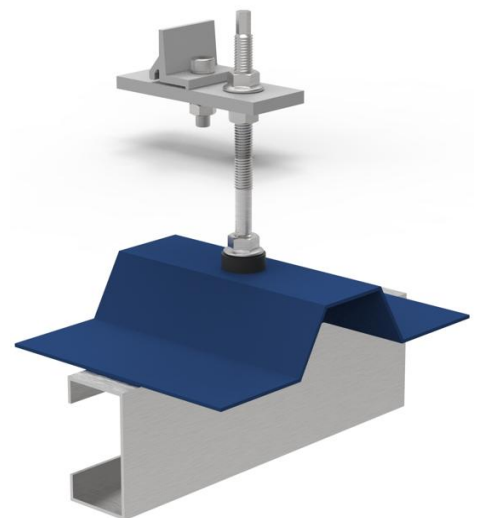


Specification



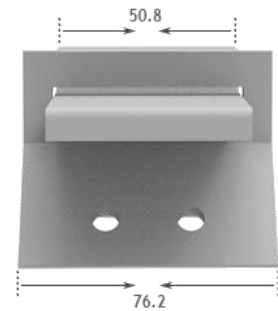
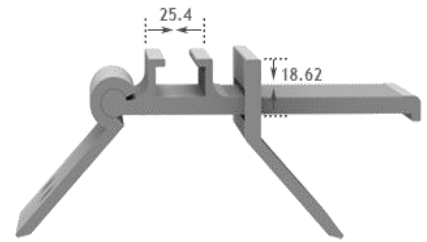
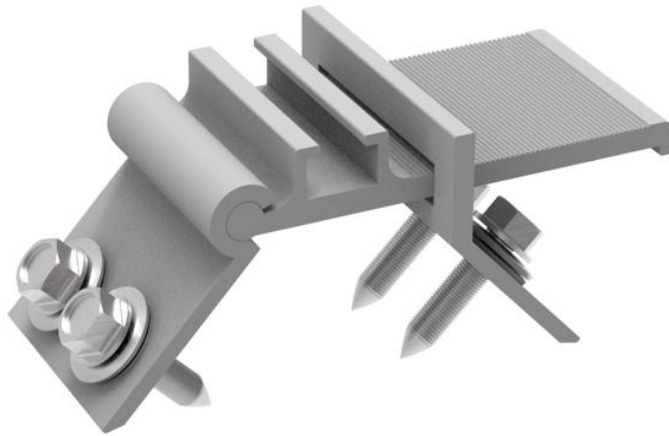
Code:WQ-SHS-03A WQ-SHS-03B

To suit:
For solar PV mounting on roofs with corrugated fibre cement, or sheet metal on timber substructures. Off set L feet or flat plate for different rail system, both M10 and M8 diameter for different thickness steel purlins, no need pre-drilling.



Component list			
	Quantity	Specification	Material
Hanger bolt	1	M10*200/250/300, M8*200	SUS410
L feet (Option)	1	40*85	Aluminium 6005-T5
Flat plate (Option)	1	38*80	Aluminium 6005-T5
Flange Nut	3	M10 or M8	SUS 304
Nut kit,T bolt Or Rail Fix Adapter	1	Nut kits or T bolt	Alu 6005-T5 or SUS 304
EPDM Pad	1	Circle M10 or M8	EPDM

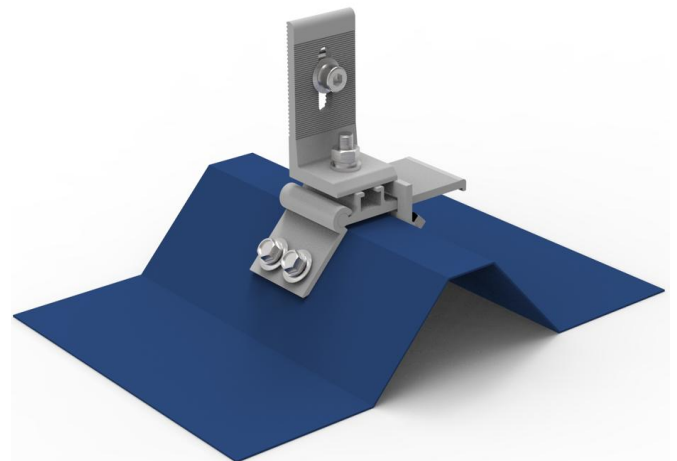
Specification



Unit: mm

Code: WQ-AC-24

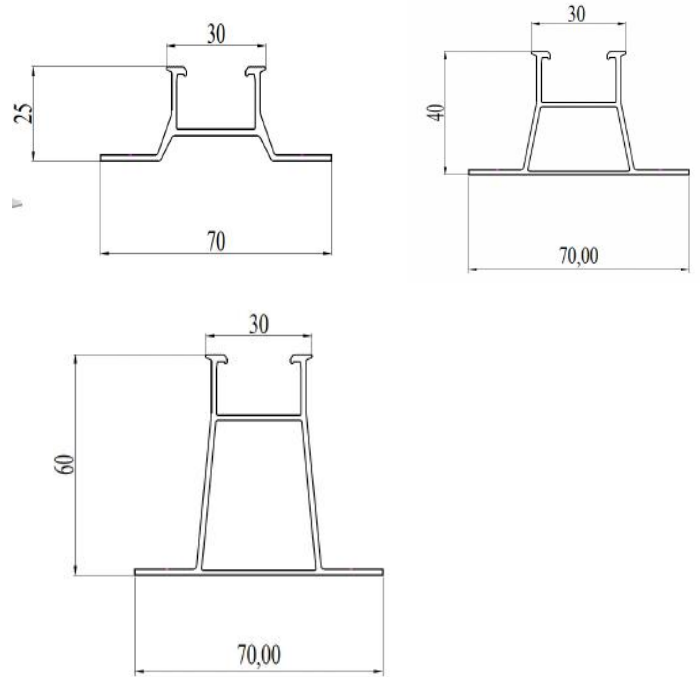
To suit:
Universal for any trapezoid metal sheet roofs.



Component list

	Quantity	Specification	Material
Clamp	1	/	Aluminium 6005-T5
Side screw	4	M6.3*25	SUS304
L foot	1	40*85	Aluminium 6005-T5
Nut kit, T bolt Or Rail Fix Adapter	1	Nut kits or T bolt	Alu 6005-T5 or SUS 304

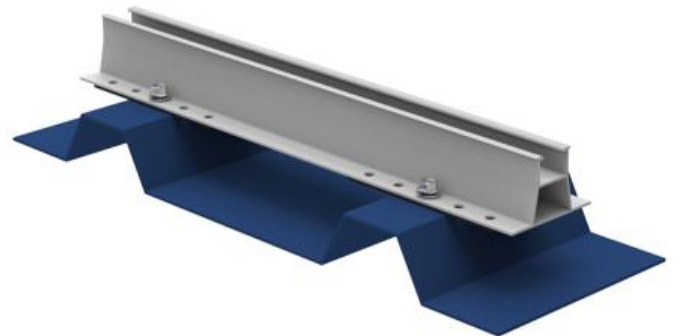
Specification



Code:
WQ-TRΠ-25
WQ-TRΠ-40
WQ-TRΠ-60

Unit: mm

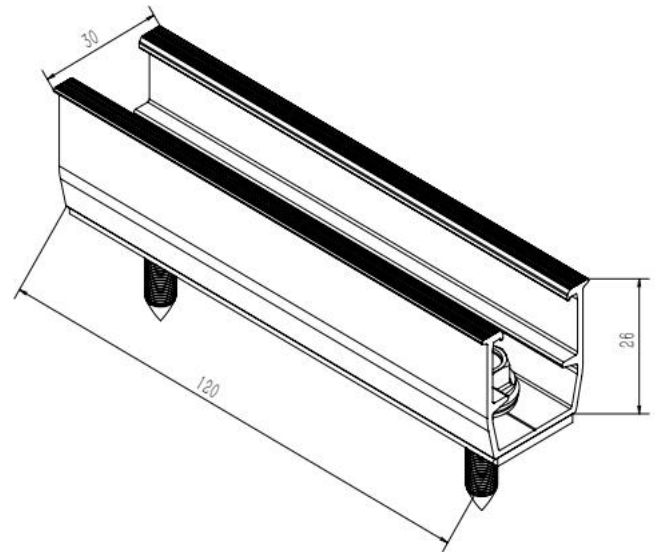
To suit:
 New Zealand Metalcraft Roofing Metdek 400/500 Roofing profiles with similar trapezoid sheet metal, sandwich panels roofs, corrugated iron roofs in different size.



PS: Customized length and customized hole position available

Component list			
	Quantity	Specification	Material
π Mini Rail	1	L=400mm or Customized	Aluminium 6005-T5
Self drilling screw	4	M5.5*30mm	Dacromet SUS401
EPDM Pad	4	120*17.6*2 mm	EPDM

Specification



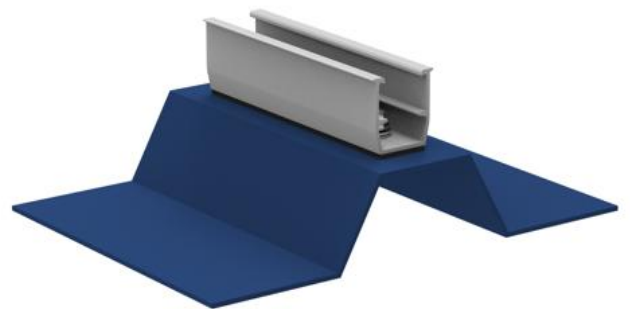
Code: WQ-TRU-30

Unit: mm

To suit:

Any types trapezoid sheet metal or corrugated sheet metal, sandwich panels roofs, corrugated iron roofs in different size

PS: Customized length and customized hole position available

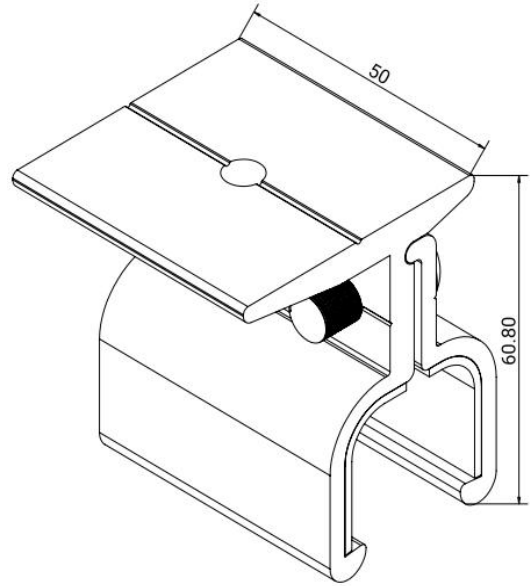


Component list			
	Quantity	Specification	Material
U Mini Rail	1	L=120mm or customized	Aluminium 6005-T5
Self drilling screw	2	M5.5*30mm	Dacromet SUS401
EPDM Pad	1	120*21*2 mm	EPDM

Standing Seam Clamp

-Lysaght Klip-lok 700 Clamp

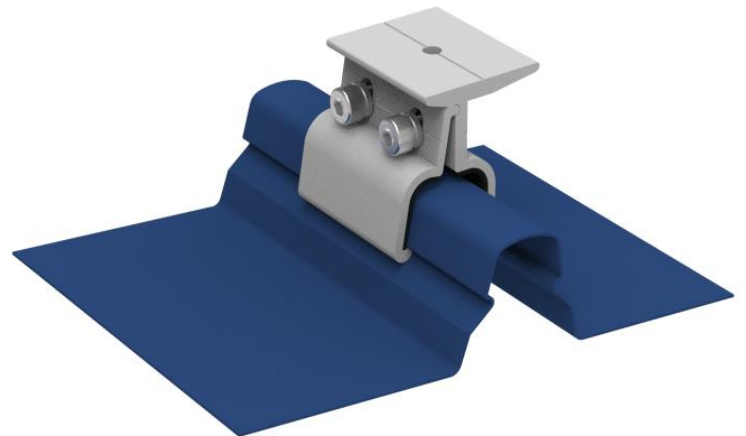
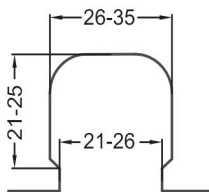
Specification



Unit: mm

Code: WQ-AC-02

To suit:
Lysaght Klip-lok 700, speed deck ultra and roofing profiles with similar dimension.

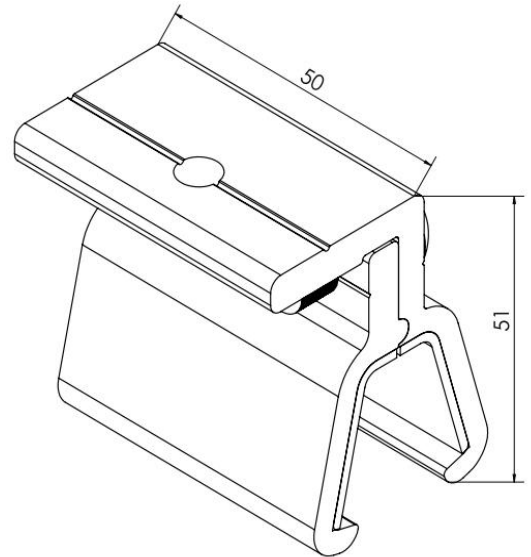


Component list			
	Quantity	Specification	Material
Clamp	1	60*50	Aluminium 6005-T5
Side screw	2	M8*20	SUS304
EPDM pad	1	61*52	EPDM
Top screw	1	M8*25	SUS304

Standing Seam Clamp

-Lysaght Klip-lok 406 Clamp

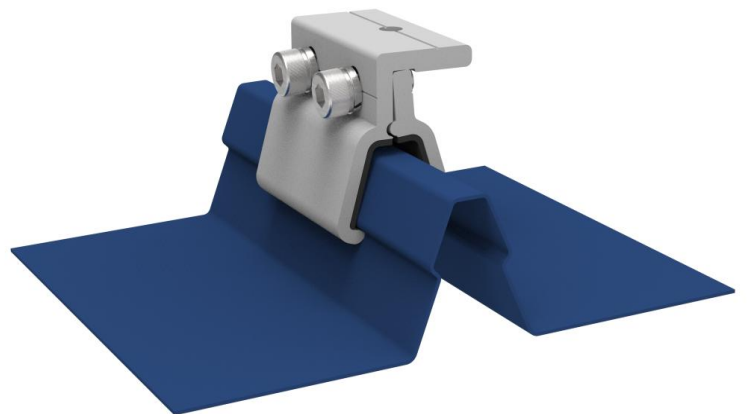
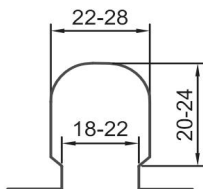
Specification



Unit: mm

Code: WQ-AC-03

To suit:
Lysaght Klip-lok406, Kingclip 406
Roofing profiles with similar dimension.

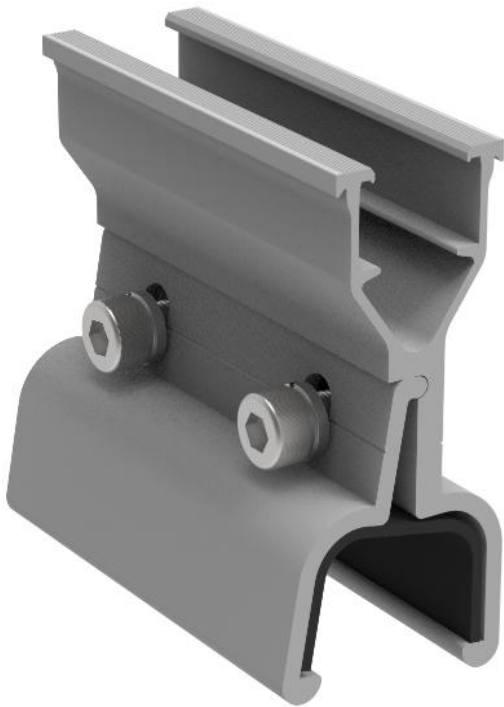


Component list

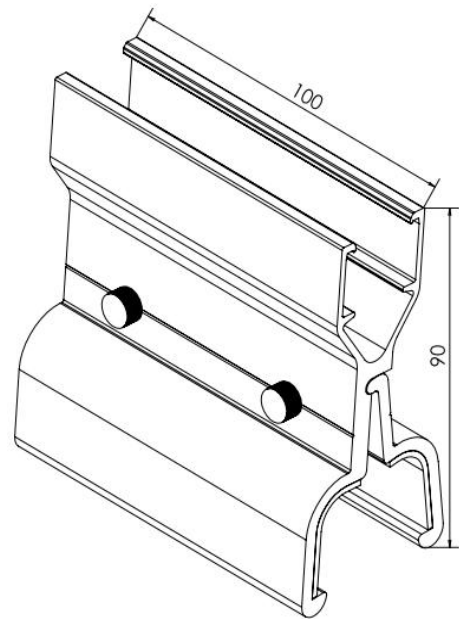
	Quantity	Specification	Material
Clamp	1		Aluminium 6005-T5
Side screw	2	M8*20	SUS304
EPDM pad	1	58*50	EPDM
Top screw	1	M8*25	SUS304

Standing Seam Clamp

-Rail-less Lysaght Klip-lok 700 Clamp



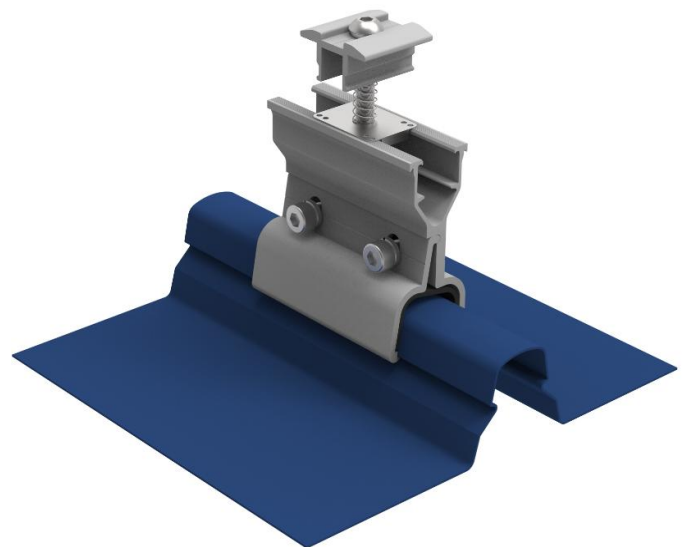
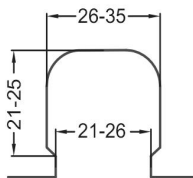
Specification



Unit: mm

Code: WQ-AC-02A

To suit:
Lysaght Klip-lok 700, speed deck ultra and roofing profiles with similar dimension.



Component list

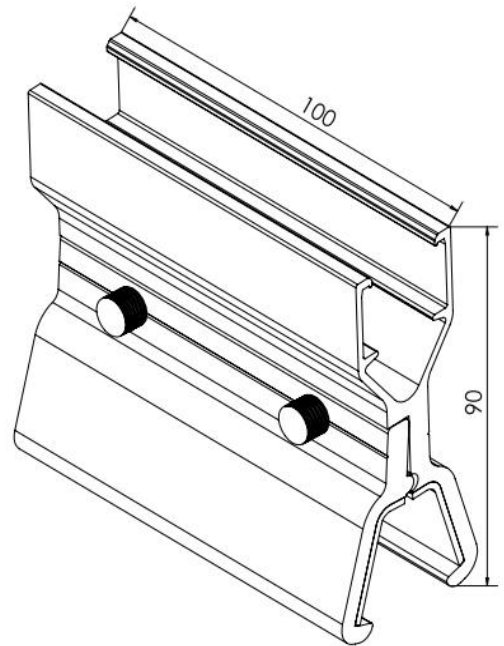
	Quantity	Specification	Material
Clamp	1	100*90	Aluminium 6005-T5
Side screw	2	M8*20	SUS304
EPDM pad	1	60*90	EPDM

Standing Seam Clamp

-Rail-less Lysaght Klip-lok 406 Clamp



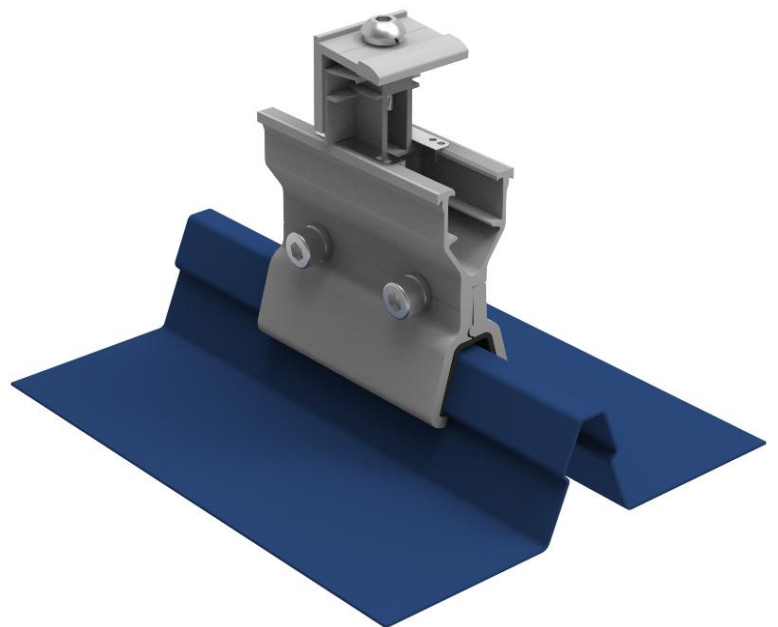
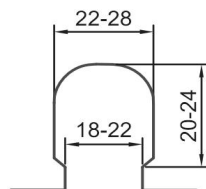
Specification



Unit: mm

Code: WQ-AC-03A

To suit:
Lysaght Klip-lok406, Kingclip 406
Roofing profiles with similar dimension.



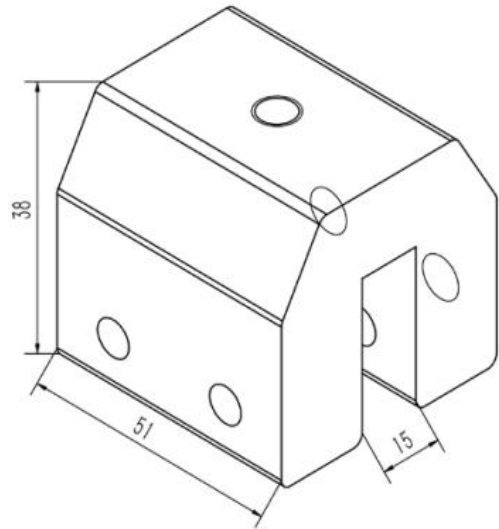
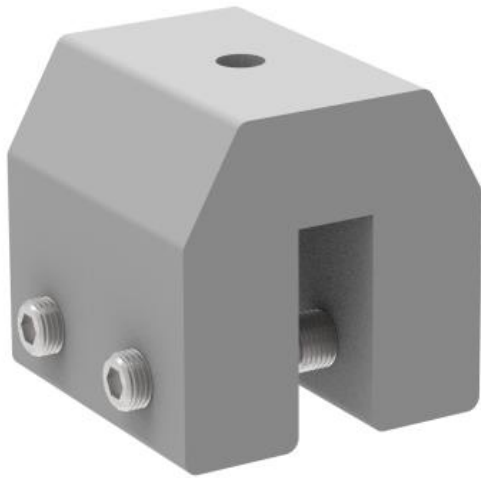
Component list

	Quantity	Specification	Material
Clamp	1	100*90	Aluminium 6005-T5
Top screw	2	M8*20	SUS304
EPDM pad	1	60*90	EPDM

Standing Seam Clamp

-Universal Clamp 17#

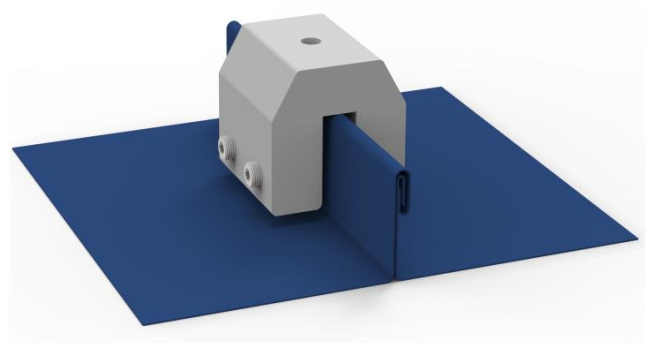
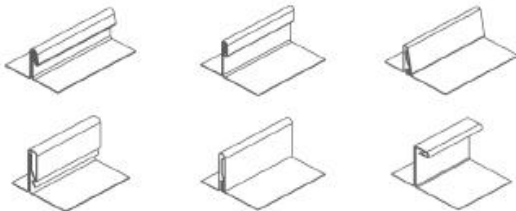
Specification



Unit: mm

Code: WQ-AC-17

To suit:
Most of the industrial single or double locked and Snap-together, the seam less than 14mm



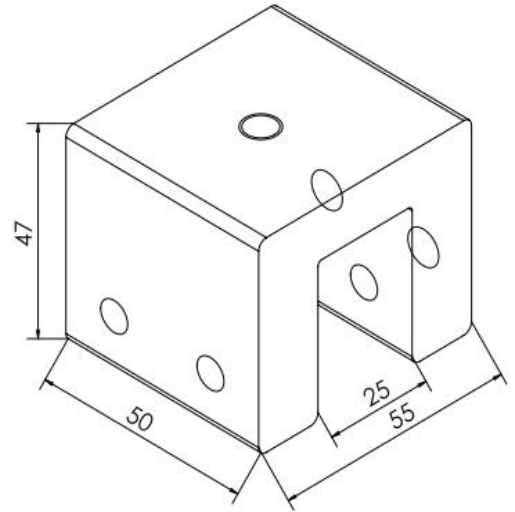
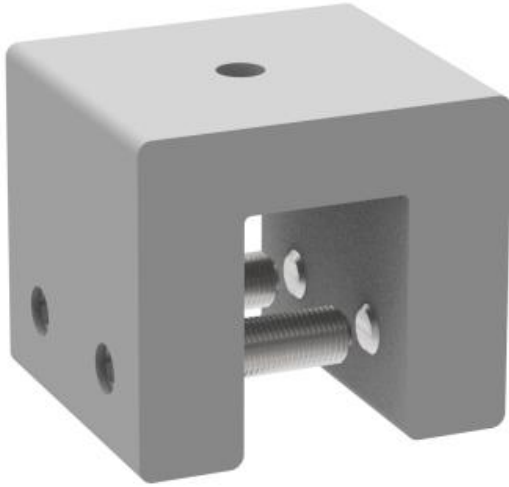
Component list

	Quantity	Specification	Material
Clamp	1	51*38	Aluminium 6005-T5
Top screw	1	M8*20	SUS304
Side screw	2	M10*25	SUS304

Standing Seam Clamp

-Universal Clamp 28#

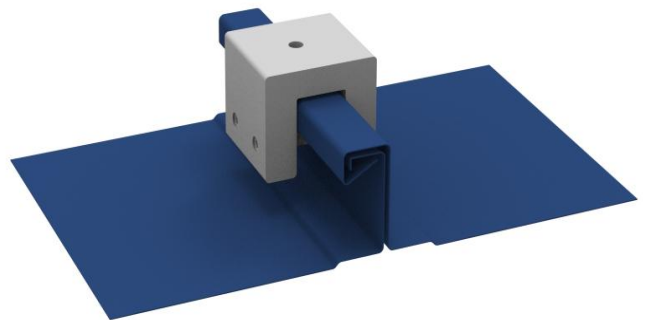
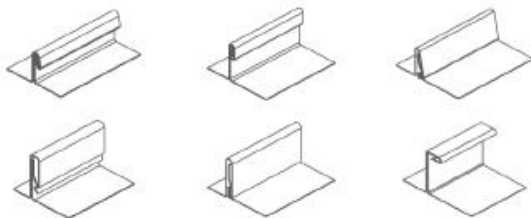
Specification



Unit: mm

Code: WQ-AC-28

To suit:
Most of the industrial single or double locked and Snap-together, the seam width between 14-25mm.



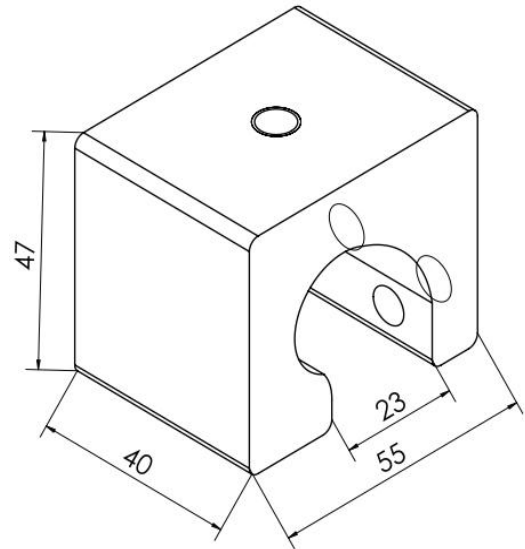
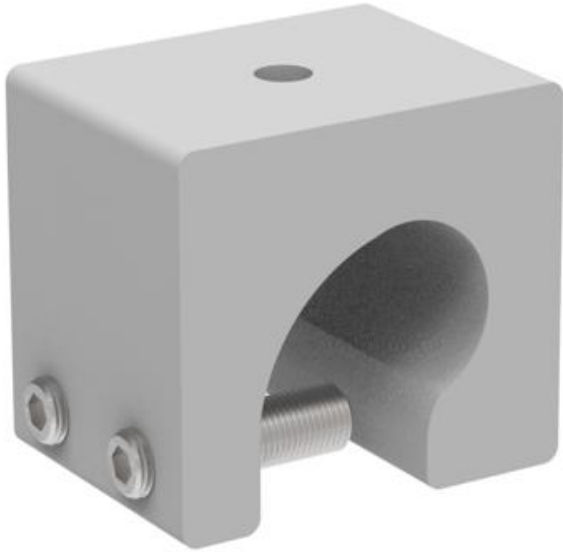
Component list

	Quantity	Specification	Material
Clamp	1	40*35	Aluminium 6005-T5
Top screw	1	M8*20	SUS304
Side screw	2	M10*30	SUS304

Standing Seam Clamp

-Universal Rould Bulb Clamp

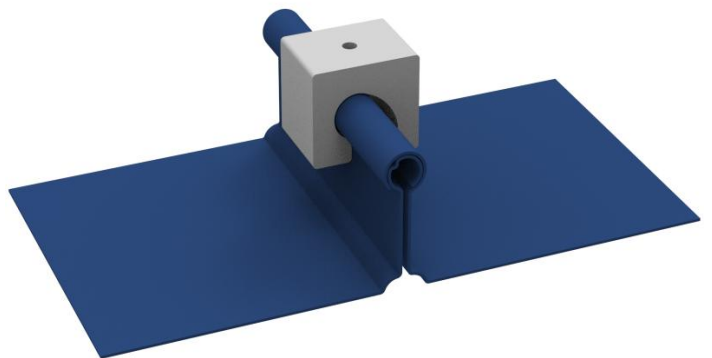
Specification



Unit: mm

Code: WQ-AC-21

To suit:
The rould bulb seam sheet metal that the rould seam width less than 22mm.



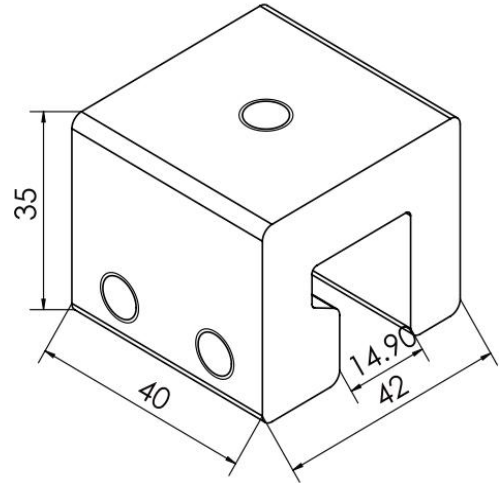
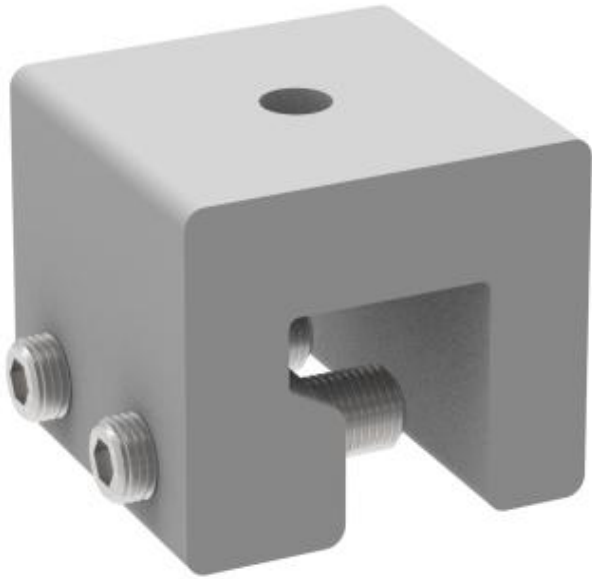
Component list

	Quantity	Specification	Material
Clamp	1	49*40	Aluminium 6005-T5
Side screw	2	M10*30	SUS304
Top screw	1	M8*20	SUS304

Standing Seam Clamp

-Single Folded Seam in 90 deg Clamp

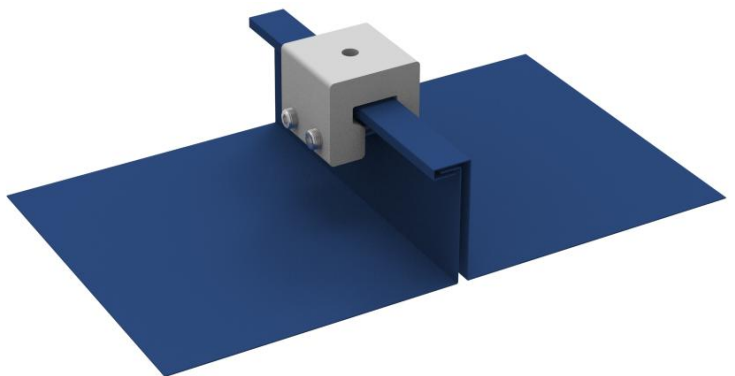
Specification



Unit: mm

Code: WQ-AC-23

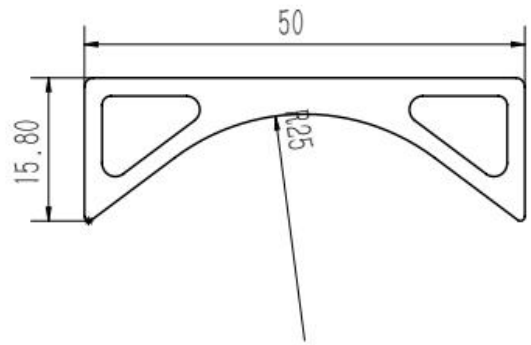
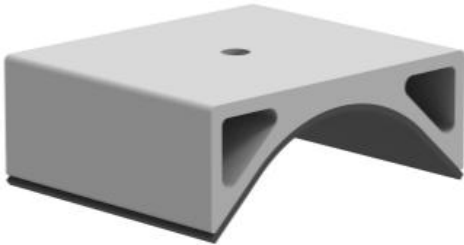
To suit:
The single folded seam sheet metal in 90 deg



Component list

	Quantity	Specification	Material
Clamp	1	40*35	Aluminium 6005-T5
Side screw	2	M10*30	SUS304
Top screw	1	M8*20	SUS304

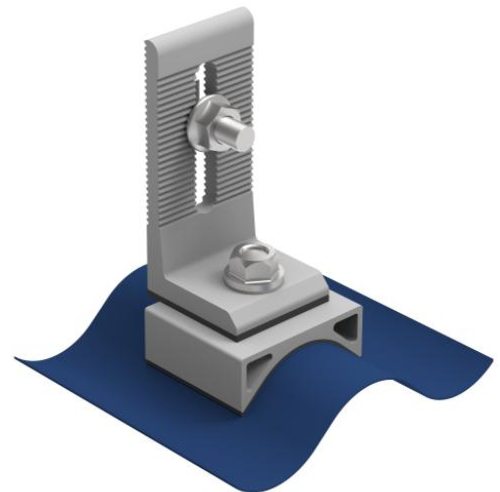
Specification



Unit: mm

Code: WQ-AC-29

To suit:
The rould bulb seam sheet metal that the rould seam around R25



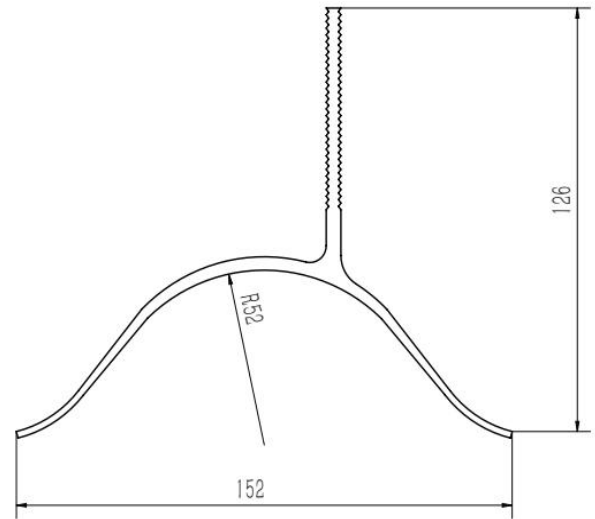
Component list

	Quantity	Specification	Material
Clamp	1	50*40	Aluminium 6005-T5
Wooden or self-drilling screw	1	M6.3*80	SUS401
L feet	1	40*85/125/165	Aluminium 6005-T5
Nut kits Or T Bolt	1	Nut kits or T bolt	Alu 6005-T5 or SUS 304

Corrugated Clamp

- For Europe Area

Specification



Unit: mm

Code: WQ-AC-30

To suit:
The rould bulb seam sheet metal that the rould seam around R52



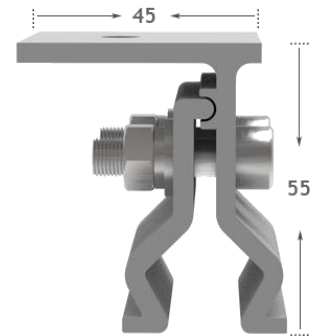
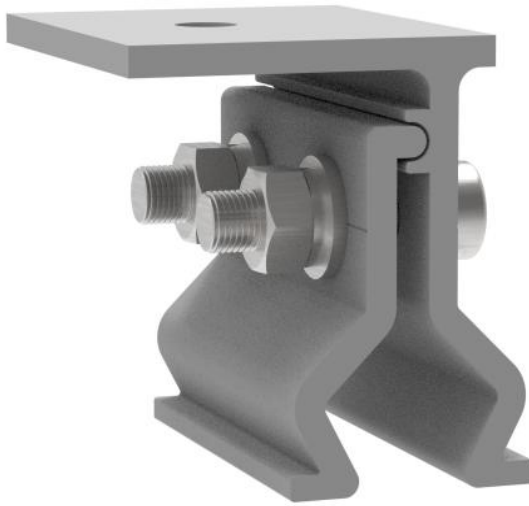
Component list

	Quantity	Specification	Material
Clamp	1	152*126	Aluminium 6005-T5
Nut kits Or T Bolt	1	Nut kits or T bolt	Alu 6005-T5 or SUS 304
Wooden or self-drilling screw	1	M6.3*80	SUS401

Standing Seam Clamp

-For East-South Asia

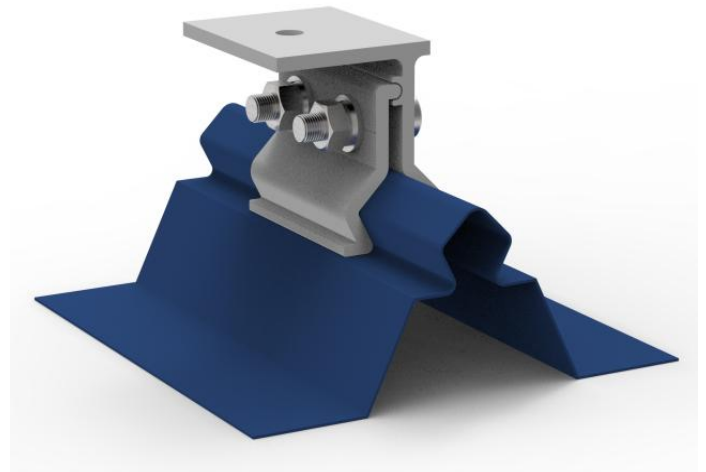
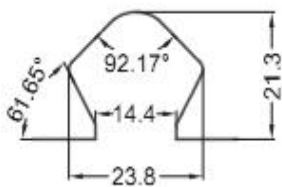
Specification



Unit: mm

Code: WQ-AC-05

To suit:
V-650 roofing profile or with similar dimension.



Component list

	Quantity	Specification	Material
Clamp	1	55*45	Aluminium 6005-T5
Top screw	1	M8*20	SUS304
Side screw	2	M8*25	SUS304

Adjustable Tilt Mount

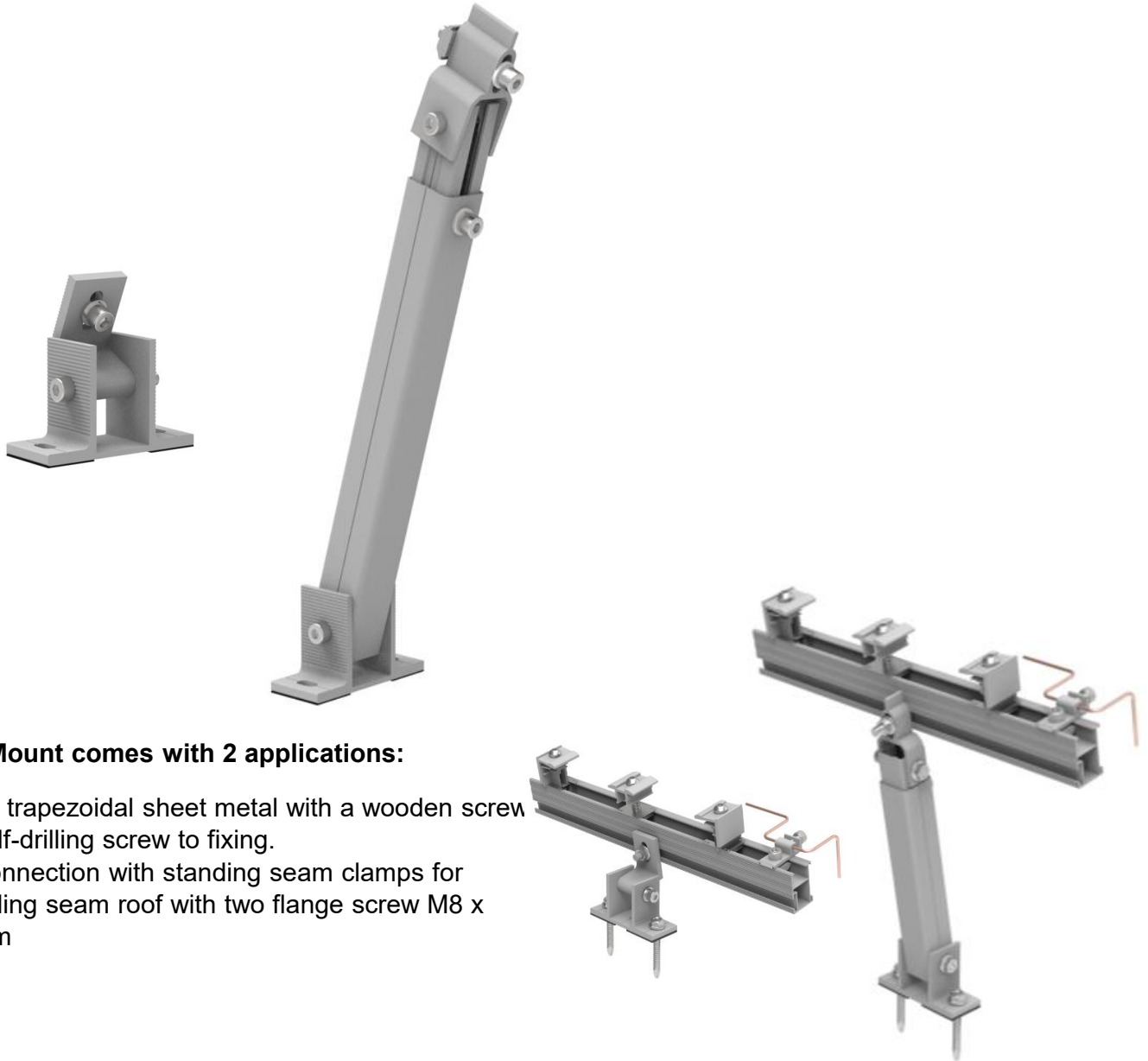
Install Site: Flat Metal Roof, Flat Concrete Roof.

Material: AL6005-T5、SUS304.

Applied Standards: AS/NZ1170.2、UL2703 etc.

Tilt Angle: 10° ~15° , 15~30° , 30° ~60° , or custom titl angle upon request.

Building Height: Up to 20m.

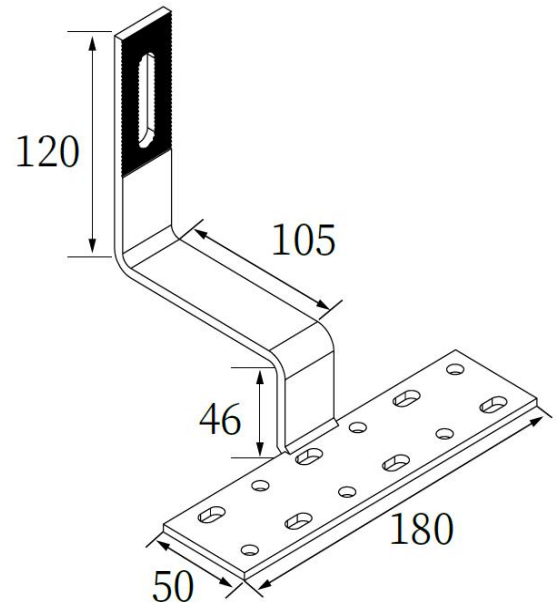


Tilt Mount comes with 2 applications:

- 1: for trapezoidal sheet metal with a wooden screw or self-drilling screw to fixing.
- 2: Connection with standing seam clamps for standing seam roof with two flange screw M8 x 20mm

WQ-AD2-F	WQ-AD2-RL200	WQ-AD2-RL340	WQ-AD2-RL500
Front feet	10-15 degree adjustable back leg	15-30 degree adjustable back leg	30-45 degree adjustable back leg
	Internal tube L=200mm	Internal tube L=340mm Exterior leg L=340mm	Internal tube L=500mm

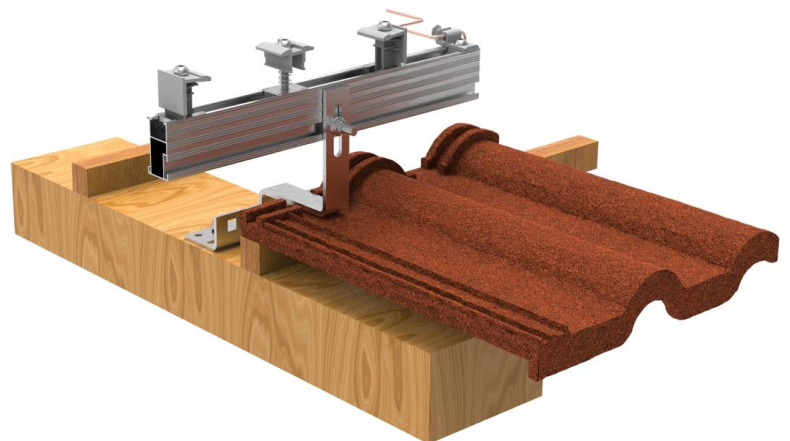
Specification



Code: WQ-SH-01

Unit: mm

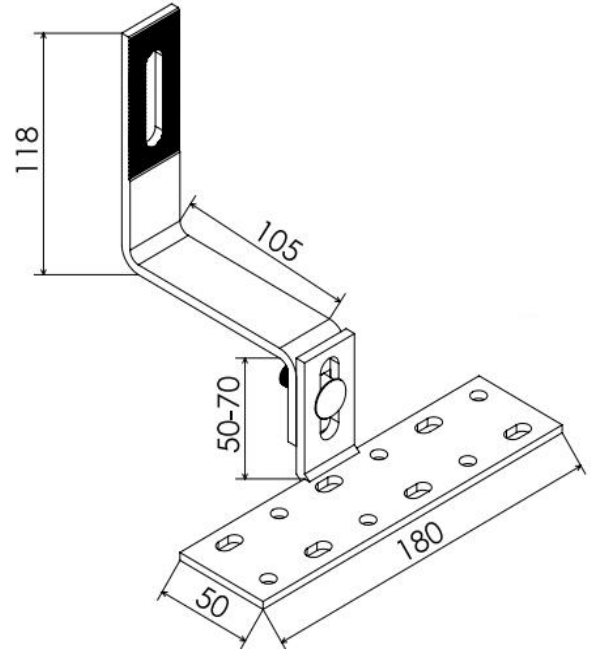
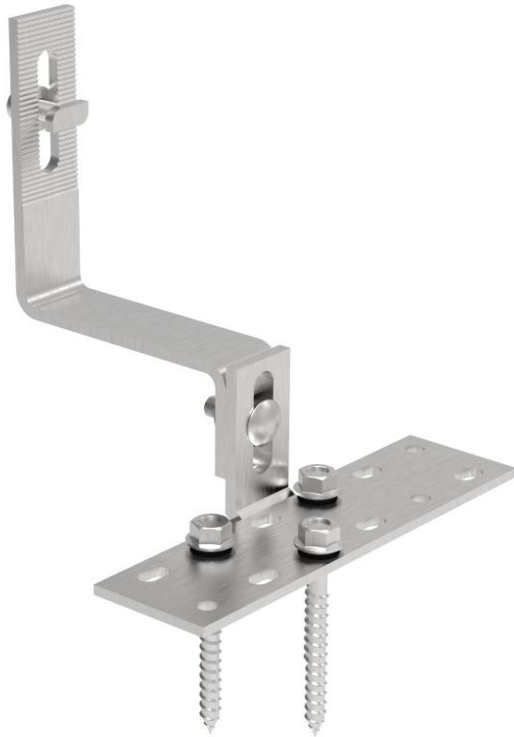
To suit:
Pantiles roof, Slate roof, Plain tiles roof, Flat tile roof, Spanish tile roof
Portrait installation.



Component list

	Quantity	Specification	Material
SH 1# Hook	1	180*46*105*120 mm	SUS304
Nut kits Or T Bolt	1	Nut kits or T bolt	Alu 6005-T5 or SUS 304
Wooden screw	3	M6.3*80	Dacromet SUS401

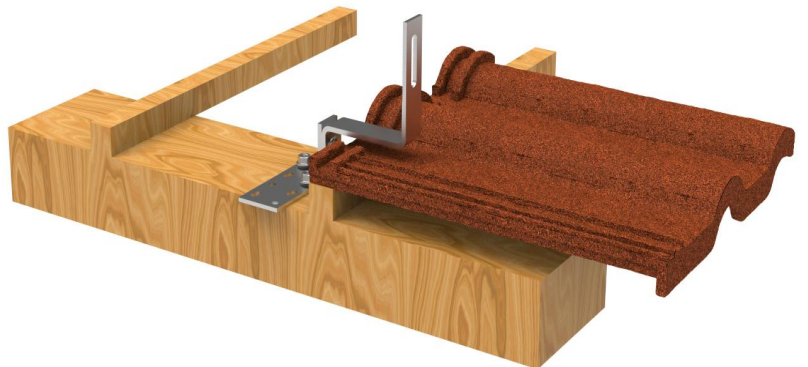
Specification



Code: WQ-SH-04

Unit: mm

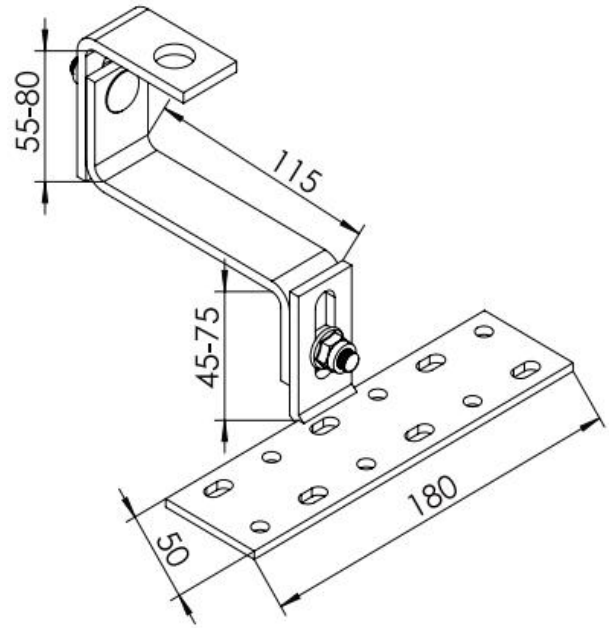
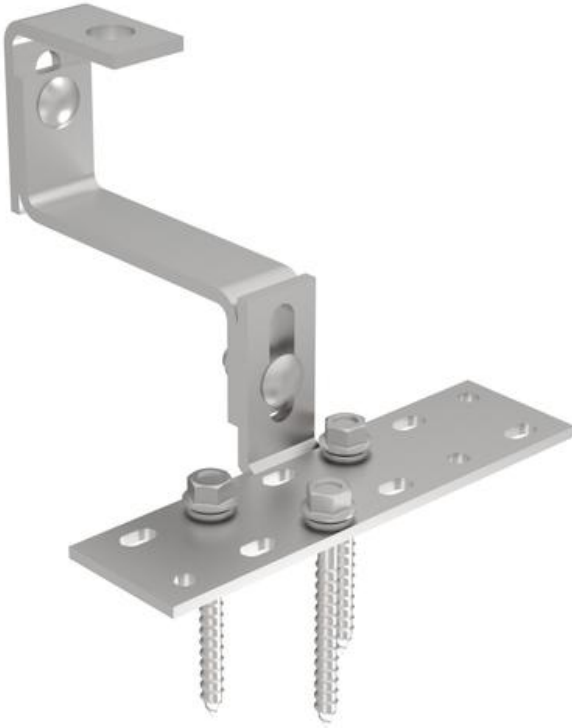
To suit:
 Pantiles roof, Slate roof, Plain tiles roof, Flat tile roof, Spanish tile roof.
 Portrait and Landscape installation.



Component list

	Quantity	Specification	Material
SH 04# Hook	1	180*50*115 mm	SUS304
Nut kits Or T Bolt	1	Nut kits or T bolt	Alu 6005-T5 or SUS 304
Wooden screw	3	M6.3*80	Dacromet SUS401

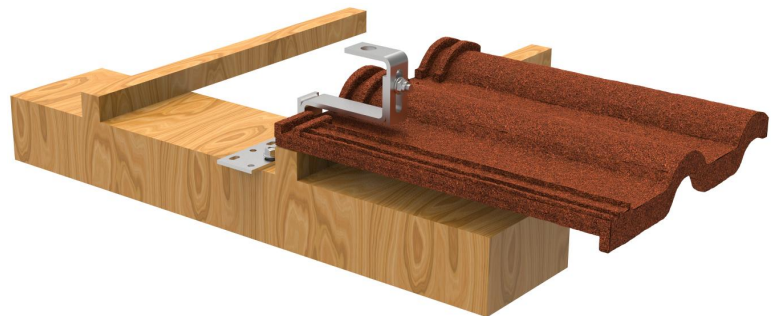
Specification



Code: WQ-SH-02

Unit: mm

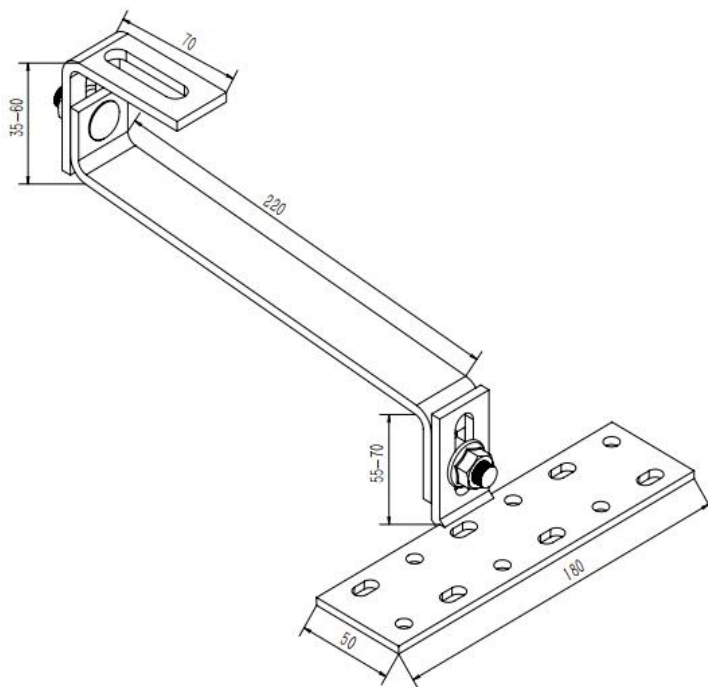
To suit:
 Pantiles roof, Slate roof, Plain tiles roof, Flat tile roof, Spanish tile roof
 Portrait installation and height adjustable from 50-70mm.



Component list

	Quantity	Specification	Material
SH 2# Hook	1	180*46*105*120 mm	SUS304
Nut kits Or T Bolt	1	Nut kits or M8*25 T bolt	Alu 6005-T5 or SUS 304
Wooden screw	3	M6.3*80	Dacromet SUS401

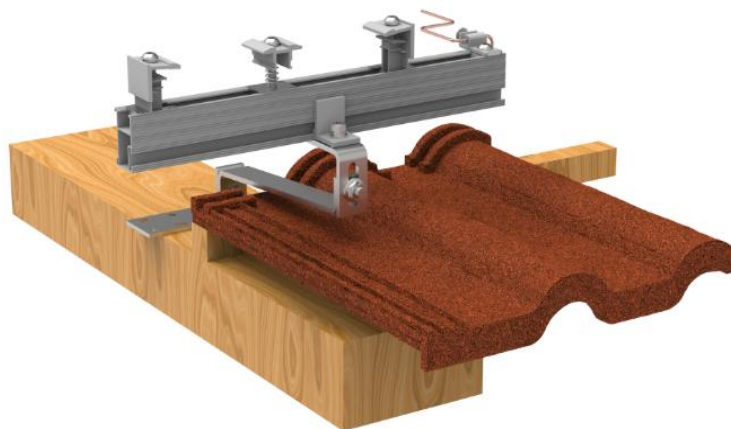
Specification



Code: WQ-SH-103

Unit: mm

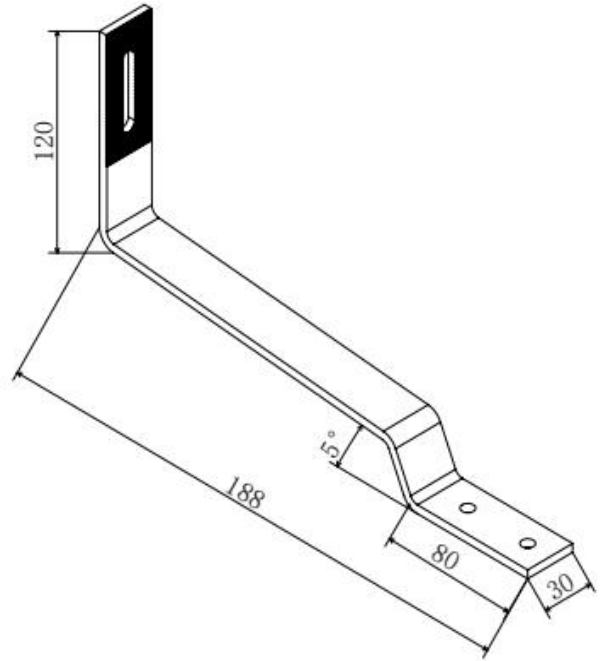
To suit:
 Pantiles roof, Slate roof, Plain tiles roof, Flat tile roof, Spanish tile roof.
 Portrait installation and height adjustable from 50-70mm.



Component list

	Quantity	Specification	Material
SH 103# Hook	1	180*50*115 mm	SUS304
Nut kits Or T Bolt	1	Nut kits or M8*25 T bolt	Alu 6005-T5 or SUS 304
Wooden screw	3	M6.3*80	Dacromet SUS401

Specification



Code: WQ-SH-05

Unit: mm

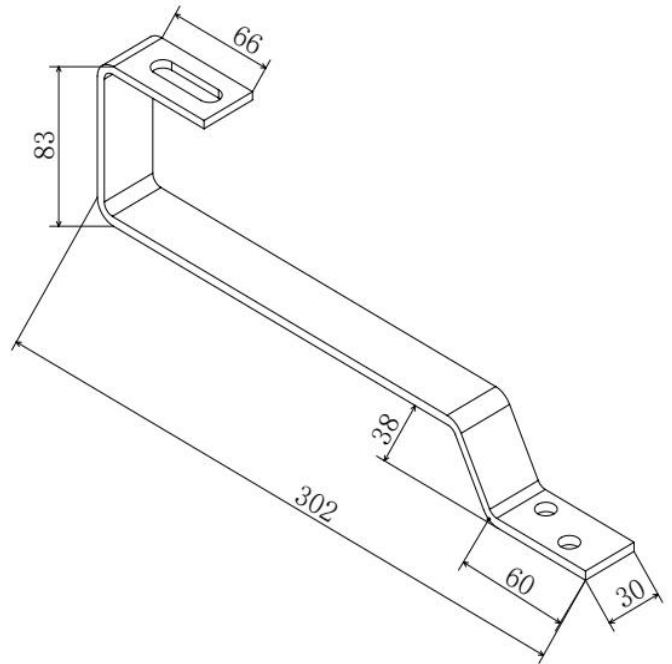
To suit:
Flat tile roof, asphalt shingles roof,
for portrait installation.



Component list

	Quantity	Specification	Material
SH 05# Hook	1	220*30*55 mm	SUS304
Nut kits Or T Bolt	1	J53 nut kits or M8*25 T bolt	Alu 6005-T5 or SUS 304
Wooden screw	2	M6.3*80	Dacromet SUS401

Specification



Code: WQ-SH-06

Unit: mm

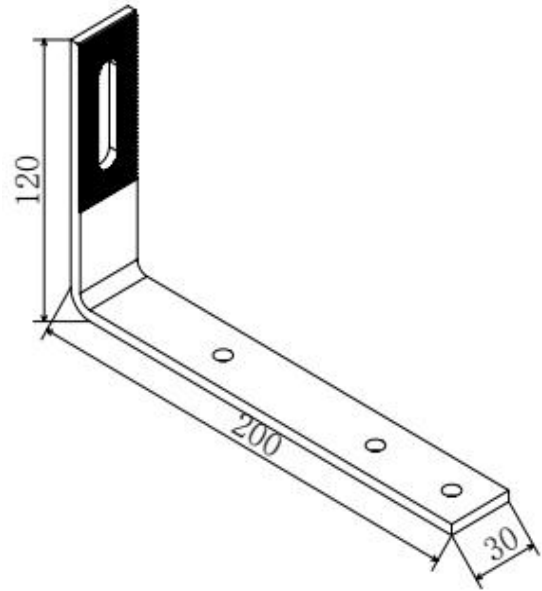
To suit:
Flat tile roof, asphalt shingles roof,
for portrait installation.



Component list

	Quantity	Specification	Material
SH 6# Hook	1	140*55*115*55 mm	SUS304
Rail Fix Adapter	1	Rotate Rail Fix Adapter	Alu 6005-T5 or SUS 304
Wooden screw	2	M6.3*80	Dacromet SUS401
L Kits with screw	1	60*70	SUS304

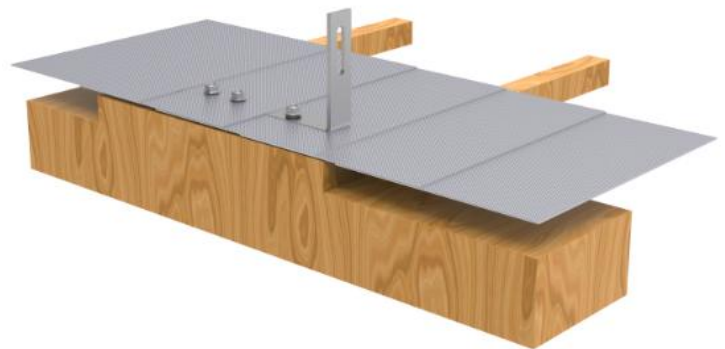
Specification



Code: WQ-SH-07

Unit: mm

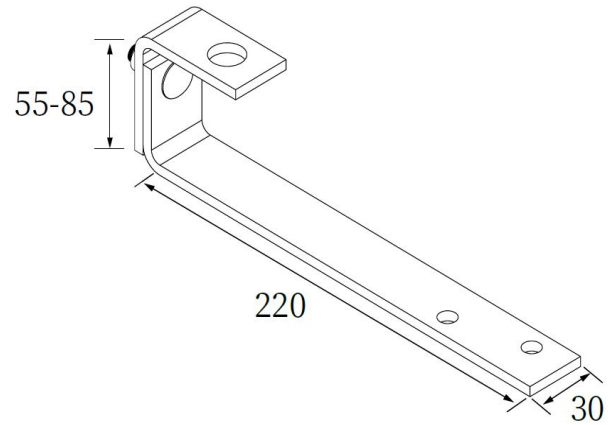
To suit:
Flat tile roof, asphalt shingles roof,
both portrait installation.



Component list

	Quantity	Specification	Material
SH 7# Hook	1	220*30*55 mm	SUS304
Nut kits Or T Bolt	1	J53 nut kits or M8*25 T bolt	Alu 6005-T5 or SUS 304
Wooden screw	3	M6.3*80	Dacromet SUS401

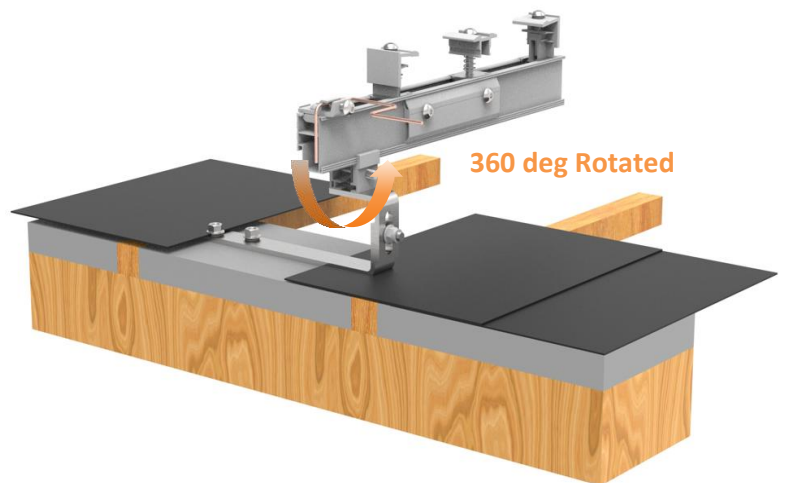
Specification



Code: WQ-SH-08

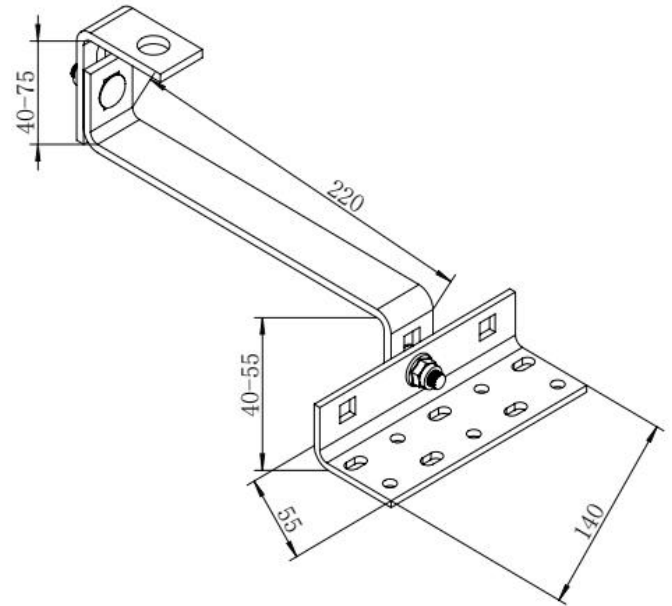
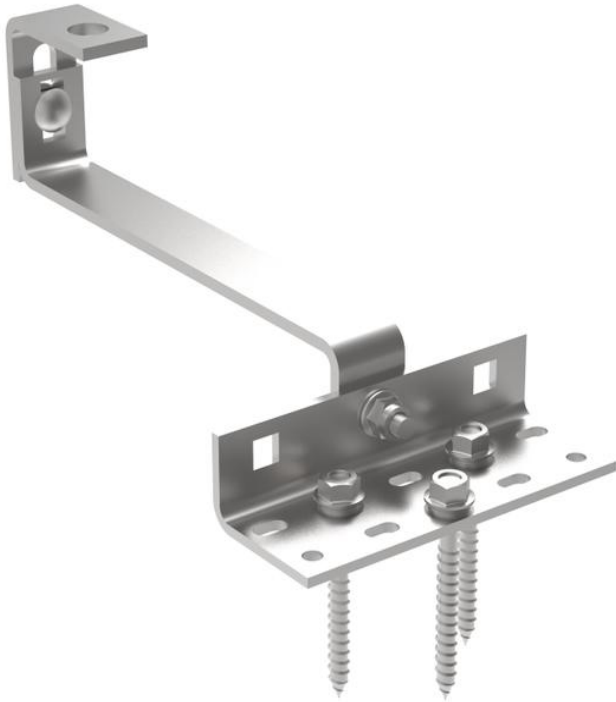
Unit: mm

To suit:
Flat tile roof, asphalt shingles roof,
both portrait and landscape installation.



Component list			
	Quantity	Specification	Material
SH 8# Hook	1	140*55*115*55 mm	SUS304
Rail Fix Adapter	1	Rotate Rail Fix Adapter	Alu 6005-T5 or SUS 304
Wooden screw	3	M6.3*80	Dacromet SUS401
L Kits with screw	1	60*70	SUS304

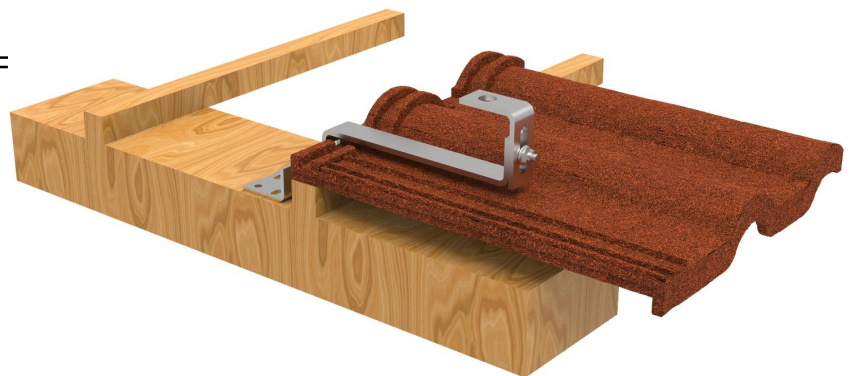
Specification



Code: WQ-SH-21

Unit: mm

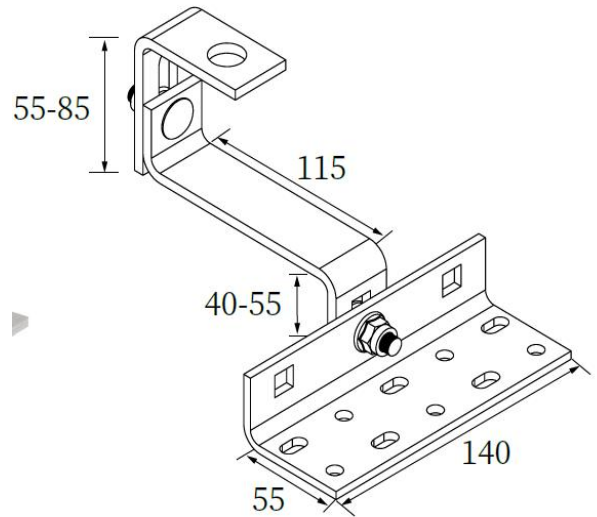
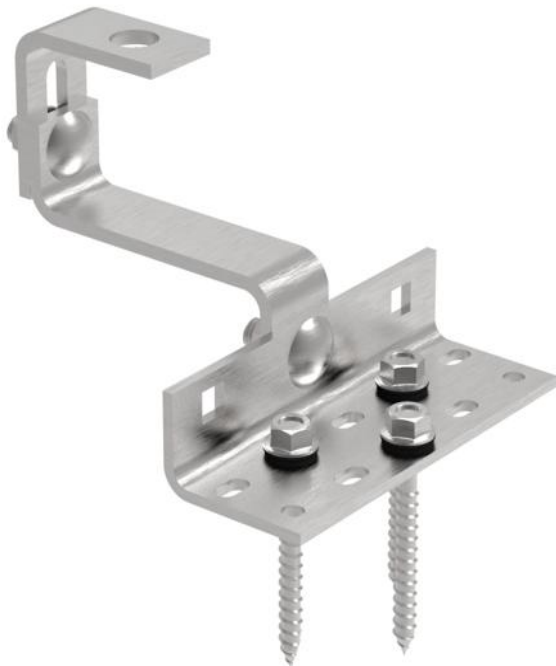
To suit:
 Pantiles roof, Slate roof, Plain tiles roof, F
 tile roof, Spanish tile roof.
 Portrait and landscape installation.



Component list

	Quantity	Specification	Material
SH 21# Hook	1	220*30*55 mm	SUS304
Nut kits Or T Bolt	1	J53 nut kits or M8*25 T bolt	Alu 6005-T5 or SUS 304
Wooden screw	3	M6.3*80	Dacromet SUS401

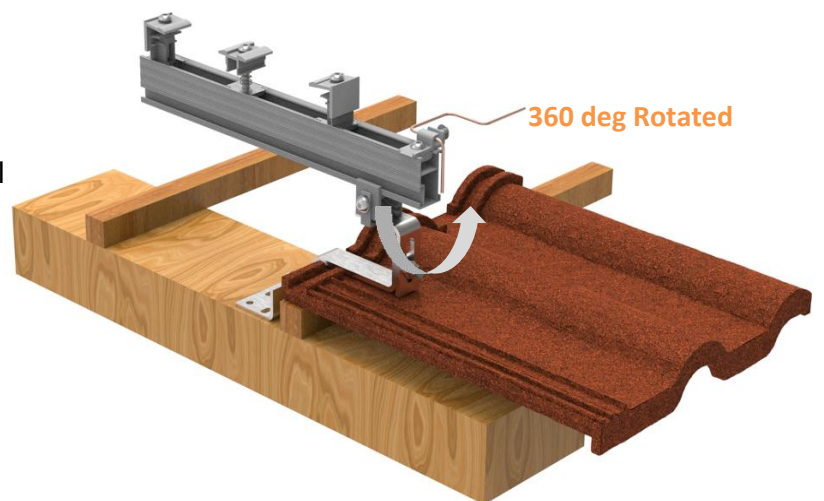
Specification



Code: WQ-SH-18

Unit: mm

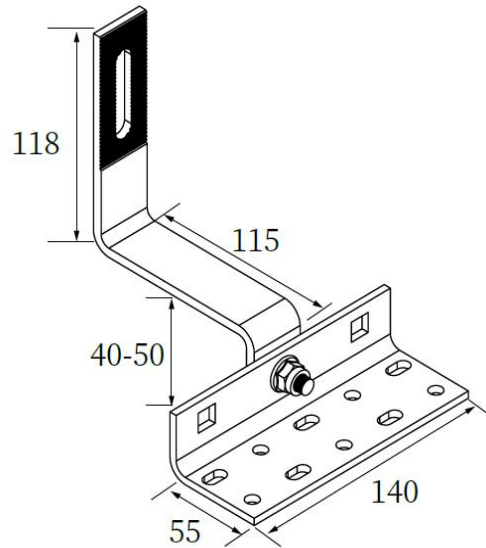
To suit:
 Pantiles roof, Slate roof, Plain tiles roof, Fl
 tile roof, Spanish tile roof.
 Portrait and landscape installation.



Component list

	Quantity	Specification	Material
SH 18# Hook	1	140*55*115*55 mm	SUS304
Rail Fix Adapter	1	Rotate Rail Fix Adapter	Alu 6005-T5 or SUS 304
Wooden screw	3	M6.3*80	Dacromet SUS401
L Kits with screw	1	60*70	SUS304

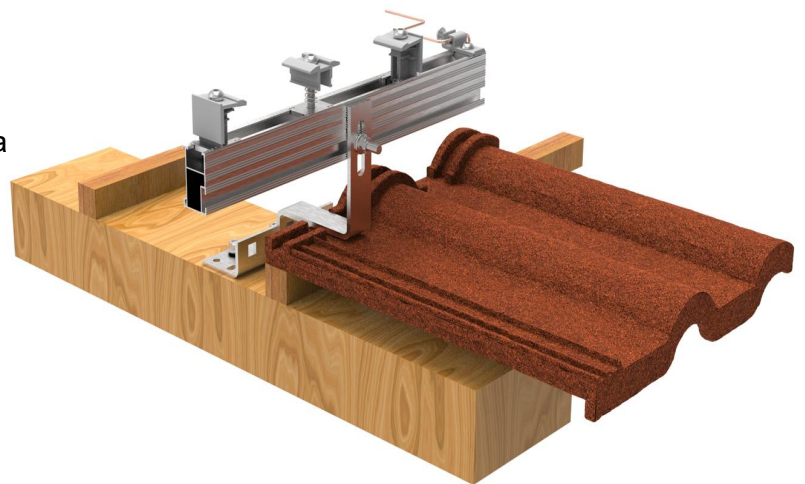
Specification



Code: WQ-SH-19

Unit: mm

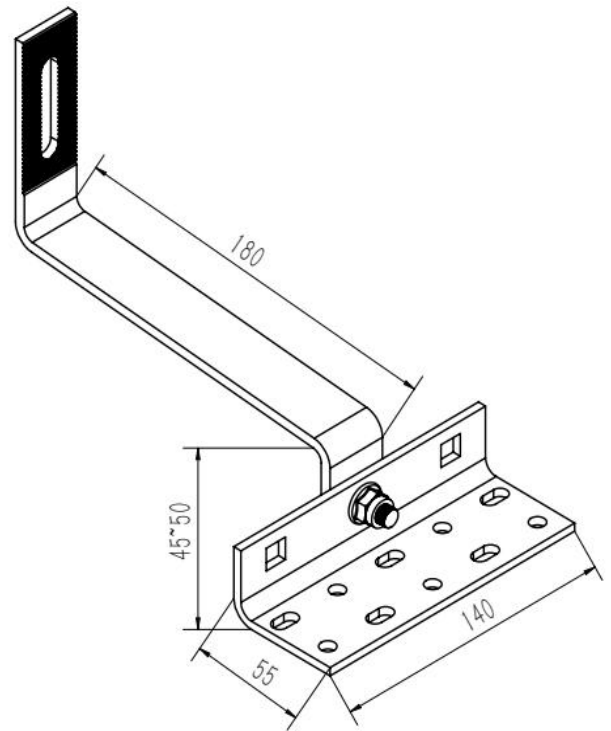
To suit:
 Pantiles roof, Slate roof, Plain tiles roof, Fla
 tile roof, Spanish tile roof.
 Portrait installation.



Component list

	Quantity	Specification	Material
SH 19# Hook	1	140*55*115*118 mm	SUS304
Nut kits Or T Bolt	1	J53 nut kits or M8*25 T bolt	Alu 6005-T5 or SUS 304
Wooden screw	3	M6.3*80	Dacromet SUS401

Specification



Unit: mm

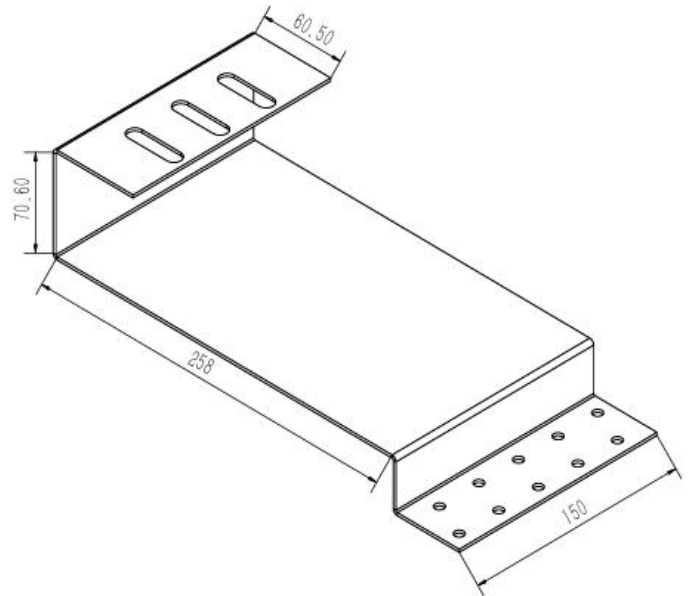
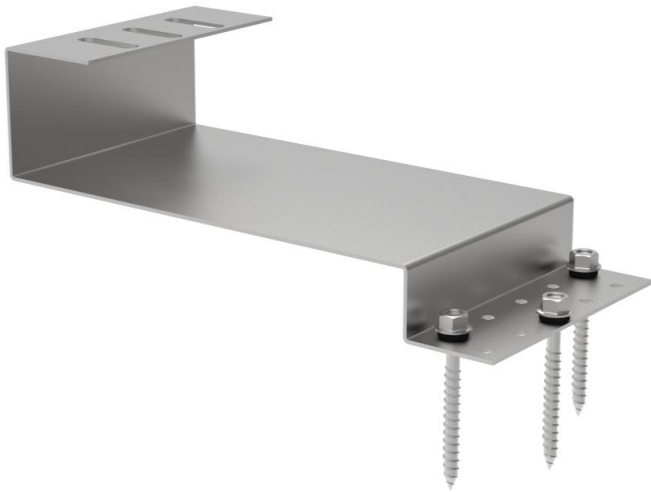
Code: WQ-SH-22

To suit:
 Pantiles roof, Slate roof, Plain tiles roof, Flat tile roof, Spanish tile roof
 Portrait installation on wider wooder rafters.



Component list			
	Quantity	Specification	Material
SH 22# Hook	1	140*55*105*120 mm	SUS304
Nut kits Or T Bolt	1	J53 nut kits or M8*25 T bolt	Alu 6005-T5 or SUS 304
Wooden screw	3	M6.3*80	Dacromet SUS401
L Kits with screw	1	60*70	SUS304

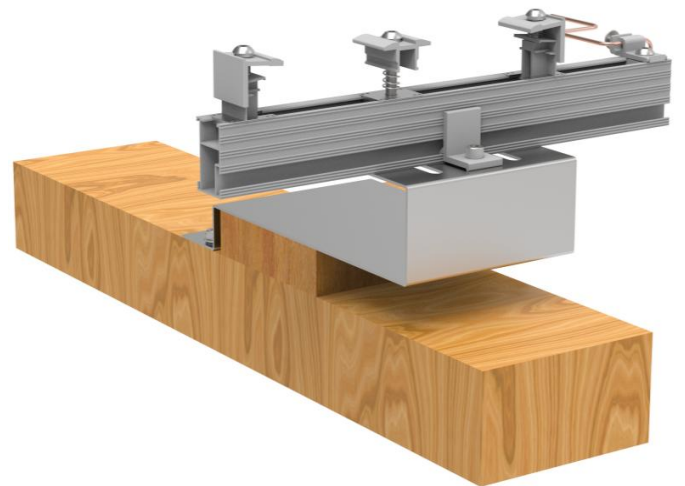
Specification



Code: WQ-SH-31

Unit: mm

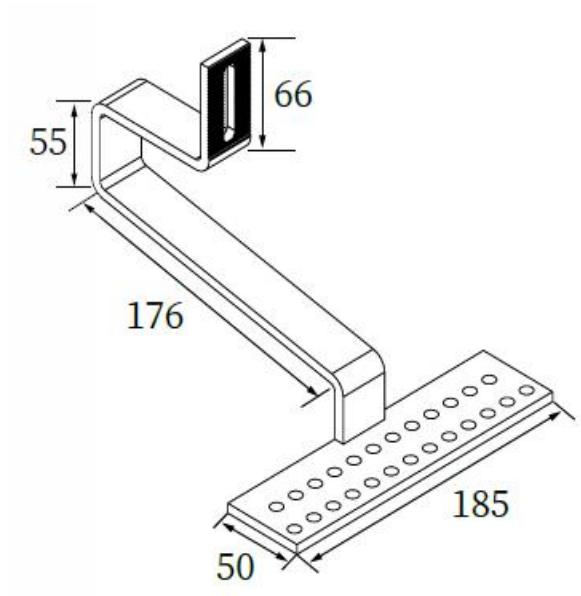
To suit:
 Pantiles roof, Slate roof, Plain tiles roof, Flat
 tile roof, Portrait installation.



Component list

	Quantity	Specification	Material
SH 31# Hook	1	180*46*105*120 mm	SUS304
Nut kits Or T Bolt	1	J53 nut kits or M8*25 T bolt	Alu 6005-T5 or SUS 304
Wooden screw	3	M6.3*80	Dacromet SUS401

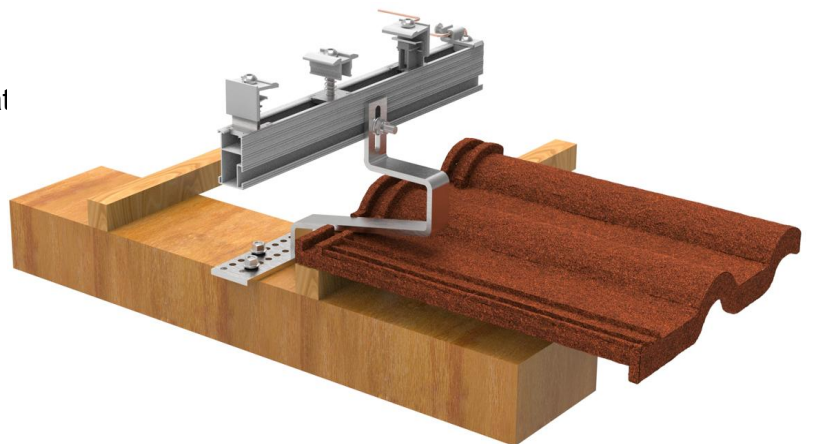
Specification



Code: WQ-SH-66

Unit: mm

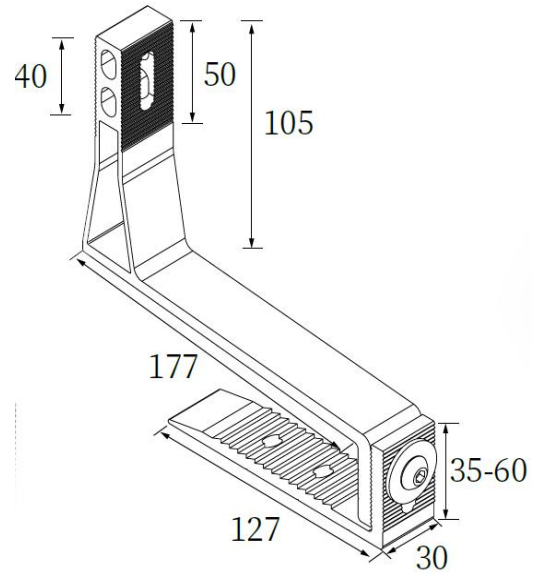
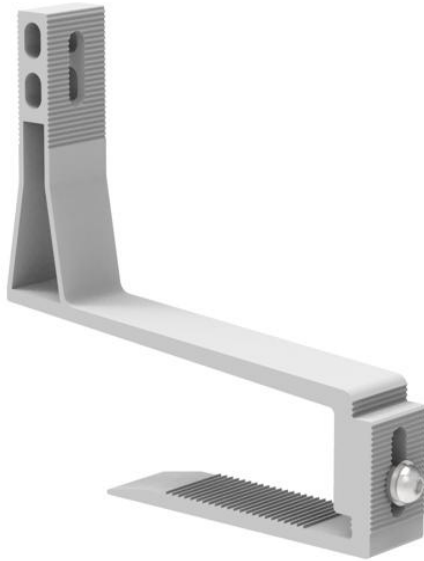
To suit:
 Pantiles roof, Slate roof, Plain tiles roof, Flat tile roof, Spanish tile roof.
 Portrait and Landscape installation.



Component list

	Quantity	Specification	Material
SH 66# Hook	1	185*50*176*55*66 mm	SUS304
Nut kits Or T Bolt	1	J53 nut kits or M8*25 T bolt	Alu 6005-T5 or SUS 304
Wooden screw	3	M6.3*80	Dacromet SUS401
L Kits with screw	1	60*70	SUS304

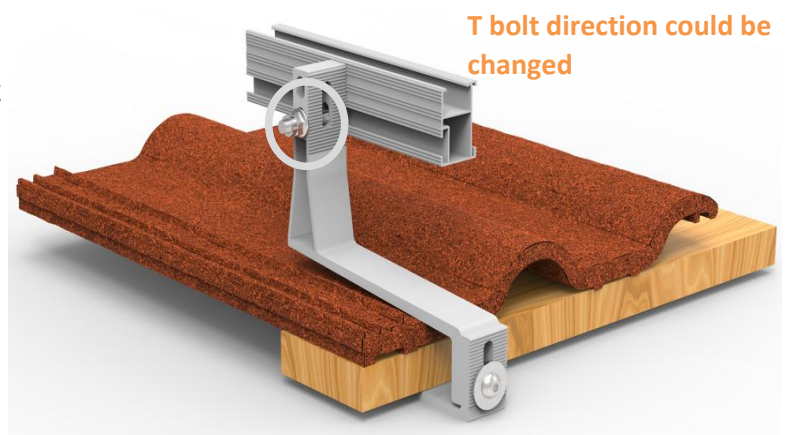
Specification



Code: WQ-AH-06

Unit: mm

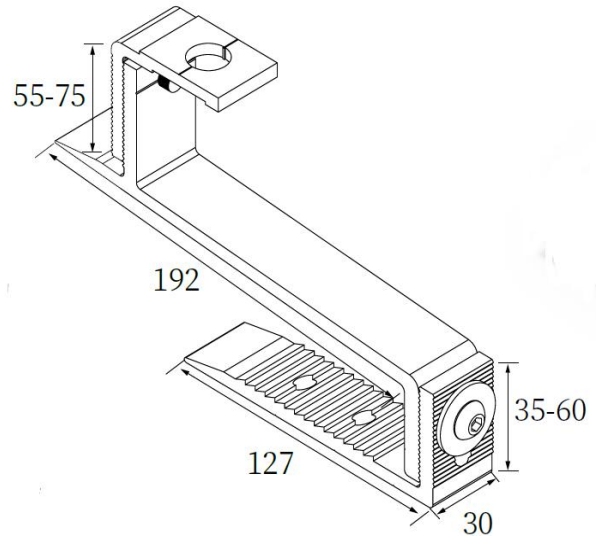
To suit:
 Pantiles roof, Slate roof, Plain tiles roof, Flat tile roof, Spanish tile roof.
 Portrait and landscape installation.



Component list

	Quantity	Specification	Material
AH 6# Hook	1	127*30*177*105 mm	Alu 6005-T5
Nut kits Or T Bolt	1	J53 nut kits or M8*25 T bolt	Alu 6005-T5 or SUS 304

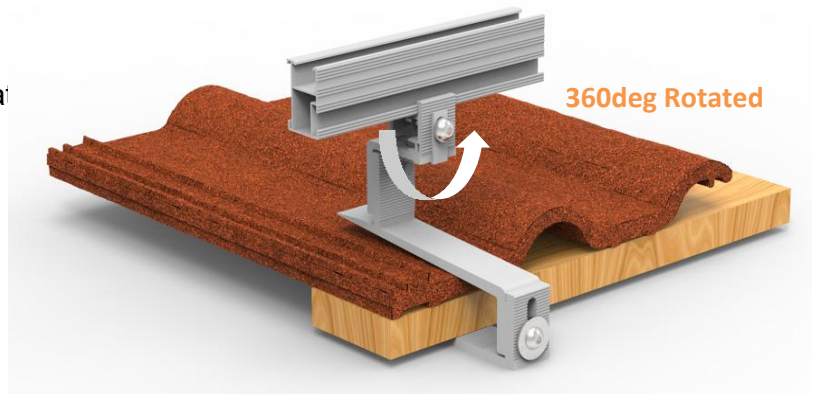
Specification



Code: WQ-AH-07

Unit: mm

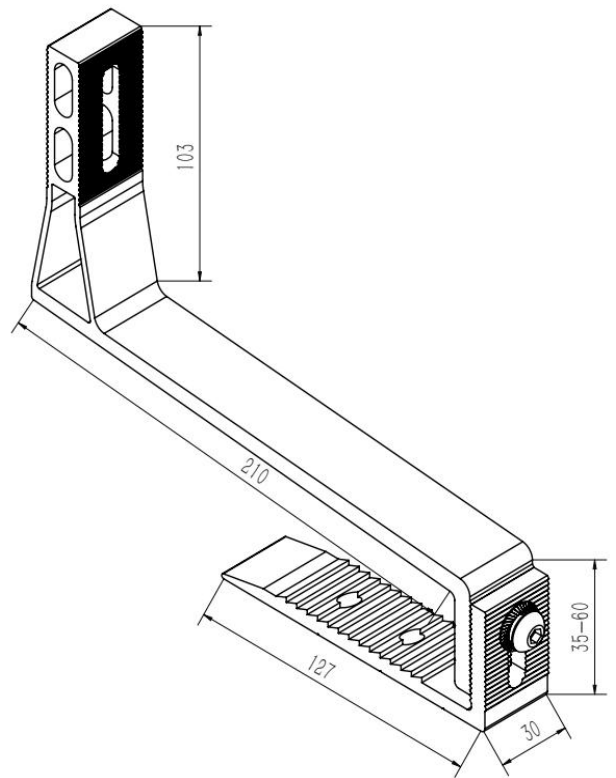
To suit:
 Pantiles roof, Slate roof, Plain tiles roof, Flat tile roof, Spanish tile roof.
 Portrait and landscape installation.



Component list

	Quantity	Specification	Material
AH 07# Hook	1	127*30*192*55 mm	Alu 6005-T5
Rail Fix Adapter	1	Rotate Rail Fix Adapter	Alu 6005-T5 or SUS 304

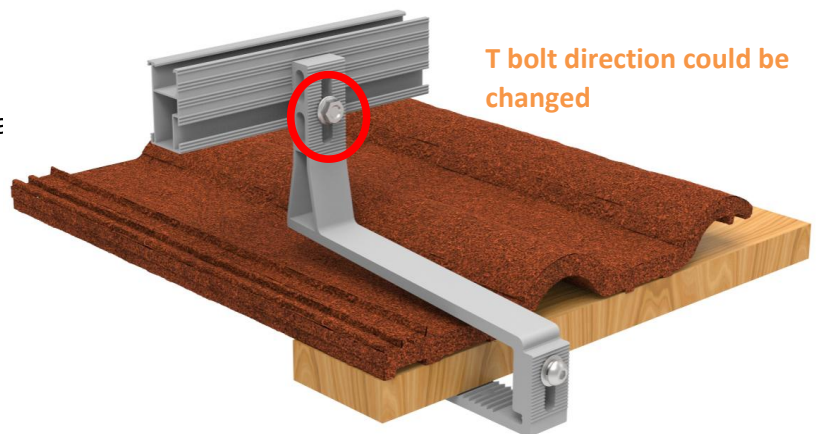
Specification



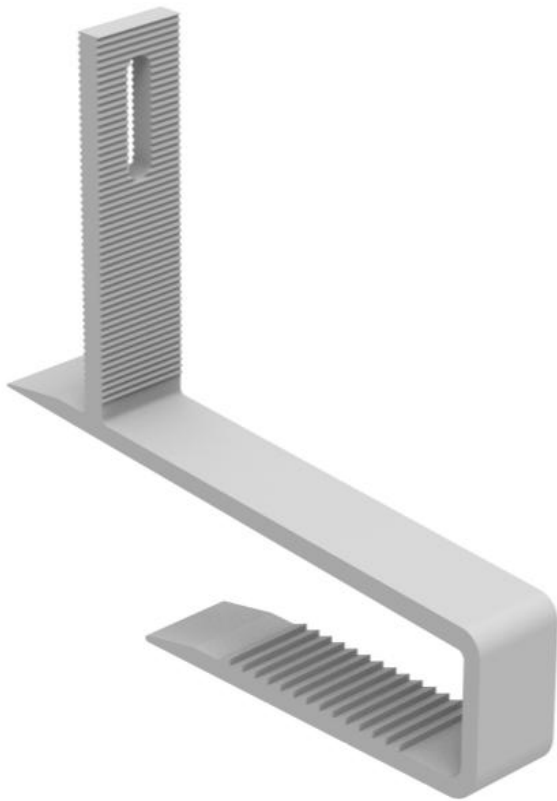
Code: WQ-AH-08

Unit: mm

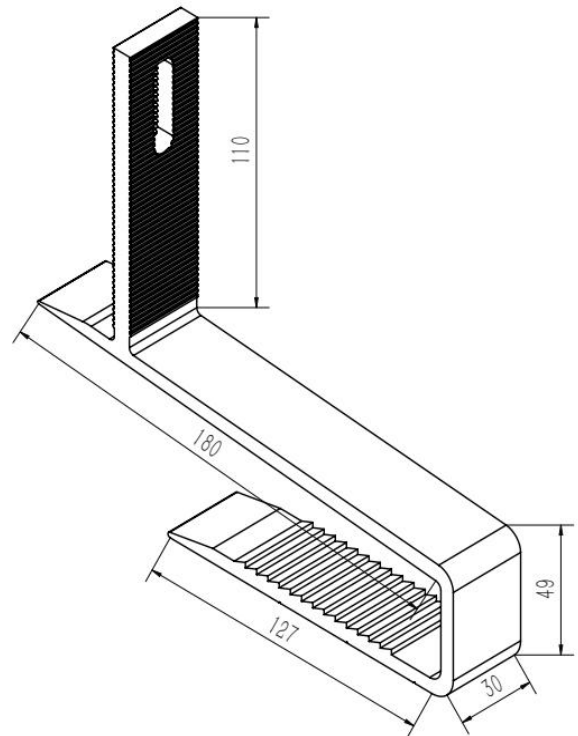
To suit:
 Pantiles roof, Slate roof, Plain tiles roof, Flat tile roof, Spanish tile roof.
 Portrait and landscape installation.



Component list			
	Quantity	Specification	Material
AH 8# Hook	1	127*30*177*105 mm	Alu 6005-T5
Nut kits Or T Bolt	1	J53 nut kits or M8*25 T bolt	Alu 6005-T5 or SUS 304



Specification



Code: WQ-AH-09

Unit: mm

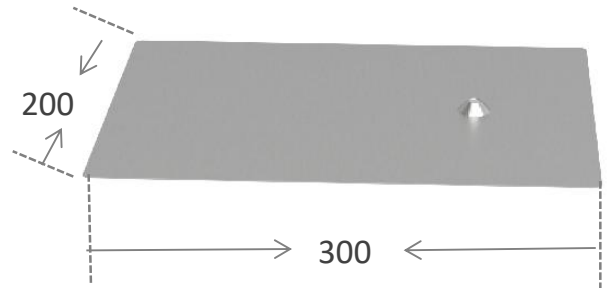
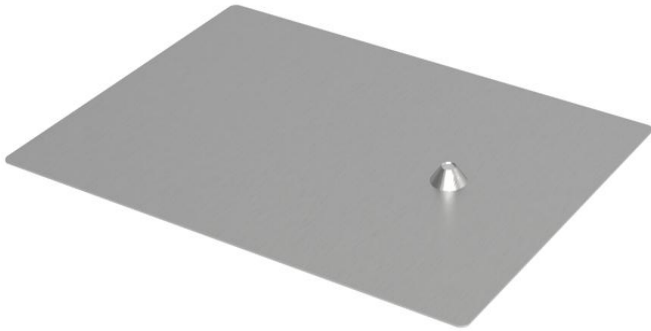
To suit:
 Pantiles roof, Slate roof, Plain tiles roof, Fl
 tile roof, Spanish tile roof.
 Portrait and landscape installation.



Component list

	Quantity	Specification	Material
AH 09# Hook	1	127*30*192*55 mm	Alu 6005-T5
Nut kits Or T Bolt	1	J53 nut kits or M8*25 T bolt	Alu 6005-T5 or SUS 304

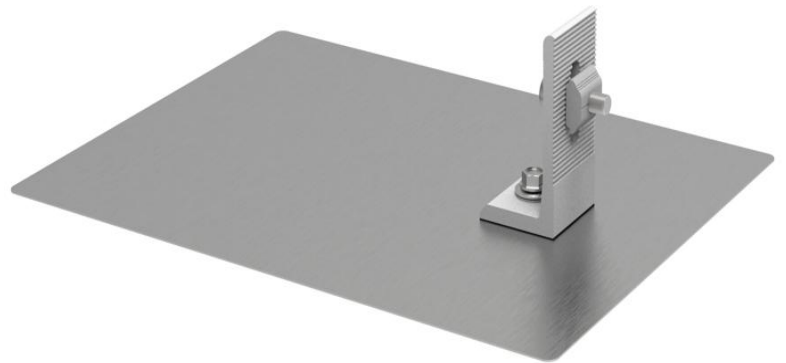
Specification



Code: WQ-AC-22

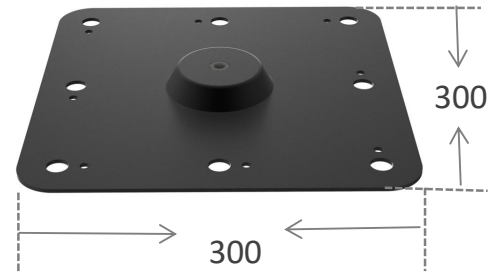
Unit: mm

To suit:
The Asphalt Shingles, TPO roofs



Component list			
	Quantity	Specification	Material
Asphalt Attachment	1	49*40 mm	Aluminium 6005-T5
L feet	1	40*85	Aluminium 6005-T5
Wooden screw	1	M6.3*80 mm	SUS304
Rail nut kits	1	WOCHN rail nut kits	Aluminium 6005-T5

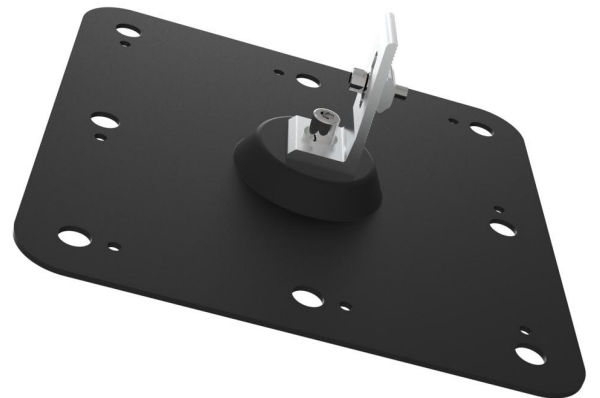
Specification



WQ-SH-67

Unit: mm

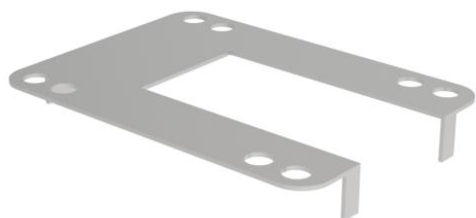
To suit:
Anchor for TPO/PVC flat roofs



Component list			
	Quantity	Specification	Material
TPO/PVC Attachment	1	300*300 mm	Steel
L feet	1	38*85	Aluminium 6005-T5
M12 screw	1	M12*20 mm	SUS304
Rail nut kits	1	Nut kits or T bolts	Aluminium 6005-T5, SUS304

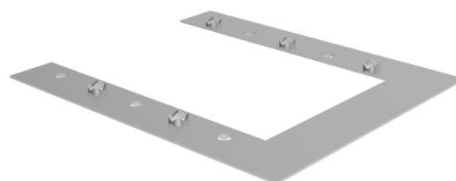
Code: WQ-GC-R4A

WOCHN open earthing clip on TR Rail system



Code: WQ-GC-R4A

WOCHN open earthing clip on ground mount system when installed on landscape



Code: WQ-GC-R3A

WOCHN open earthing clip
Connecting approach rail and make electrical through complete solar system



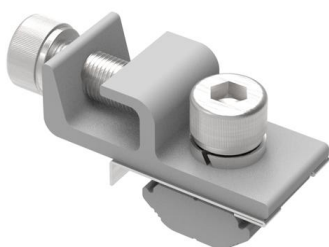
Code: WQ-GC-R3B

WOCHN closed earthing clip
Connecting approach rail and make electrical through complete solar system



Code: WQ-BR-GL

WOCHN Ground Lug used on BR rail system



Code: WQ-TR-GL

WOCHN Ground Lug used on TR rail system



Code: WQ-CL-1

SUS 304 steel Solar cable clip for handle 2 solar cable on solar system.



Code: WQ-CL-2

SUS 304 steel Solar cable clip for handle 2 solar cable on solar system.



Code: WQ-CL-3

SUS 304 steel Solar cable clip for handle 3 solar cable on solar system.



Code: WQ-CL-4

SUS 304 steel Solar cable clip for handle 3 solar cable on solar system.



Code: WQ-CL-5

SUS 304 steel Solar cable clip for handle 4 solar cable on solar system.



Code: WQ-CL-6

SUS 304 steel Solar cable clip for handle 4 solar cable on solar system.



Code: WQ-MC4-AB
MC4 Connector (A/B)



Features

Rate voltage:	1000v
Rated current:	22A(2.5mm ²) , 30A(4mm ² ,6mm ²)
Test voltage:	6KV(50Hz)
Protect degree:	IP67/IP2X
Insulation material:	PC/PA/PPO/TPE
Contact material:	Silver plated copper
Operating temperature:	-40°C~+90°C
Safe class:	2
Flame class:	UL94-V0
Contact resistance:	≤5mΩ
Suitable cable:	2.5mm ² /4mm ² /6mm ² (AWG14/12/10)
Locking system:	Snap in

Code: WQ-MC4-O2A/2B
Old 2 Branch MC4 connector



Code: WQ-MC4-N2A/2B
New 2 Branch MC4 connector



Code: WQ-MC4-O3A/3B
Old 3 Branch MC4 connector



Code: WQ-MC4-N3A/3B
New 3 Branch MC4 connector



Construction

Type	Conductor		Installation Standard Thickness	Installation Standard Dia	Jacket Standard Thickness	Outer Dia	Conductor resistance (20 °C)	Max current Carrying Capacity
	Construction	Conductor Dia						
mm ²	N/mm	mm	mm	mm	mm	mm	Ω/KM	Apm
1.5	30/0.25±0.006	1.58	0.9	3.38±0.1	1.1	5.5±0.2	13.7	30
2.5	50/0.25±0.006	2.04	0.85	3.74±0.1	0.9	5.5±0.2	8.21	41
4.0	56/0.3±0.006	2.59	0.85	4.29±0.1	0.9	6.1±0.2	5.09	55
6.0	84/0.3±0.006	3.17	0.85	4.87±0.1	1.05	7.0±0.2	3.39	70

Specification

- > Conductor : Tinned annealed
- > Insulation : 120 °C XLPE black
- > Jacket : 120 °C XLPE black
- > voltage 600/1000 V temperature 120 °C
- > Specifically designed for connecting photovoltaic system components inside and out side of building and equipment with high mechanical requirements and extreme weather conditions. For permanent installations

> Cable made of electron-beam cross-linked insulation and coating: high resistance against heat,cold, oil,abrasion, ozone,UV and weather; with improved reaction in case of fire, low smoke,halogen free, flame free, flame retardant; flexible, easy to strip,very low space requirement, extremely mechanically robust, very long lifetime.

Code

WQ-SC-1.5-B/R	1.5 MM ² solar cable
WQ-SC-2.5-B/R	2.5 MM ² solar cable
WQ-SC-4.0-B/R	4.0 MM ² solar cable
WQ-SC-6.0-B/R	6.0 MM ² solar cable

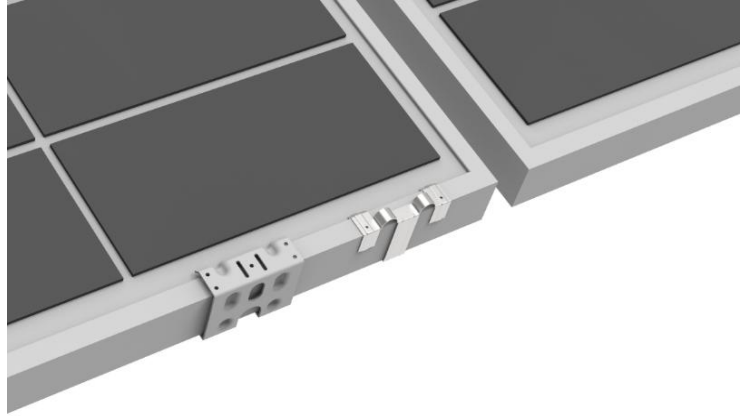


Electrical Features

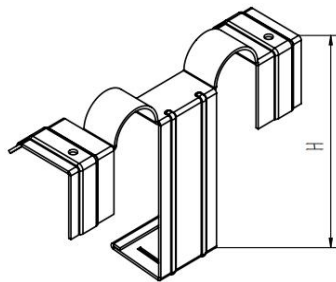
Item	Unites	Specification
Conductor resistance (20 °C)	Ω/KM	—
Insulation resistance (90 °C)	Ω/CM	≤10"
Withstand voltage	V/ 5 Min	AC6500
Lifetime	Year	≤25 years
Min.Bending Radius	—	5D



The solar panel Water Conducting Clip for making the dirty water with sand easy to flow out, which could help to increase the solar power and decline cleaning times.

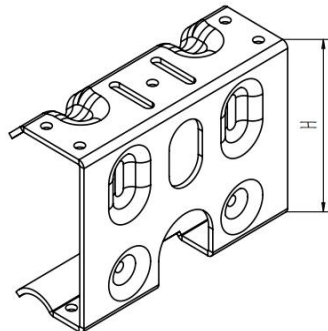
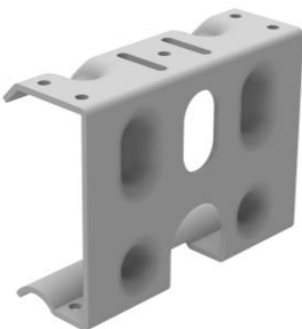


Stainless Water Conducting Clip



Code	Description	Height	Material
WQ-WCC-SS-30	SUS Water Conducting Clip,30	30mm	Stainless 304
WQ-WCC-SS-33	SUS Water Conducting Clip,33	33mm	Stainless 304
WQ-WCC-SS-35	SUS Water Conducting Clip,35	35mm	Stainless 304

Aluminium Water Conducting Clip



Code	Description	Height	Material
WQ-WCC-SS-30	SUS Water Conducting Clip,30	30mm	Aluminium 6005-T5
WQ-WCC-SS-33	SUS Water Conducting Clip,33	33mm	Aluminium 6005-T5
WQ-WCC-SS-35	SUS Water Conducting Clip,35	35mm	Aluminium 6005-T5

Easy To Mount PV System



WOCHN
EASY MOUNTING SYSTEMS

Wochn Green Energy Co.,Ltd

Add: Xicen Building 349, Qingpu District, Shanghai,China

Tel: 0086-21-39519802

Mob: 0086-15721481648

Email: sales@wochnmount.com

Web: www.wochnmounting.com