

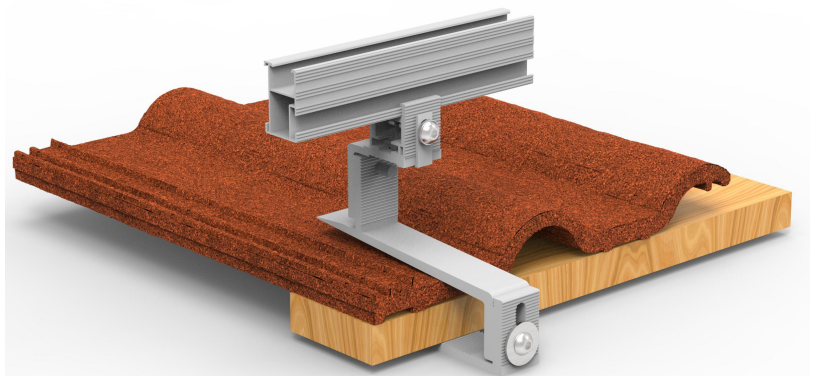
Code: WQ-AH-07

Unit: mm

Alu hook 7#

To suit:

Pantiles roof, Slate roof, Plain tiles roof,
Concrete roof
Landscape and portrait installation



Component list

	Quantity	Specification	Material
AH 07# Hook	1	127*30*35-60 mm	Alu 6005-T5
Common Rail Fix	1	/	Alu 6005-T5
Rotate Rail Fix	1	/	Alu 6005-T5