

Code: WQ-SH-19

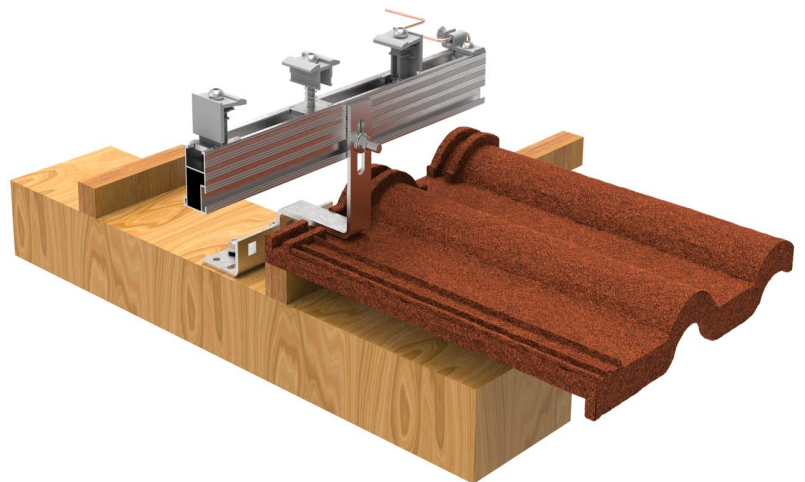
Unit: mm

Tile Roof Hook SH 19#

To suit:

Pantiles roof, Slate roof, Plain tiles roof, Flat tile roof, Spanish tile roof.

Portrait installation.



Component list

	Quantity	Specification	Material
SH 19# Hook	1	140*55*115*118 mm	SUS304
Nut kits Or T Bolt	1	J53 nut kits or M8*25 T bolt	Alu 6005-T5 or SUS 304
Wooden screw	3	M6.3*80	Dacromet SUS401