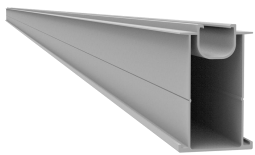


**AW 2P System**

**9# Rial System Components**



9# Rail



Rail Splice



Mid Clamp

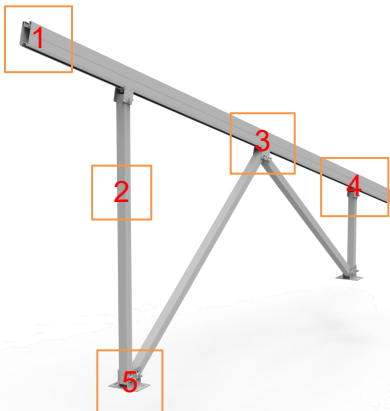


End Clamp

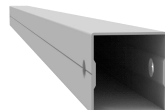


Rail Fix Kit

**AW Leg Components**



1. Beam



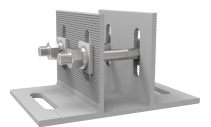
2. Tube



3. Big Transfer Kit

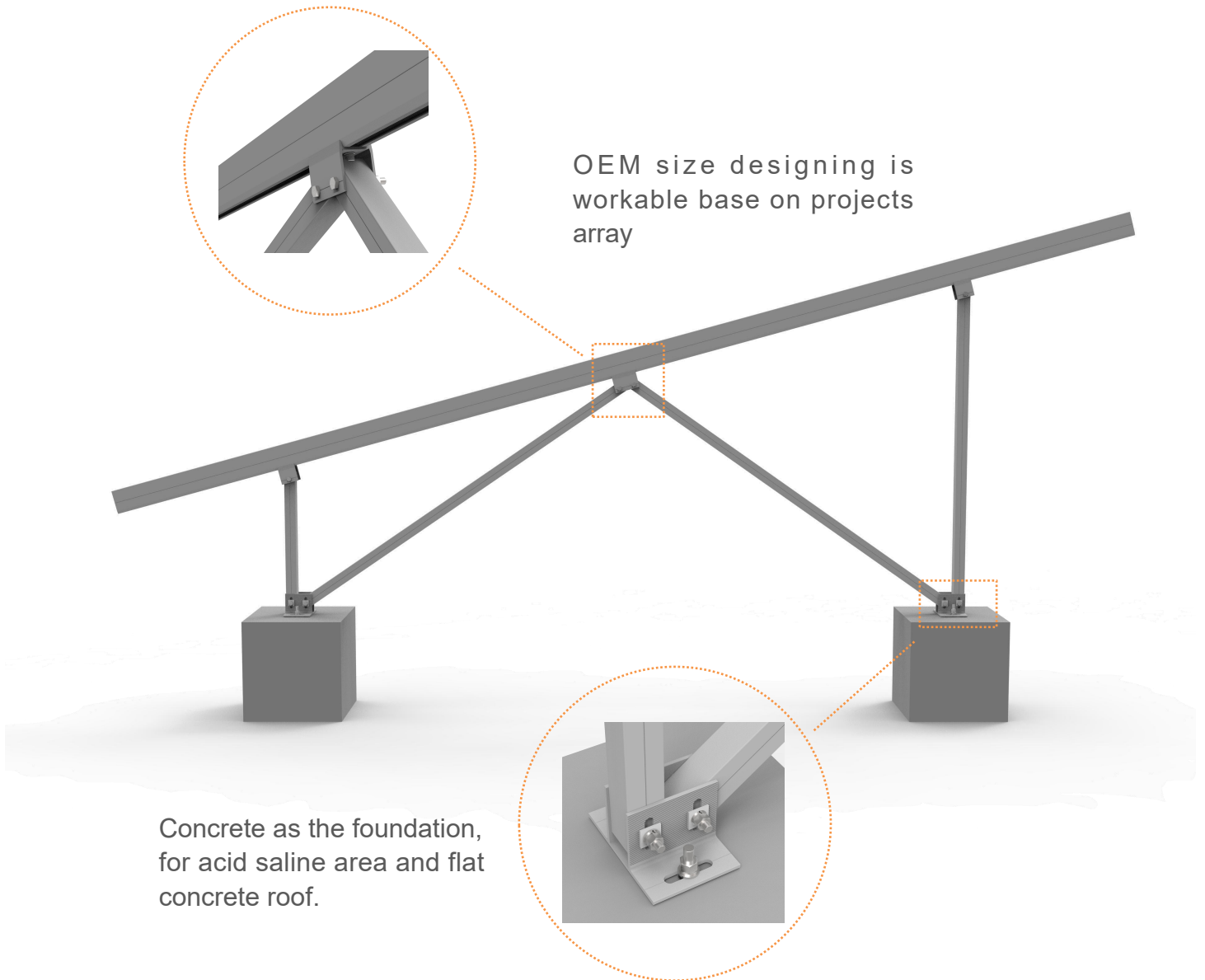


4. Small Transfer Kit



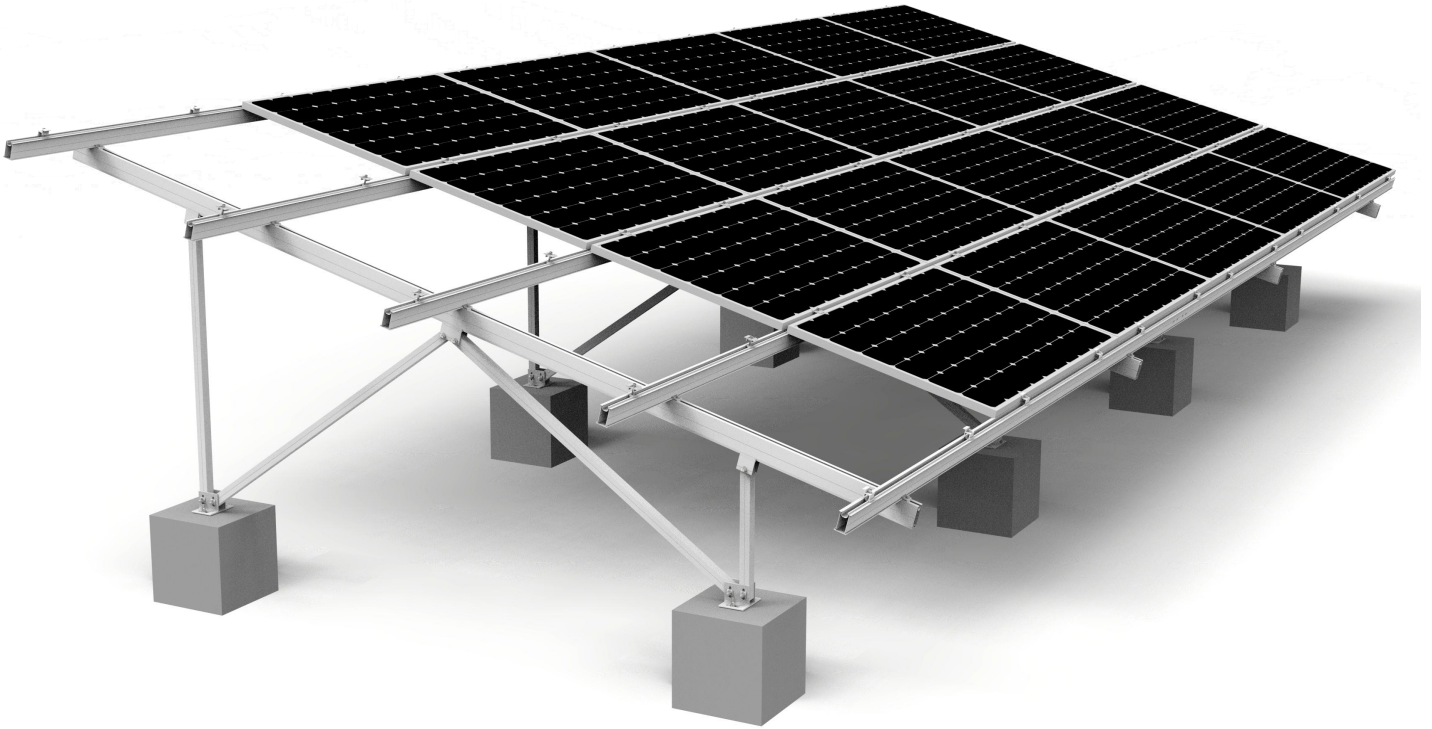
5. Base

## Unique Feature



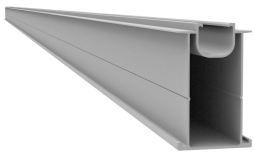
## Technical Date

Product name	AW-2P Mount System
Application	Ground and flat concrete roof
Inclination	Fixed 10/15/20/25/30 deg or customized
Material	Aluminium 6005-T5
Finish	Anodized clear, average 12um
PV module	Framed or Unframed
Module size	Small and Big modules
Module orientation	1/2/3 panels portrait
Module direction	South, North
Foundation	Concrete



**AW-4L System**

**9# Rial System Components**



9# Rail



Rail Splice



Mid Clamp

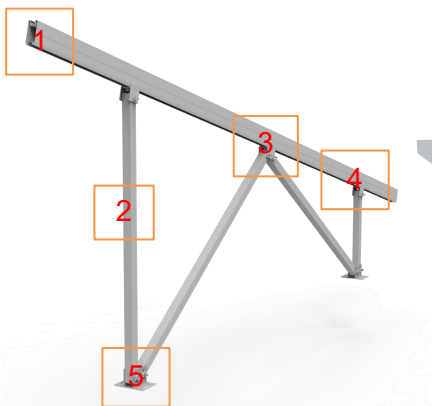


End Clamp

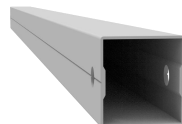


Rail Fix Kit

**AW Leg Components**



1.Beam



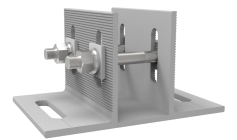
2.Tube



3.Big Transfer Kit



4.Small Transfer Kit



5.Base

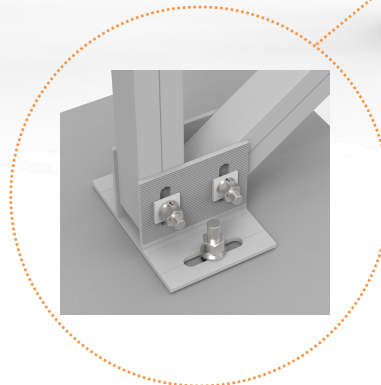
## Unique Feature



OEM size designing is workable base on projects array



Concrete as the foundation, for acid saline area and flat concrete roof.



## Technical Date

Product name	AW-4L Mount System
Application	Ground and flat concrete roof
Inclination	Fixed 10/15/20/25/30 deg or customized
Material	Aluminium 6005-T5
Finish	Anodized clear, average 12um
PV module	Framed or Unframed
Module size	Small and Big modules
Module orientation	2/3/4/5/6 panels landscape
Module direction	South, North
Foundation	Concrete