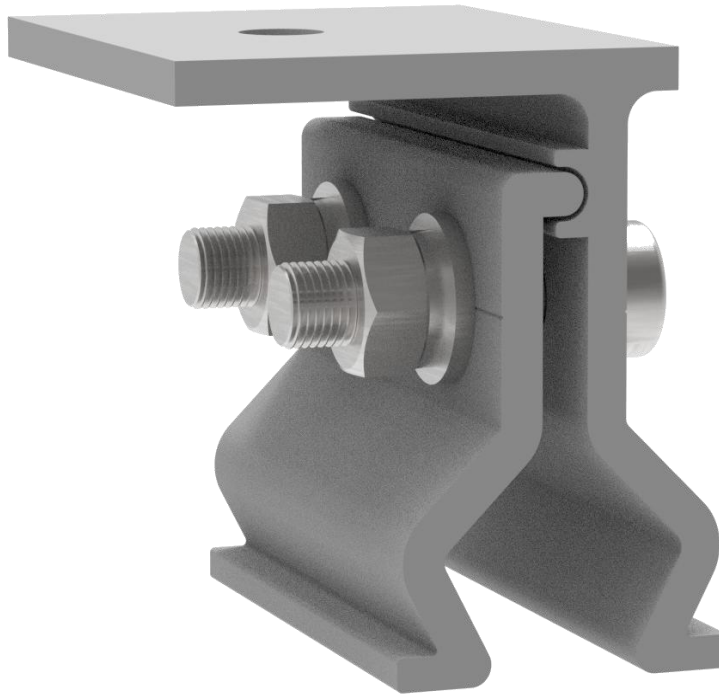
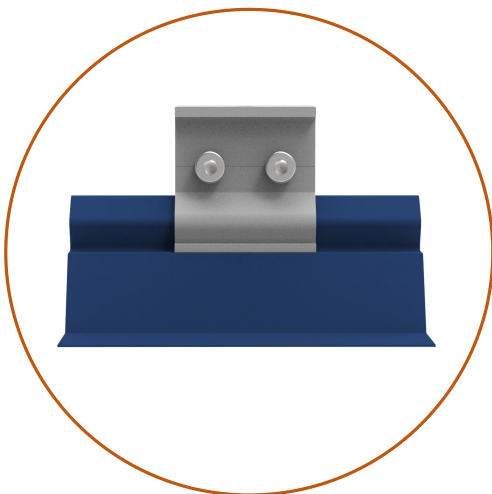


WOCHN standing seam clamp AC-05 is specifically made for V-650 metal seam roofing or with similar dimension. This clamp maintains the elegance of your standing seam roof with no penetrate to the roof material. Pre-assembled two side-bolts for quick mounting. Installation is as simple as placing the clamp on the seam and tightening the round-point setscrews to the specified tension to reach maximum holding strength.



Standing seam clamp
Item:WQ-AC-05



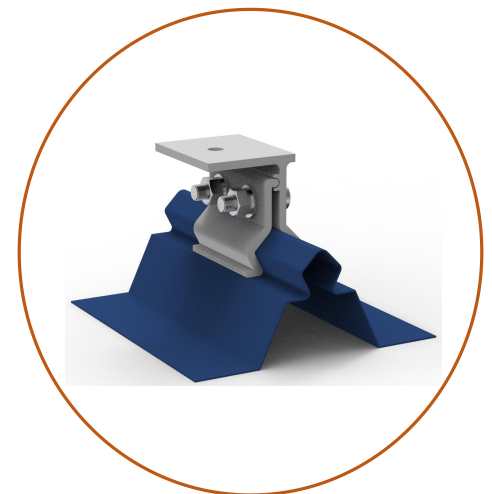
Easy Installation

Pre-assembled side-bolts for super fast installation.



Workable roof

Suitable for V-650 metal seam roofing or with similar dimension.

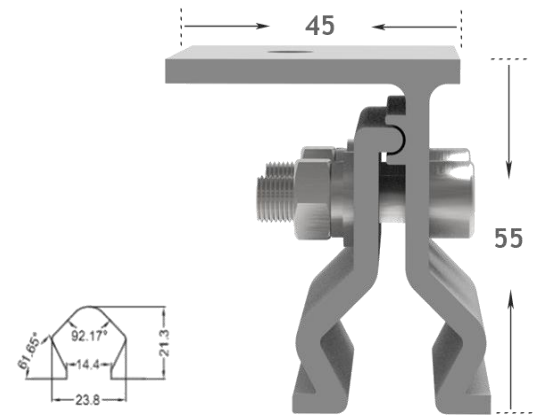


Weatherproof

No penetrative means no water leak on the roof.

Technical Data

Max pull out load vertical to roof:	7.8KN
Screw tension:	up to 4NM
Ultimate Tensile Strength:	62
Tensile Yield Strength:	42
Fatigue Strength:	100 Mpa
Shear Modulus:	26.0 Gpa
Shear Strength:	205 Mpa
Hardness, Knoop:	21
Hardness, Vickers:	701
Elongation at Break:	0.80%
Modulus of Elasticity:	69.0 Ga

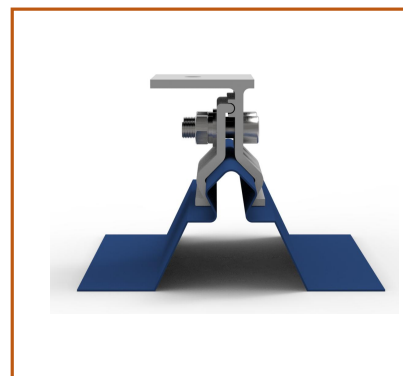


Unit: mm

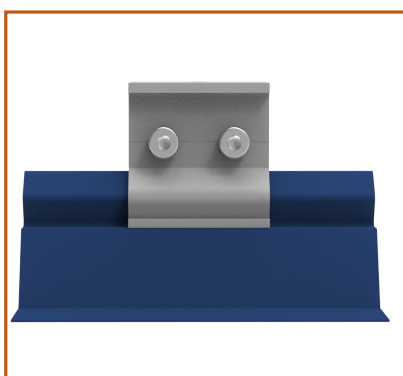
Quick Installation Guide



Step 1:
Confirm the V-650 metal seam roofing or with similar dimension.



Step 2:
Confirm the Clamp position and attach the Clamp on roof seam.



Step 3:
Fasten clamp on side with 2 blind rivets.

Torque value:
12 N.m



Step 4:
Install L feet on clamp and then connect rail system.

Torque value:
12 N.m