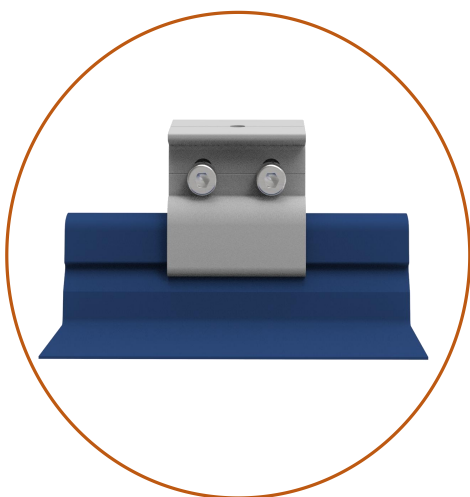


WOCHN Standing seam clamp AC-02 is specifically made for Lysaght Klip-lok 700 metal seam roofing, It's simply compatible with WOCHN L feet mount system to make the system more strong and robust. Pre-assembled side-bolts for super quick install. Installation is as simple as placing the clamp on the seam and tightening the setscrew to the specified tension to reach maximum holding strength.



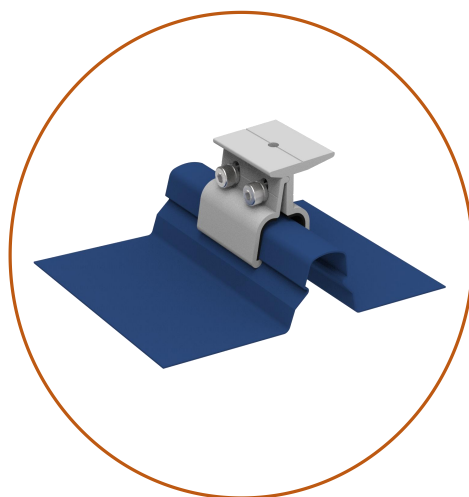
Standing seam clamp

Item:WQ-AC-02



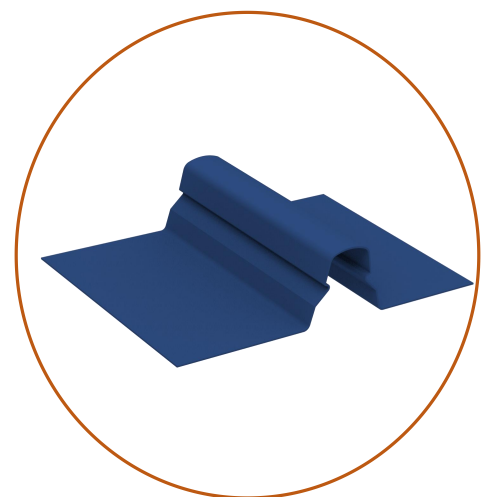
Easy Installation

Pre-assembled side-bolts for super fast installation.



Weatherproof

No penetrative means no water leak on the roof.

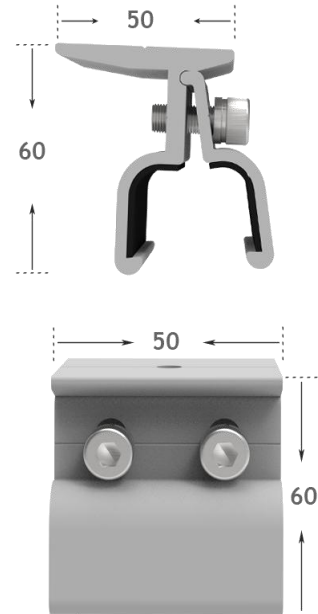


Workable roof

Suitable for Lysaght Klip-lok 700 metal seam roofing.

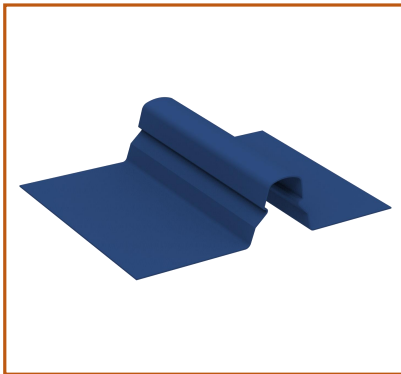
Technical Data

Max pull out load vertical to roof	7.8KN
Screw tension:	up to 4NM
Ultimate Tensile Strength:	62
Tensile Yield Strength:	42
Fatigue Strength:	100 Mpa
Shear Modulus:	26.0 Gpa
Shear Strength:	205 Mpa
Hardness, Knoop:	21
Hardness, Vickers:	701
Elongation at Break:	0.80%
Modulus of Elasticity:	69.0 Ga

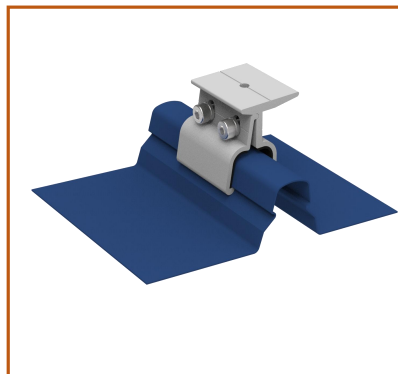


Unit: mm

Quick Installation Guide



Step 1:
Confirm the Lysaght Klip-lok 700 metal seam roofing.



Step 2:
Confirm the Clamp position and attach the Clamp on roof seam.



Step 3:
Fasten clamp on side with 2 blind rivets.

Torque value:
12 N.m



Step 4:
Install L feet on clamp and then connect rail system.

Torque value:
12 N.m