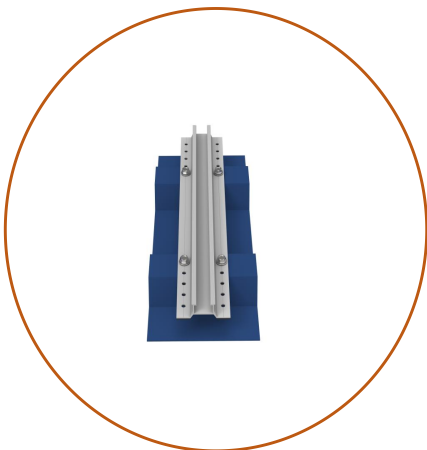


WOCHN  $\pi$  mini rail mounting system for metal sheet roof. It's a variant of Mini rail system and impresses with its universality and simplicity. The whole system consists only four components and easy to install. This system is workable for both portrait and landscape orientation. Watertight seal is dispalyed by using the four EPDM mat. Short rail system with pre-punched holes for quick mounting.



**H25 TR  $\pi$  MiniRai**

**Item:WQ-TR $\pi$ -25-400**



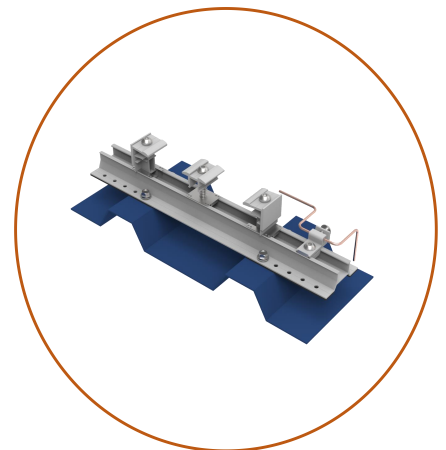
### **Rail-less**

No long rail, easy to handle to save installation and labor cost



### **Weatherproof**

EPDM pad pre-pasted for water-proof on metal sheet roof.

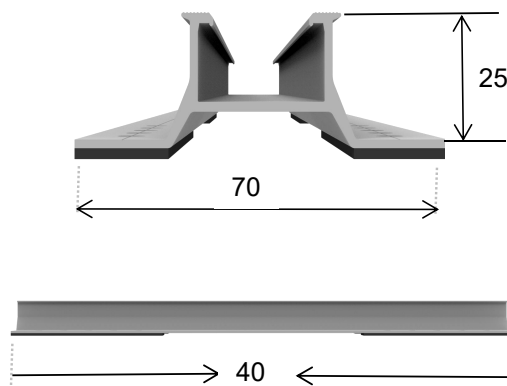


### **Fast Installation**

Only 4 components required to fix solar modules

## Technical Data

Product name	π MiniRail system
Application	Trapezoidal, sandwich, corrugated Sheet
Inclination	Any roof inclination
Material	Stainless SUS304
Color	Nature
PV module	Framed or Unframed
Module size	Small and Big modules
Module direction	Any direction
Design wind loading	Up to 60m/s
Design snow loading	Up to 1 metre
Roof height	Up to 20 metre
Design Standard	EN1991,AS1170,UL1703,JIS C 8955:2011,CE,TUV



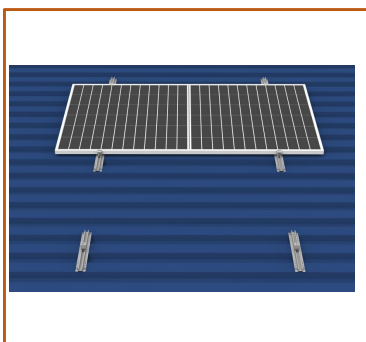
## Quick Installation Guide



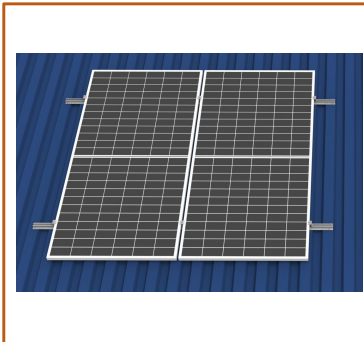
**Step 1:**  
After confirming the position, put π Mini rail on metal sheet and fasten by four screw.



**Step 2:**  
Install all π Mini rail on metal sheet roof.



**Step 3:**  
Install solar module with mid and end clamps on the π Mini rail.



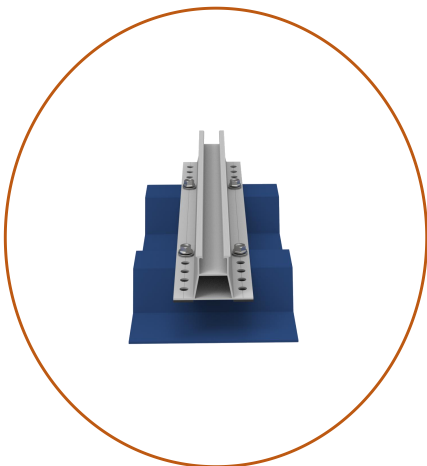
**Step 4:**  
Finish all solar modules installation one by one.

WOCHN  $\pi$  mini rail mounting system for metal sheet roof. It's a variant of Mini rail system and impresses with its universality and simplicity. The whole system consists only four components and easy to install. This system is workable for both portrait and landscape orientation. Watertight seal is dispalyed by using the four EPDM mat. Short rail system with pre-punched holes for quick mounting.



**H40 TR  $\pi$  MiniRail**

**Item:WQ-TR $\pi$ -40-400**



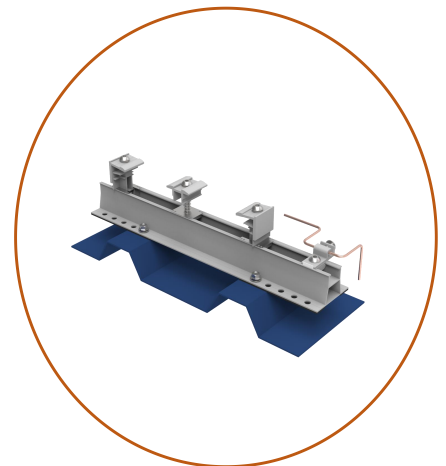
**Rail-less**

No long rail, easy to handle to save installation and labor cost



**Weatherproof**

EPDM pad pre-pasted for water-proof on metal sheet roof.

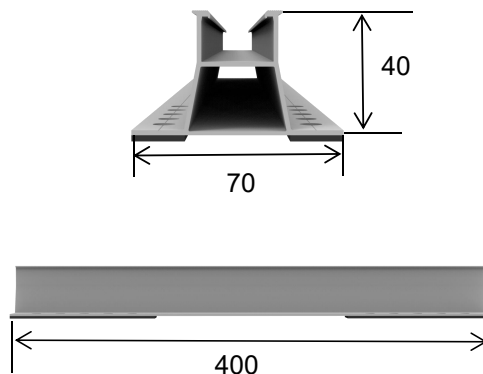


**Fast Installation**

Only 4 components required to fix solar modules

## Technical Data

Product name	π MiniRail System
Application	Trapezoidal, sandwich, corrugated Sheet
Inclination	Any roof inclination
Material	Any direction
Color	Nature
PV module	Framed or Unframed
Module size	Small and Big modules
Module direction	Any direction
Design wind loading	Up to 60m/s
Design snow loading	Up to 1 metre
Roof height	Up to 20 metre
Design Standard	EN1991, AS1170, UL1703, JIS C 8955:2011, CE, TUV

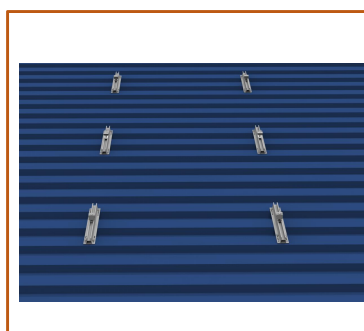


Unit: mm

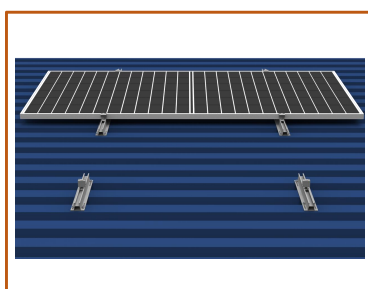
## Quick Installation Guide



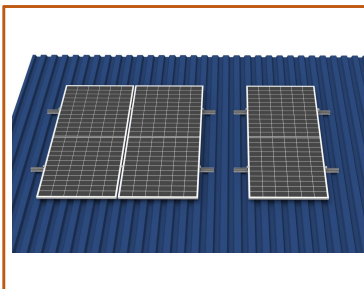
**Step 1:**  
After confirming the position, put π Mini rail on metal sheet and fasten by four screw.



**Step 2:**  
Install all π Mini rail on metal sheet roof.



**Step 3:**  
Install solar module with mid and end clamps on the π Mini rail.



**Step 4:**  
Finish all solar modules installation one by one.



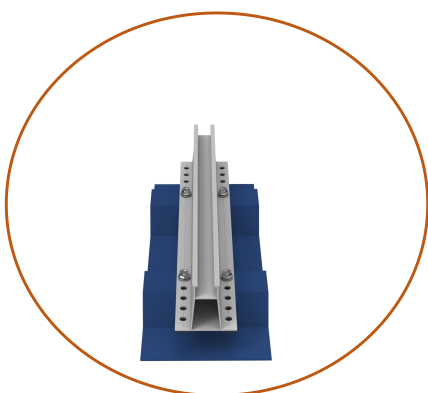
# Data Sheet

EASY TO MOUNT PV SYSTEMS  
E A S Y T O M O U N T I N G S Y S T E M S for metal sheet roof. It's a variant of Mini rail system and impresses with its universality and simplicity. The whole system consists only four components and easy to install. This system is workable for both portrait and landscape orientation. Watertight seal is dispalyed by using the four EPDM mat. Short rail system with pre-punched holes for quick mounting.



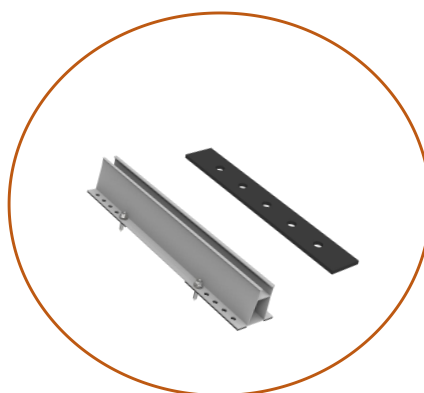
H60 TR π MiniRail

Item:WQ-TRΠ-60-400



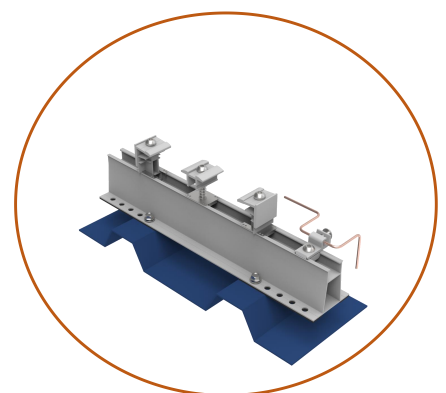
### Rail-less

No long rail, easy to handle to save installation and labor cost



### Weatherproof

EPDM pad pre-pasted for water-proof on metal sheet roof.

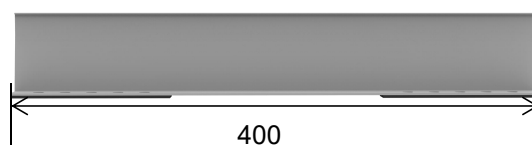
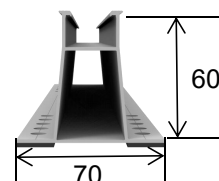


### Fast Installation

Only 4 components required to fix solar modules

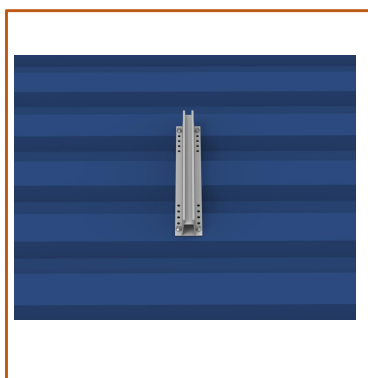
## Technical Data

Product name	π MiniRail System
Application	Trapezoidal, sandwich, corrugated Sheet
Inclination	Any roof inclination
Material	Stainless SUS304
Color	Nature
PV module	Framed or Unframed
Module size	Small and Big modules
Module direction	Any direction
Design wind loading	Up to 60m/s
Design snow loading	Up to 1 metre
Roof height	Up to 20 metre
Design Standard	EN1991,AS1170,UL1703,JIS C 8955:2011,CE,TUV

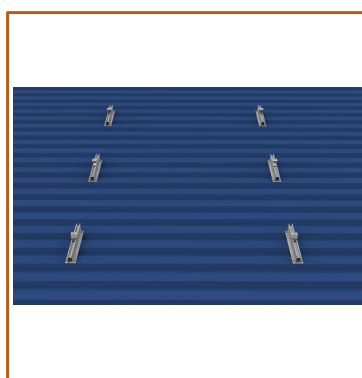


Unit: mm

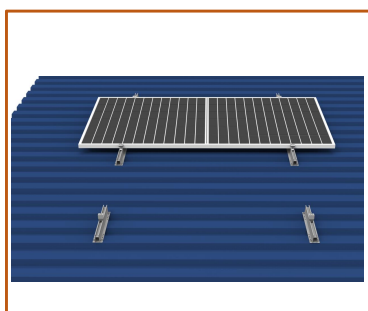
## Quick Installation Guide



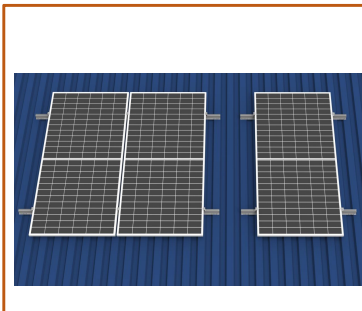
**Step 1:**  
After confirming the position, put π Mini rail on metal sheet and fasten by four screw.



**Step 2:**  
Install all π Mini rail on metal sheet roof.



**Step 3:**  
Install solar module with mid and end clamps on the π Mini rail.



**Step 4:**  
Finish all solar modules installation