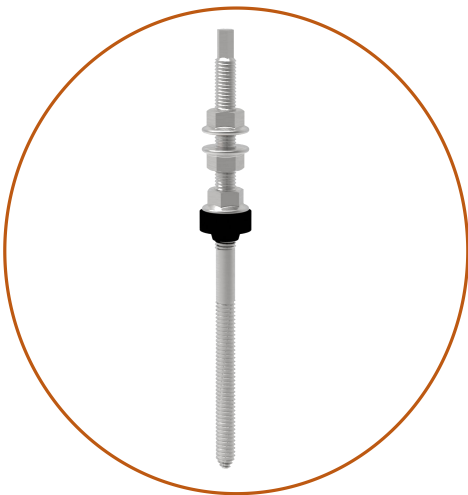


WOCHN Hanger bolt is versatile component for pv-installation. It is suitable for almost all types of roof with wooden substructure. It's impressive load capacities make the system reliable and robust. Using the universal flat plate connection fitted to the hanger bolt, you can simply compatible with any rail systems. And the EPDM rubber on the hanger bolt ensures a 100% watertight seal of the roof. Available in various size for your needs.



Hanger bolt
Item:WQ-SH



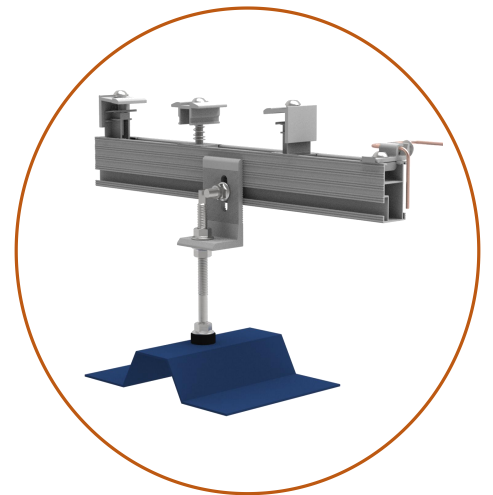
Long Durable

Strong wind and snow loading ability for hurricane area and big snow area



Weatherproof

EPDM ring pre-pasted for water-proof on roof.

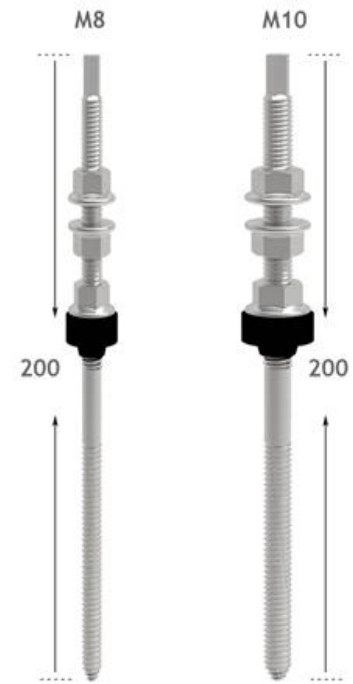


Easy Installation

Easy to mount on roof with L feet and rail system.

Technical Data

Product name	Hanger bolt Mount system
Application	Roof with wooden substructure
Inclination	Any roof inclination
Material	Aluminium 6005-T5
Color	Nature
PV module	Framed or Unframed
Module size	Small and Big modules
Module direction	Portrait and Landscape
Design wind loading	Up to 60m/s
Design snow loading	Up to 1 metre
Roof height	Up to 20 metre
Design Standard	EN1991, AS1170, UL1703

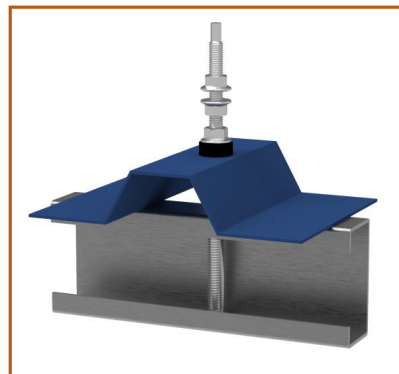


Unit: mm

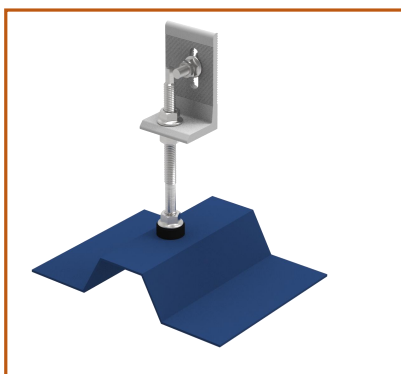
Quick Installation Guide



Step 1:
Confirm the roof beam as wooden substructure.



Step 2:
Screwing- in hanger bolt on the roof to roof beam.



Step 3:
Screwing-in L feet on the top.



Step 4:
Install the rail system and fix solar modules.