

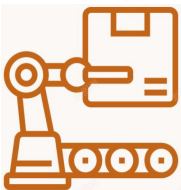
## Ground and Carport Solar Mounting System

2023 Version1

- Premium materials
- Precision without cutting
- Pre-assembled & height adjustable
- Full warranties & first-class service
- All improved & patented

# Content

|                            |       |
|----------------------------|-------|
| AW-2PC System              | 1-2   |
| AW-2PGC System             | 3-4   |
| AW-4PC System              | 5-6   |
| AW-4PGC System             | 7-8   |
| SP System                  | 9-10  |
| DP System                  | 11-12 |
| Water Proof Carport System | 13-14 |



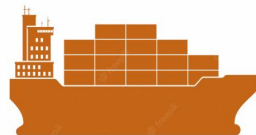
2GW+ annual output



15 years Experienced Team



Installed in 100+ Countries



Direct racking supply,  
6GW shipment By 2022



OEM manufacturing and  
designing ability depend on  
AS1170, JISC, UL, SGS, TUV  
standard



10000+ completed solar  
plant

# About us

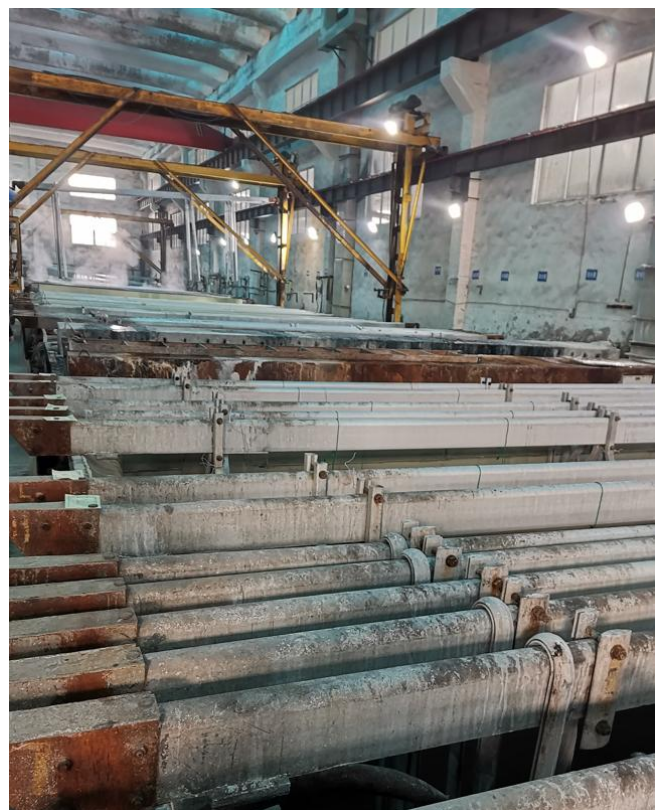
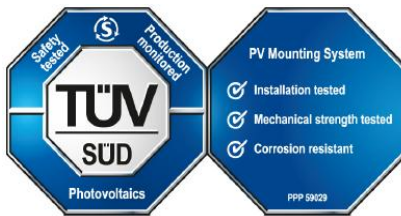
## WOCHN Green Energy Co.,Ltd

WOCHN Energy is a high-tech company which specializes in designing, manufacturing, selling solar mounting system. Headquartered in Shanghai, WOCHN has invested two factories in Xiamen & Zhejiang. WOCHN built partnerships with 5 main distributors overseas and keep expanding its sale network worldwide.

WOCHN's products and services have become synonymous with quality and innovation, delivering a wide range of solutions to the industry, its professional and friendly service is globally renowned by customers.

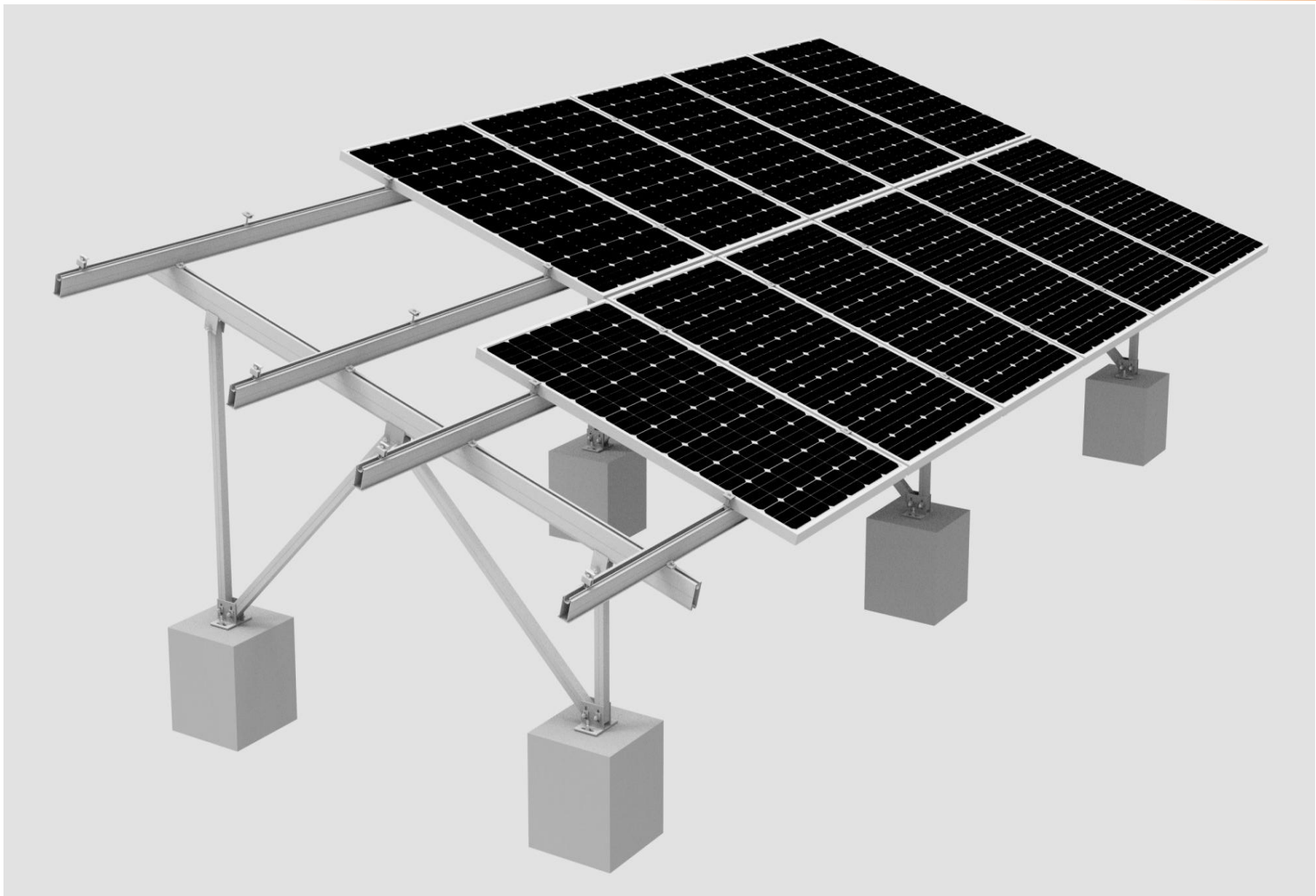
WOCHN offering innovative design and integrative settlement solution to our customers based on years of experiences on design, production and sale. We achieved good trust from customers because of our stable and excellent products. We will try our best to become a world leading level of solar photovoltaic systems integration solutions supplier.

WOCHN is committed to locally delivering a wide range of products and services: local distributor investigating at site, delivering goods soonest, offering the best after-sales service. Our customers count on us before, during and after the installation. You can rest assured that when you partner





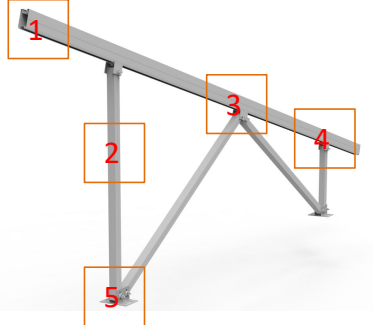
# AW-2PC System



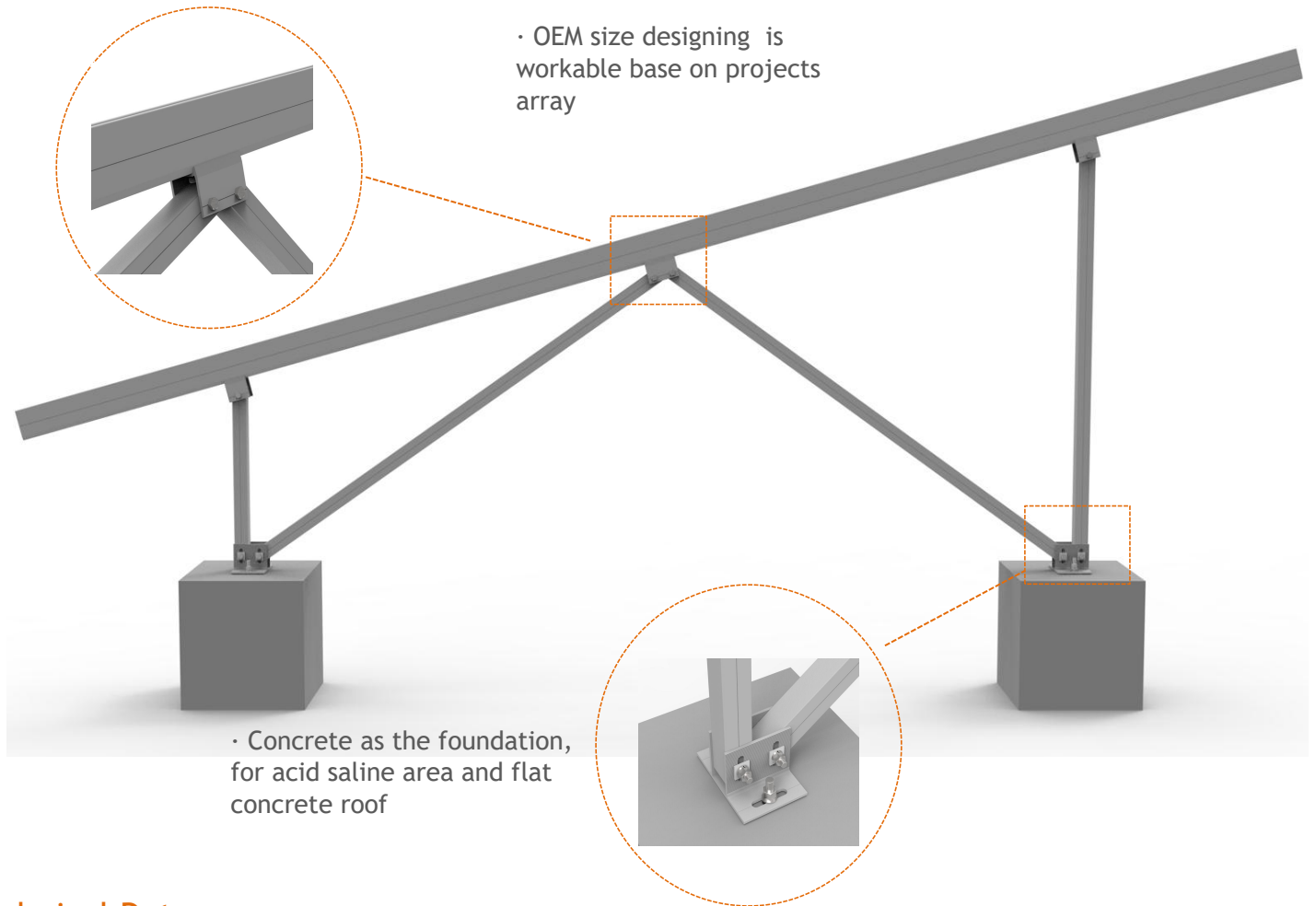
## 9# Rail System Components



## AW Leg Components



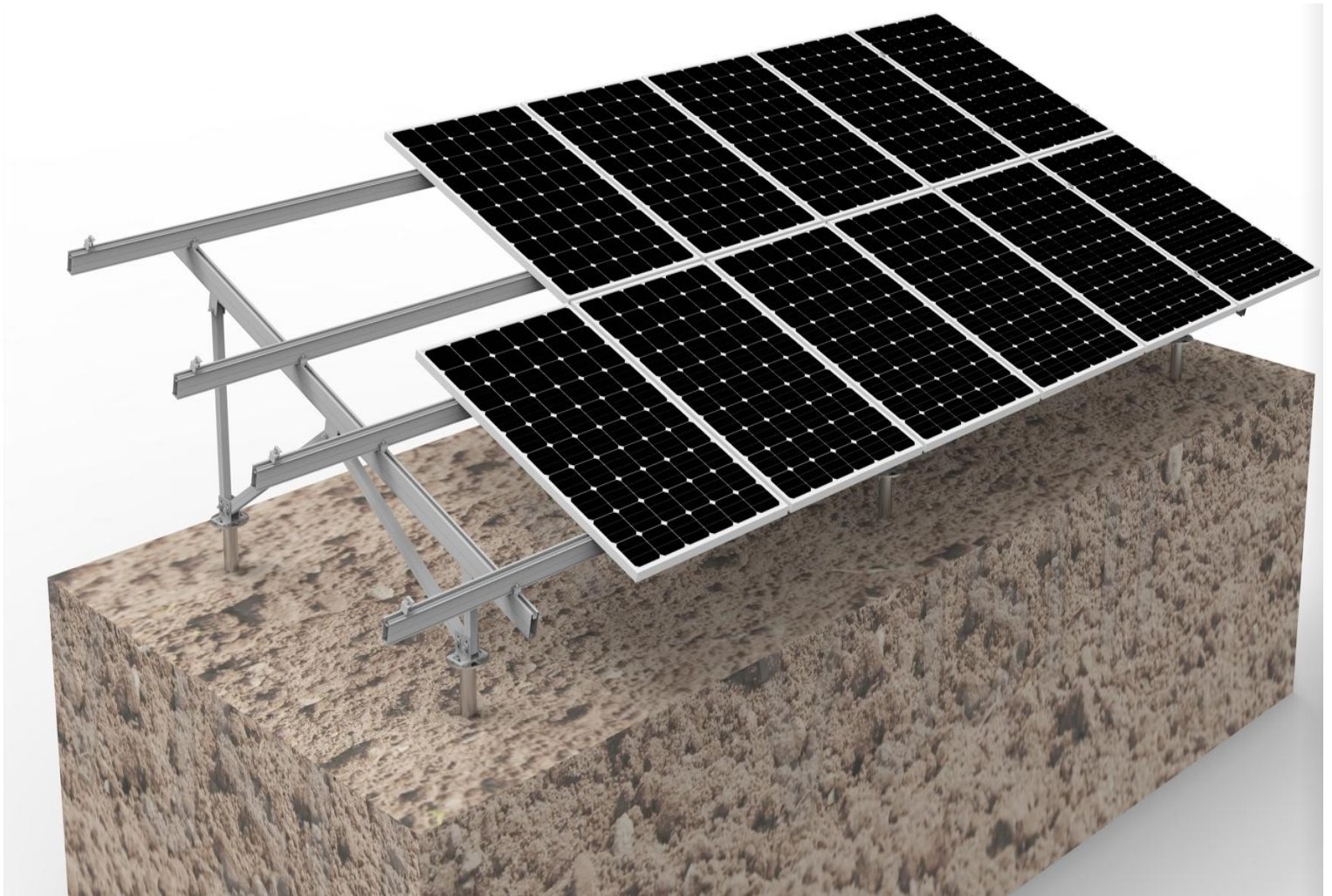
## Unique Feature



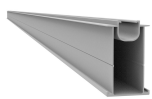
## Technical Data

|                    |  |
|--------------------|--|
| Product name       | AW-2PC Mount System                    |
| Application        | Ground and flat concrete concrete roof |
| Inclination        | Fixed 10/15/20/25/30 deg or customized |
| Material           | Aluminum 6005 T5                       |
| Finish             | Anodized clear, average 12um           |
| PV module          | Framed or Unframed                     |
| Module size        | Small and Big modules                  |
| Module orientation | 1/2/3 panels Portrait                  |
| Module direction   | South , North                          |
| Foundation         | Concrete                               |

# AW-2PGS System



## 9# Rail System Components



9# Rail



Rail Splice



Mid Clamp



End Clamp

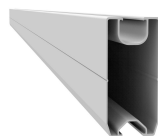
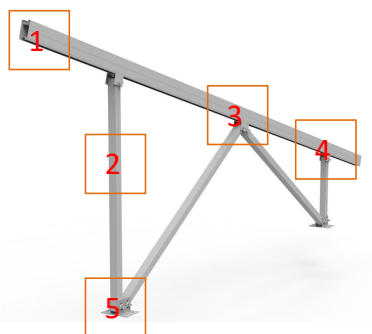


Rail Fix Kit

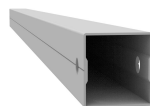


Ground Screw

## AW Leg Components



1. Beam



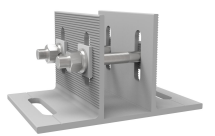
2. Tube



3. Big Transfer Kit

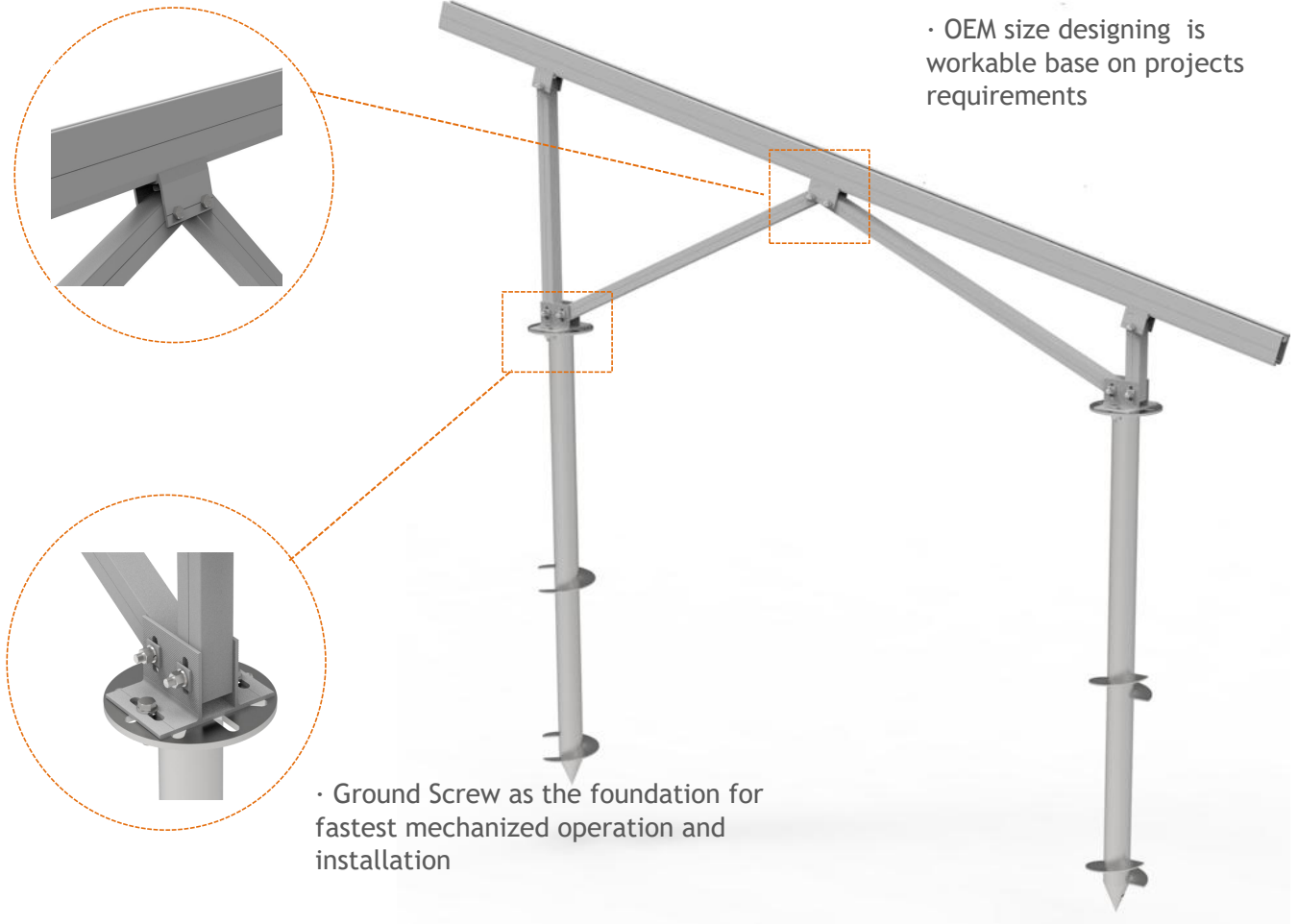


4. Small Transfer Kit



5. Base

## Unique Feature

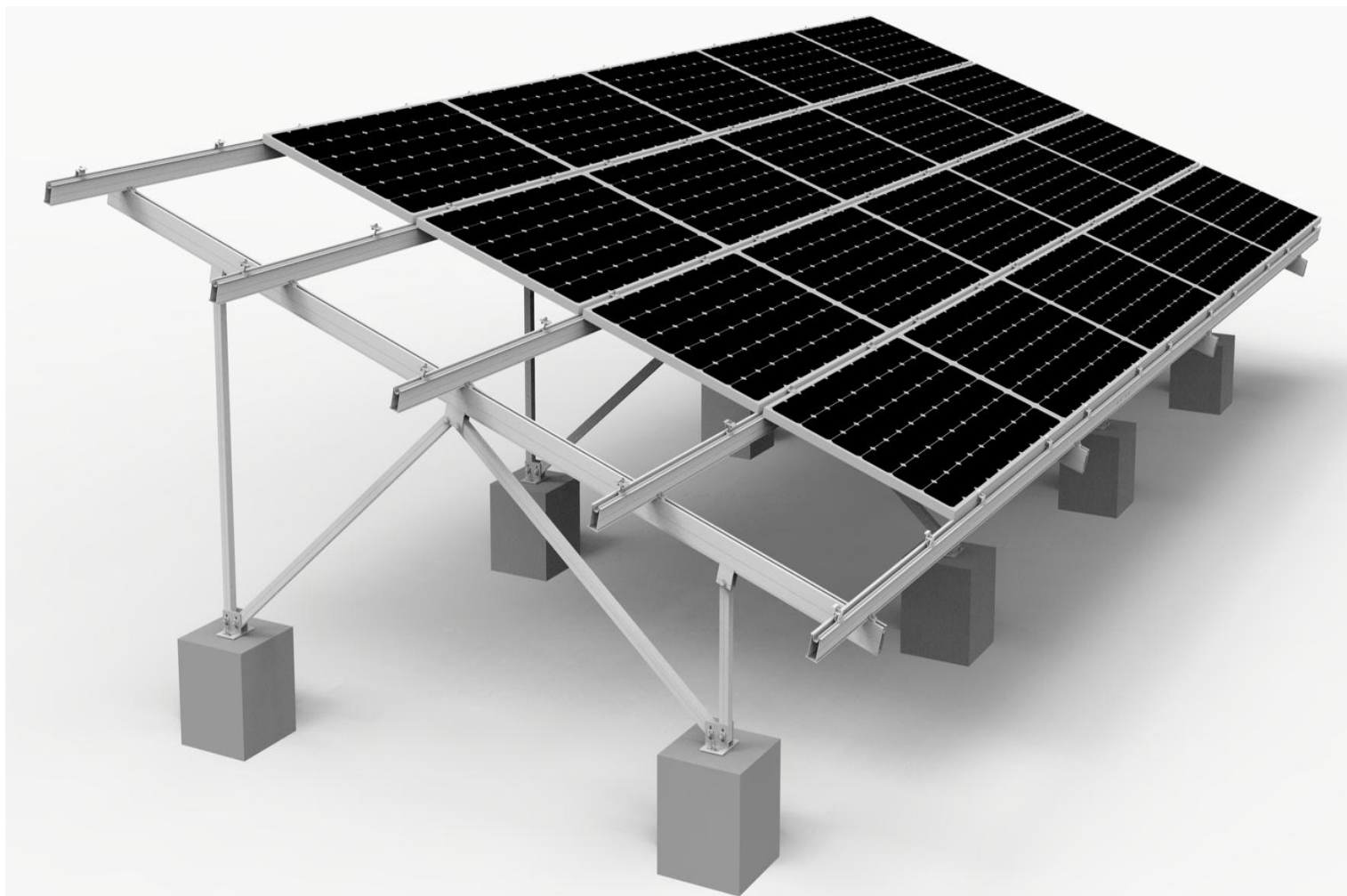


## Technical Data

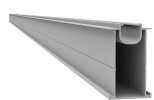
|                    |  |
|--------------------|--|
| Product name       | AW-2PGC Mount System                   |
| Application        | Flat Ground or Slop Ground             |
| Inclination        | Fixed 10/15/20/25/30 deg or customized |
| Material           | Aluminum 6005 T5                       |
| Finish             | Anodized clear, average 12um           |
| PV module          | Framed or Unframed                     |
| Module size        | Small and Big modules                  |
| Module orientation | 1/2/3 panels Portrait                  |
| Module direction   | South , North                          |
| Foundation         | Ground Screw                           |



# AW-4LC System



## 9# Rail System Components



9# Rail



Rail Splice



Mid Clamp

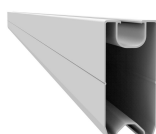
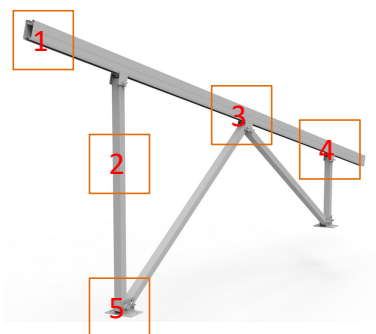


End Clamp

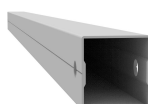


Rail Fix Kit

## AW Leg Components



1. Beam



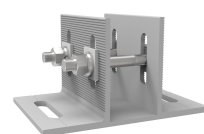
2. Tube



3. Big Transfer Kit



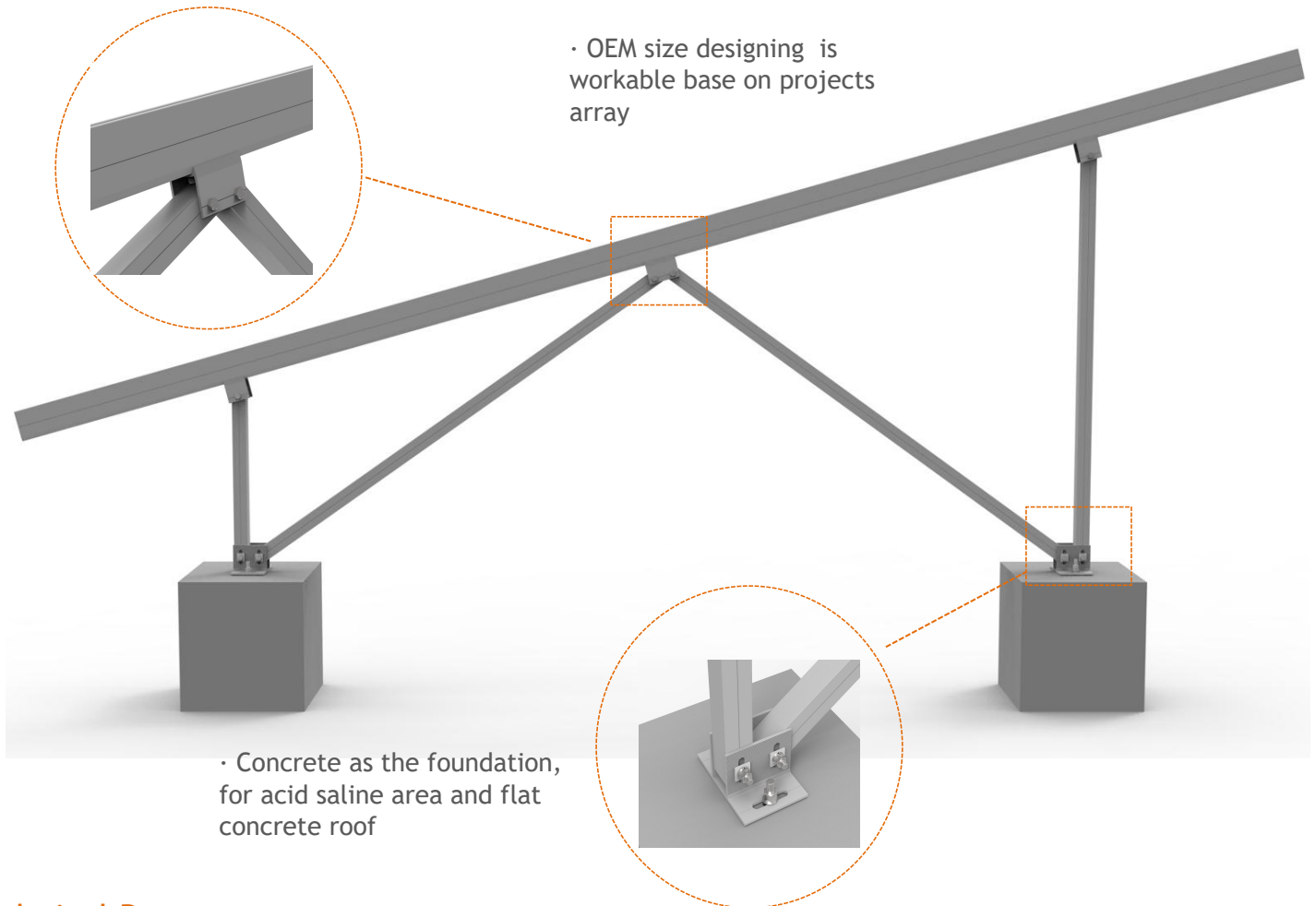
4. Small Transfer Kit



5. Base



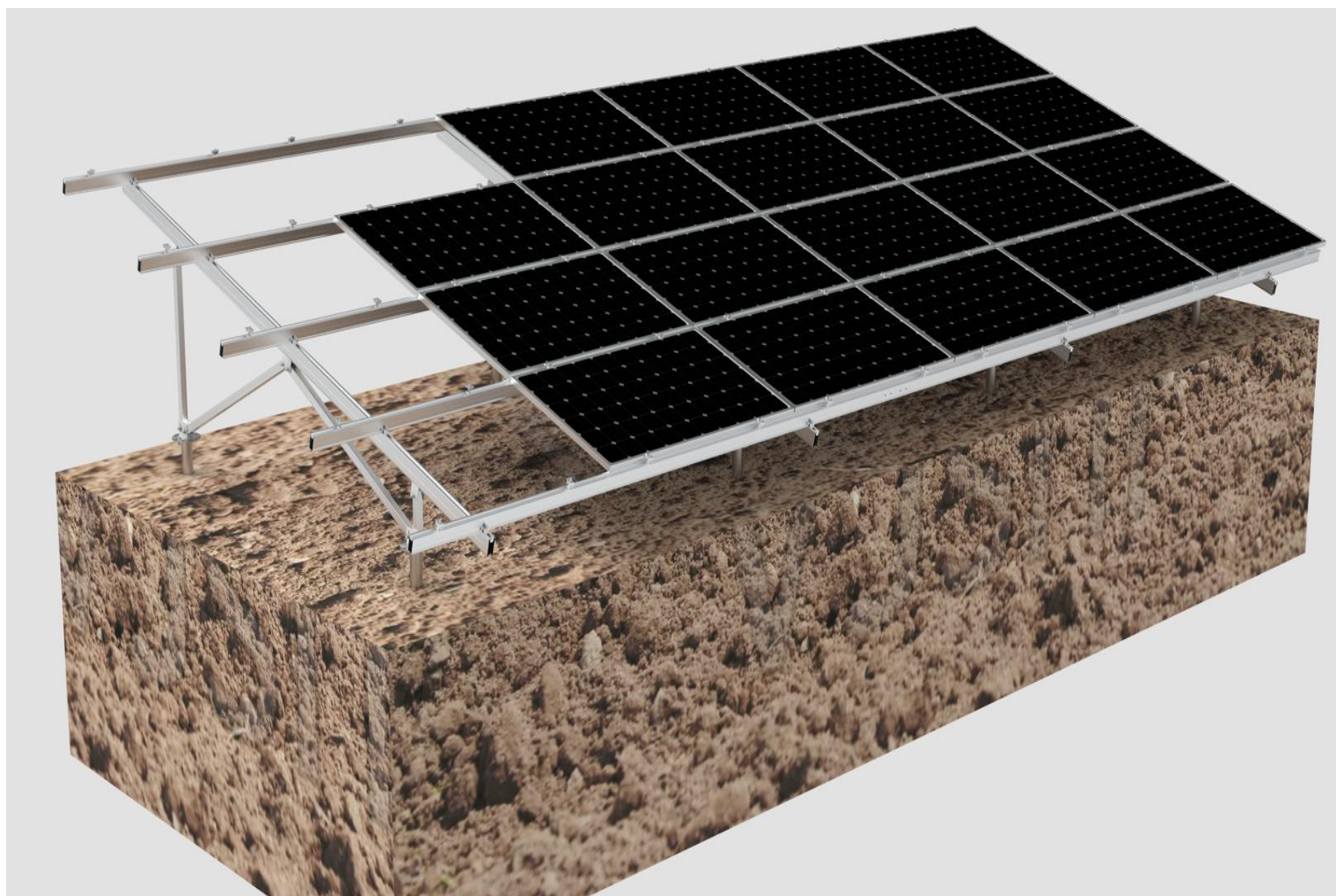
## Unique Feature



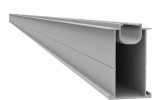
## Technical Data

|                    |  |
|--------------------|--|
| Product name       | AW-4L Mount System                     |
| Application        | Ground and flat concrete concrete roof |
| Inclination        | Fixed 10/15/20/25/30 deg or customized |
| Material           | Aluminum 6005 T5                       |
| Finish             | Anodized clear, average 12um           |
| PV module          | Framed or Unframed                     |
| Module size        | Small and Big modules                  |
| Module orientation | 2 / 3 / 4 / 5 / 6 panels landscape     |
| Module direction   | South , North                          |
| Foundation         | Concrete                               |

# AW-2PGS System



## 9# Rail System Components



9# Rail



Rail Splice



Mid Clamp



End Clamp

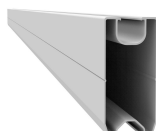
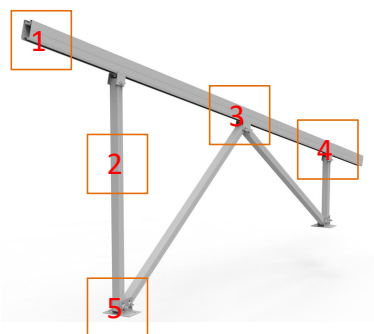


Rail Fix Kit

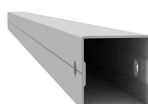


Ground Screw

## AW Leg Components



1. Beam



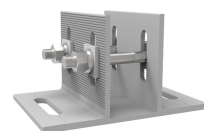
2. Tube



3. Big Transfer Kit

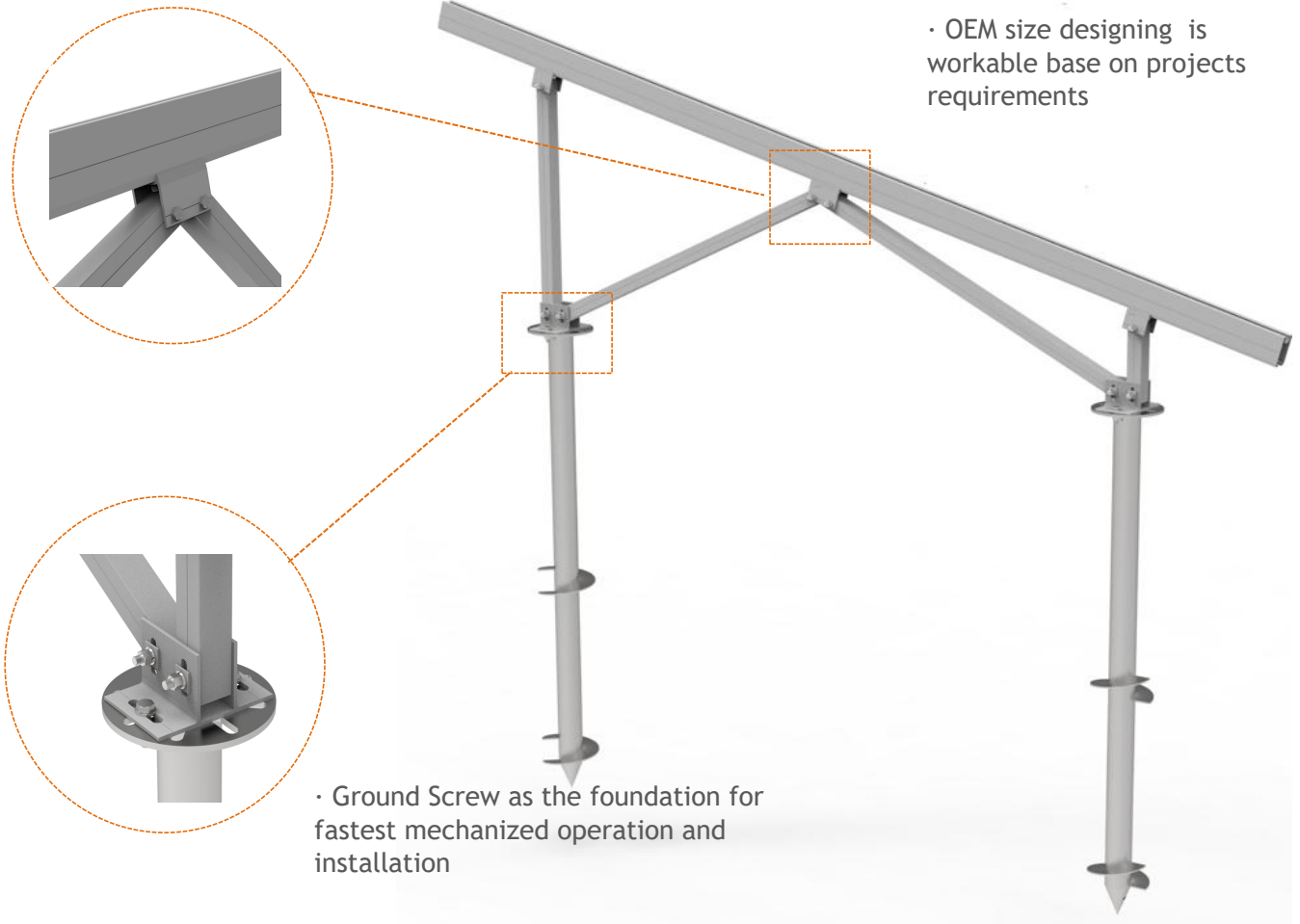


4. Small Transfer Kit



5. Base

## Unique Feature

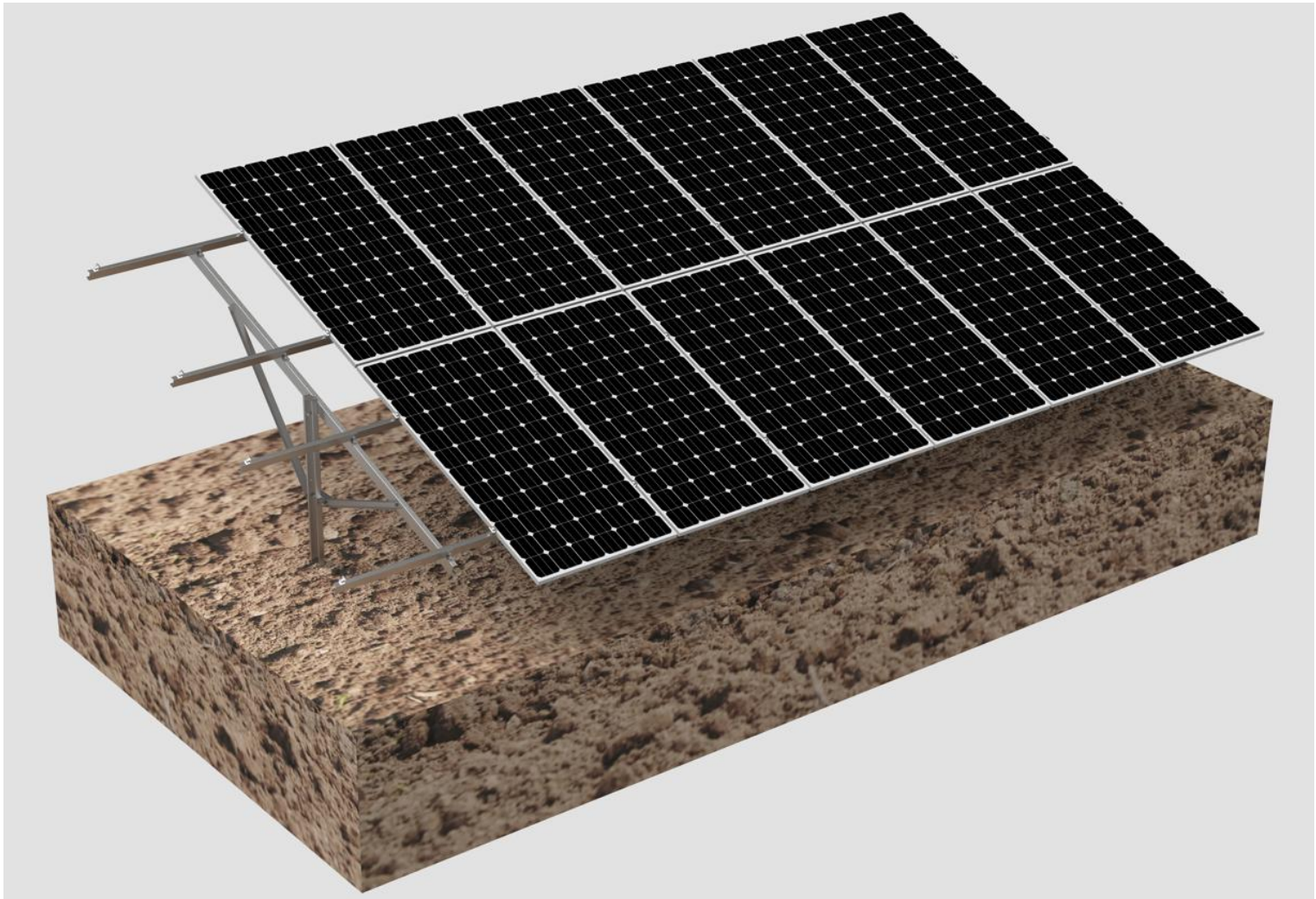


## Technical Data

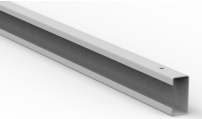
|                    |  |
|--------------------|--|
| Product name       | AW-2P Mount System                     |
| Application        | Flat Ground or Slop Ground             |
| Inclination        | Fixed 10/15/20/25/30 deg or customized |
| Material           | Aluminum 6005 T5                       |
| Finish             | Anodized clear, average 12um           |
| PV module          | Framed or Unframed                     |
| Module size        | Small and Big modules                  |
| Module orientation | 2 / 3 / 4 / 5 / 6 panels landscape     |
| Module direction   | South , North                          |
| Foundation         | Ground Screw                           |



# SP Pile System



## C Section Rail System Components



C Section Rail



C Rail Splice



Mid Clamp

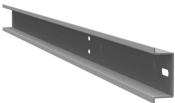
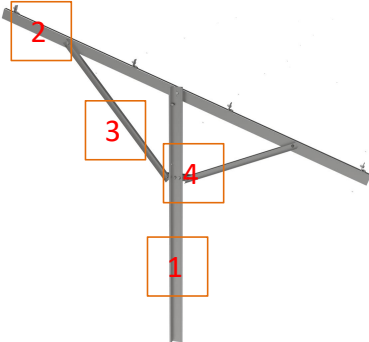


End Clamp

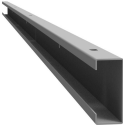


Rail Fix Kit

## SP Leg Components



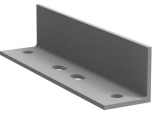
1. Pillar



2. Beam



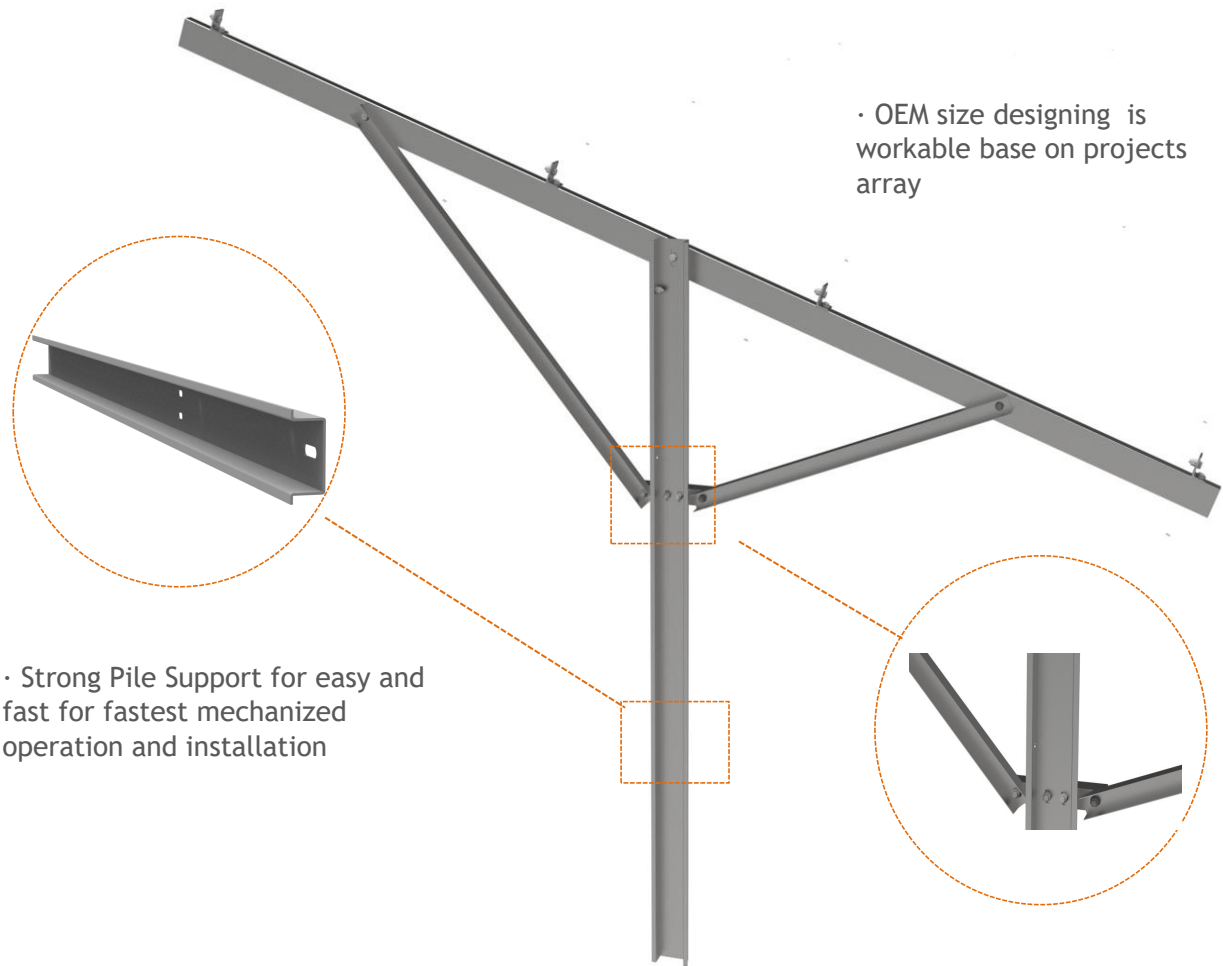
3. Side Support



4. Transfer Kit



## Unique Feature



· OEM size designing is workable base on projects array

· Strong Pile Support for easy and fast for fastest mechanized operation and installation

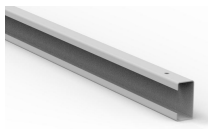
## Technical Data

|                    |   |
|--------------------|---|
| Product name       | AW-2P Mount System                      |
| Application        | Ground and flat concrete concrete roof  |
| Inclination        | Fixed 10/15/20/25/30 deg or customized  |
| Material           | Q235B                                   |
| Finish             | Hot dip Galvanaized Steel, average 75um |
| PV module          | Framed or Unframed                      |
| Module size        | Small and Big modules                   |
| Module orientation | Portrait and landscape                  |
| Module direction   | South , North                           |
| Foundation         | Pile                                    |

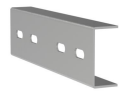
# DP Pile System



## C Section Rail System Components



C Section Rail



C Rail Splice



Mid Clamp

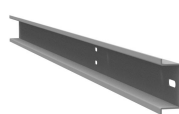
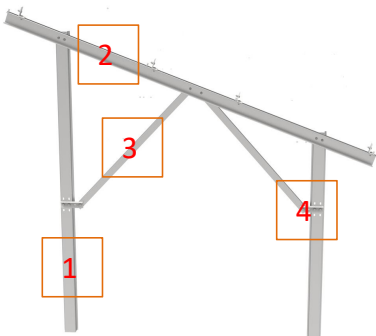


End Clamp

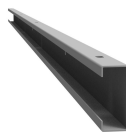


Rail Fix Kit

## SP Leg Components



1. Pillar



2. Beam



3. Side Support

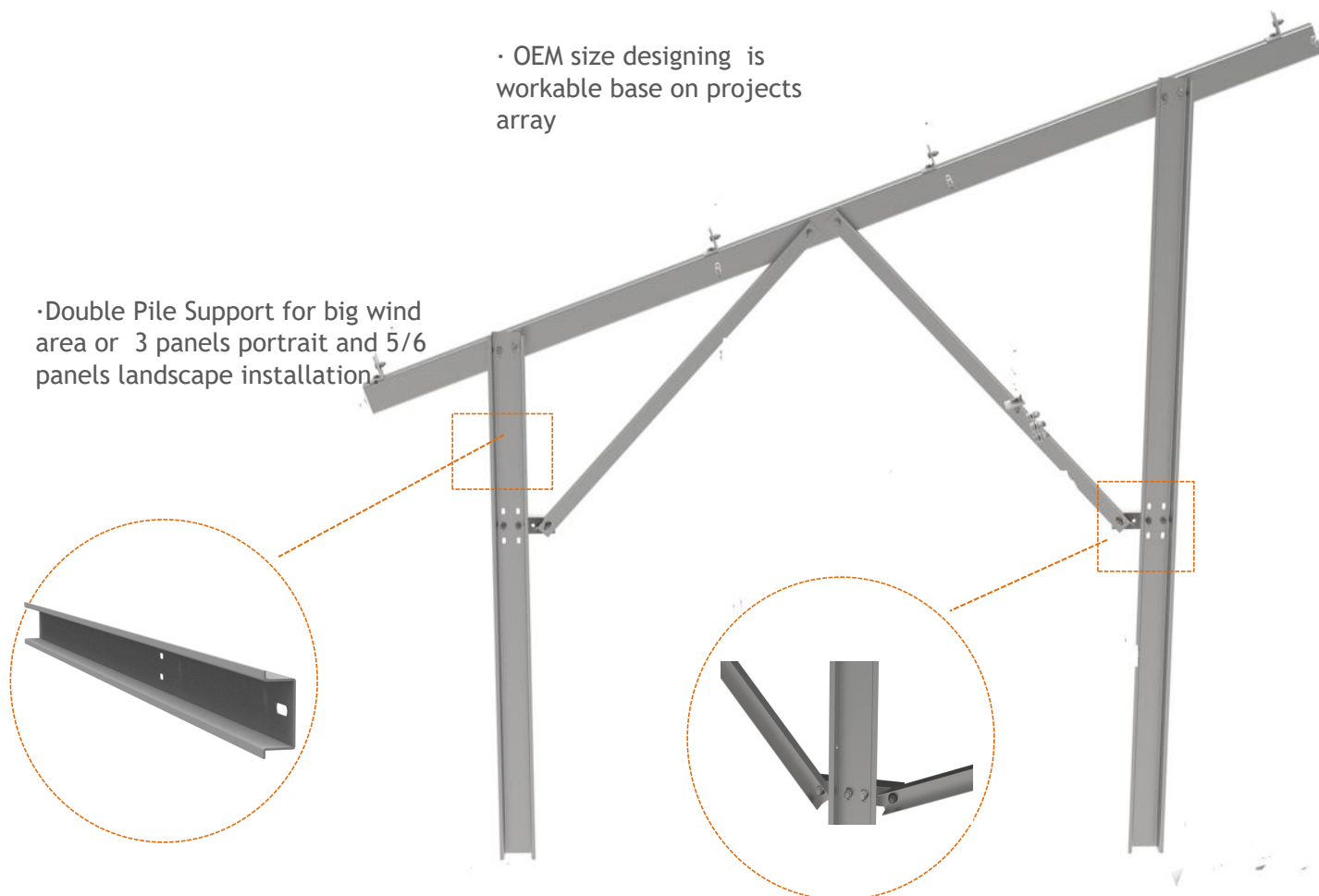


4. Transfer Kit

## Unique Feature

· OEM size designing is workable base on projects array

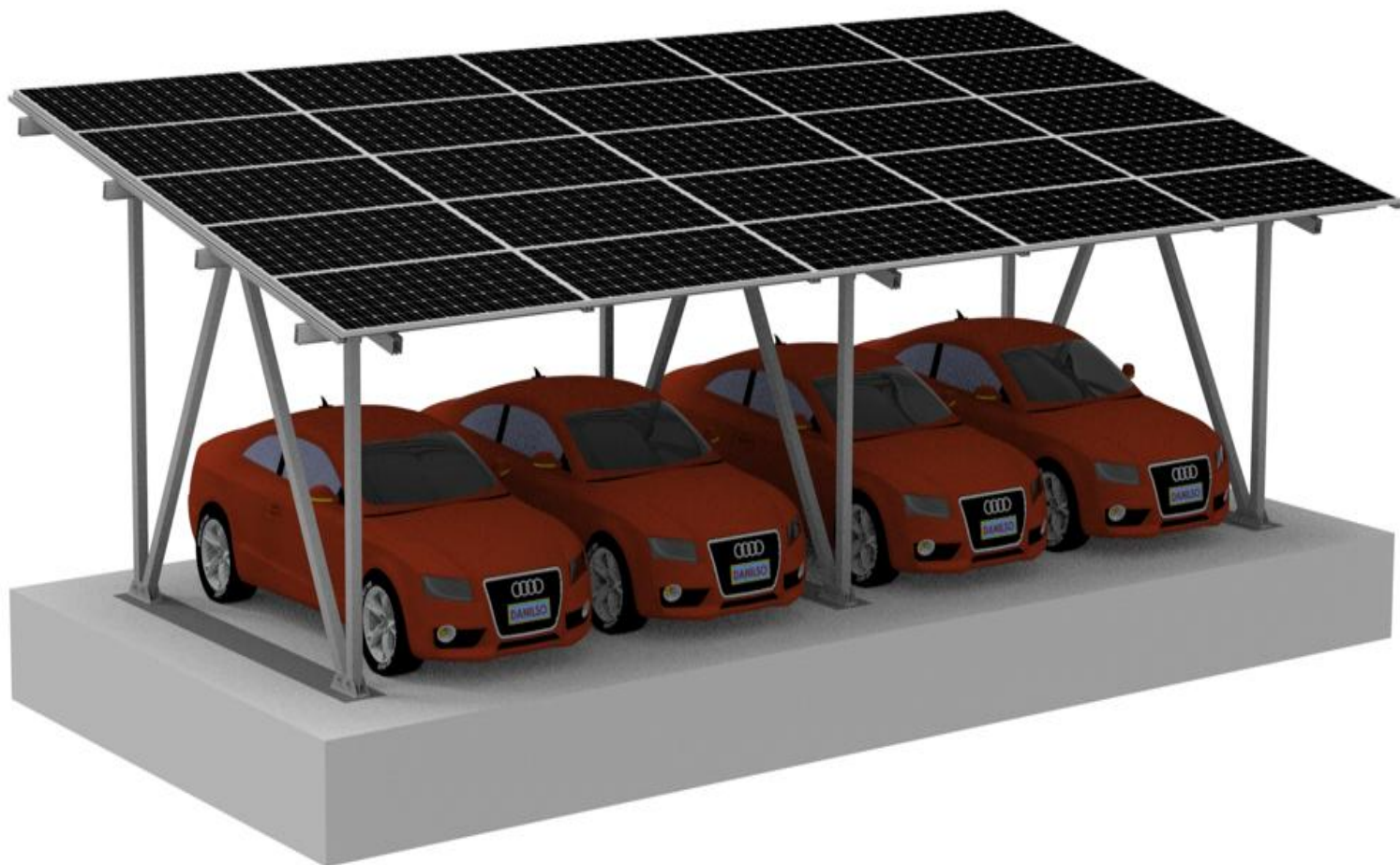
· Double Pile Support for big wind area or 3 panels portrait and 5/6 panels landscape installation



## Technical Data

|                    |   |
|--------------------|---|
| Product name       | AW-2P Mount System                      |
| Application        | Ground and flat concrete concrete roof  |
| Inclination        | Fixed 10/15/20/25/30 deg or customized  |
| Material           | Q235B                                   |
| Finish             | Hot dip Galvanaized Steel, average 75um |
| PV module          | Framed or Unframed                      |
| Module size        | Small and Big modules                   |
| Module orientation | Portrait and landscape                  |
| Module direction   | South , North                           |
| Foundation         | Pile                                    |

# AWC Water-proof Carport



## Water-Proof Rail System Components



Cross Rail



Sink Rail



Sink Plate

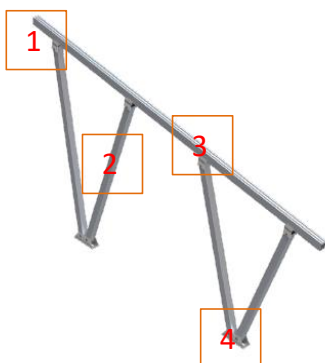


Module Clamp



Rail Fix Kit

## AWC Leg Components



1. Beam



2. Tube



3. Transfer Kit

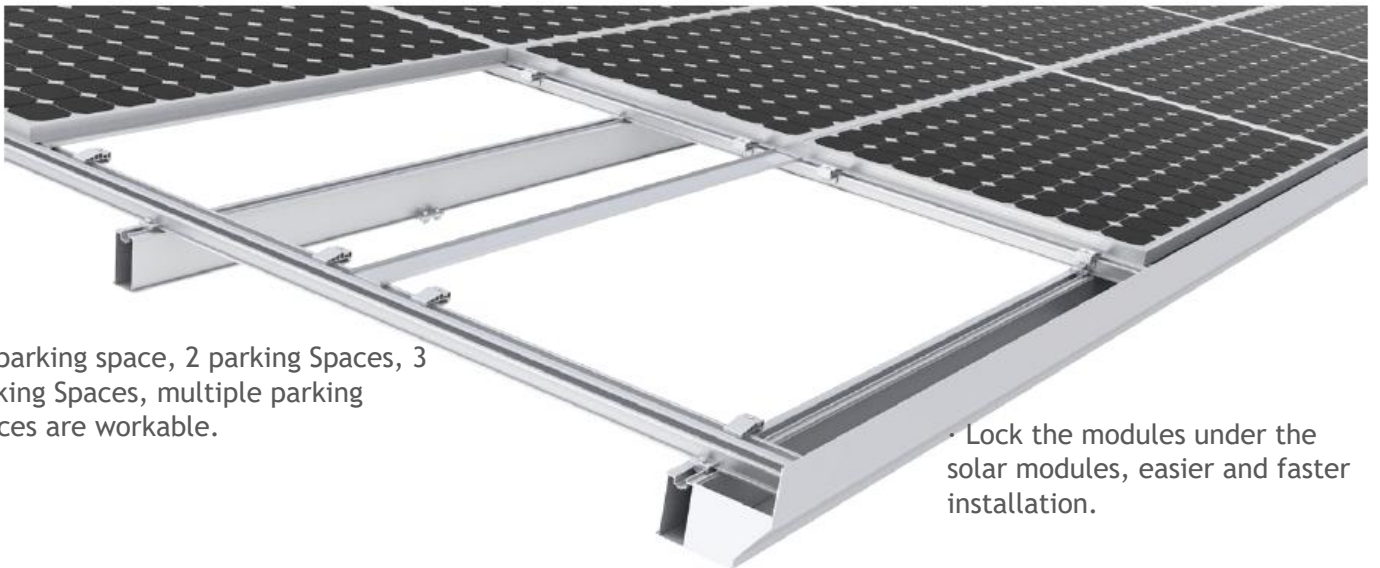


5. Base



## Unique Feature

· The water-proof rail system used, completely waterproof and rain protection.



· 1 parking space, 2 parking Spaces, 3 parking Spaces, multiple parking Spaces are workable.

· Lock the modules under the solar modules, easier and faster installation.

## Technical Data

|                    |  |
|--------------------|--|
| Product name       | AWC Mount System                       |
| Application        | Ground and flat concrete concrete roof |
| Inclination        | Fixed 10/15/20/25/30 deg or customized |
| Material           | Aluminum 6005 T5                       |
| Finish             | Anodized clear, average 12um           |
| PV module          | Framed                                 |
| Module size        | Small and Big modules                  |
| Module orientation | Landscape                              |
| Module direction   | South , North                          |
| Foundation         | Concrete                               |

# Easy To Mount PV System



## Wochn Green Energy Co.,Ltd

Add: Xicen Building 349, Qingpu District, Shanghai,China

Tel: 0086-21-39519802

Mob: 0086-15721481648

Email: [sales@wochnmount.com](mailto:sales@wochnmount.com)

Web: [www.wochnmount.com](http://www.wochnmount.com)

**WOCHN**  
EASY MOUNTING SYSTEMS