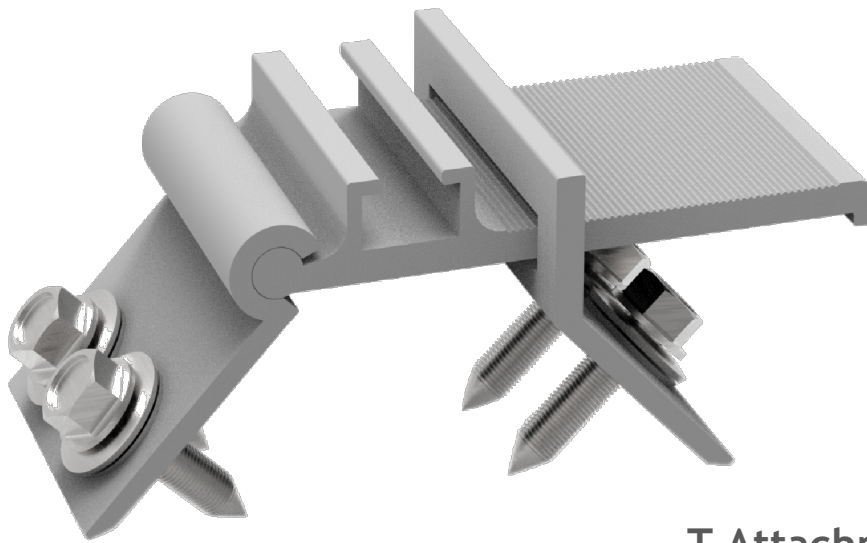
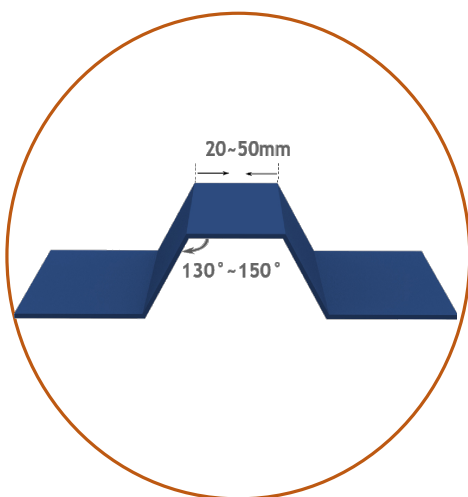


WOCHN Universal T Attachment solar mounting system is designed for any type of trapezoid metal sheet roof. It is easy to adjust top width to makes it versatile for any trapezoid metal sheet. Side-mounted the screw on trapezoid metal sheet to prevent stagnant water and ensure longer lifespan of rooftop. The pre-installed four self-drilling screws for fast installation.



T Attachment

Item:WQ-AC-24



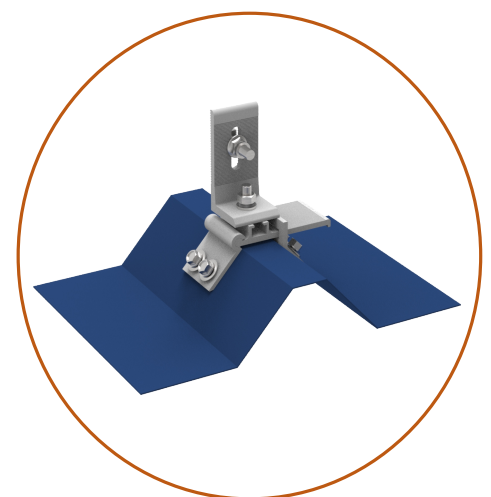
Universal

- Suitable for solar installation on all types trapezoid metal sheet roof



Flexibility

- Easy to adjust the width base on trapezoid metal sheet top width

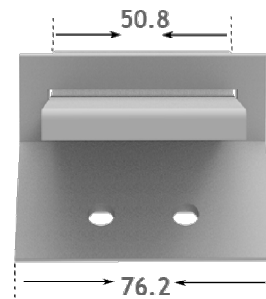
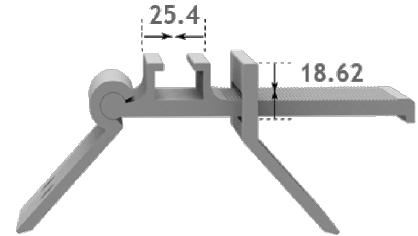


Easy Installation

- Could be used to connect with L feet system or install solar modules directly

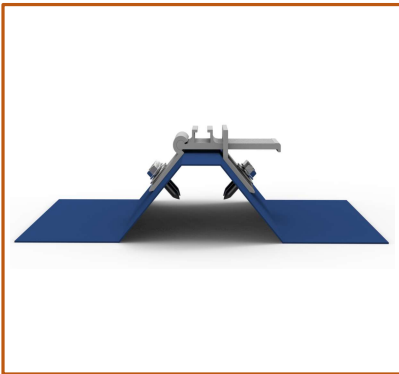
Technical Data

Product name	T Attachment
Application	Trapezoidal metal Sheet
Inclination	Any roof inclination
Material	Aluminium 6005-T5
Color	Nature or Black
PV module	Framed or Unframed
Module size	Small and Big modules
Module direction	Portrait and Landscape
Design wind loading	Up to 60m/s
Design snow loading	Up to 1 metre
Roof height	Up to 20 metre
Design Standard	EN1991, AS1170,UL1703



Unit: mm

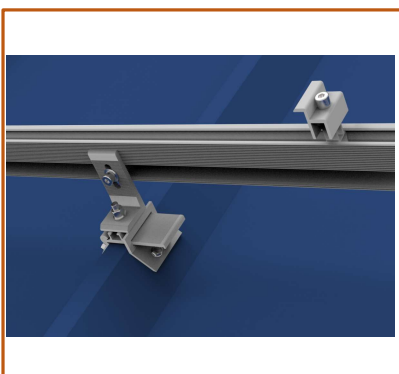
Quick Installation Guide



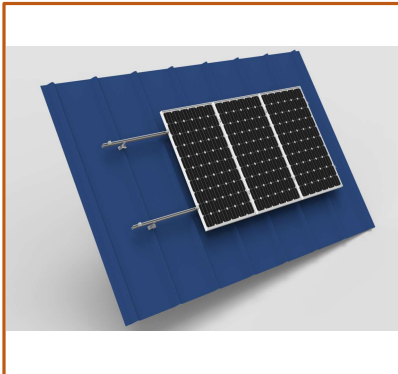
Step 1:
After confirming the position, put T attachment on metal sheet and fasten by four screw.



Step 2:
Connect L feet on T attachment.



Step 3:
Connect L feet in rail system with the nut kits.



Step 4:
Fix solar modules with universal mid clamps and end clamps.