

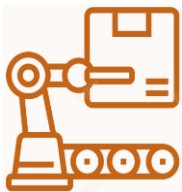
Pitch Roof Solar Mounting System

2023 Version2

- Premium materials
- Precision without cutting
- Pre-assembled & height adjustable
- Full warranties & first-class service
- All improved & patented

Content

Rail system	1-3
L foot	4
Hanger bolt	5-6
T Attachment	7
Mini Rail	8-9
Standing seam clamps	10-18
Adjustable Tilt Mount	19
Tile Roof Attachments	20-27
Asphalt Shingles Attachment	28
TPO/PVC Roof Attachment	29
Earthing Accessory	30
Solar Cable Clip	31
Solar Connector	32
Solar Cable	33



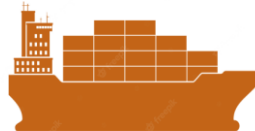
2GW+ annual output



15 years Experienced Team



Installed in 100+ Countries



Direct racking supply,
6GW shipment By 2022



OEM manufacturing and
designing ability depend on
AS1170, JISC, UL, SGS, TUV
standard



10000+ completed solar
plant

About us

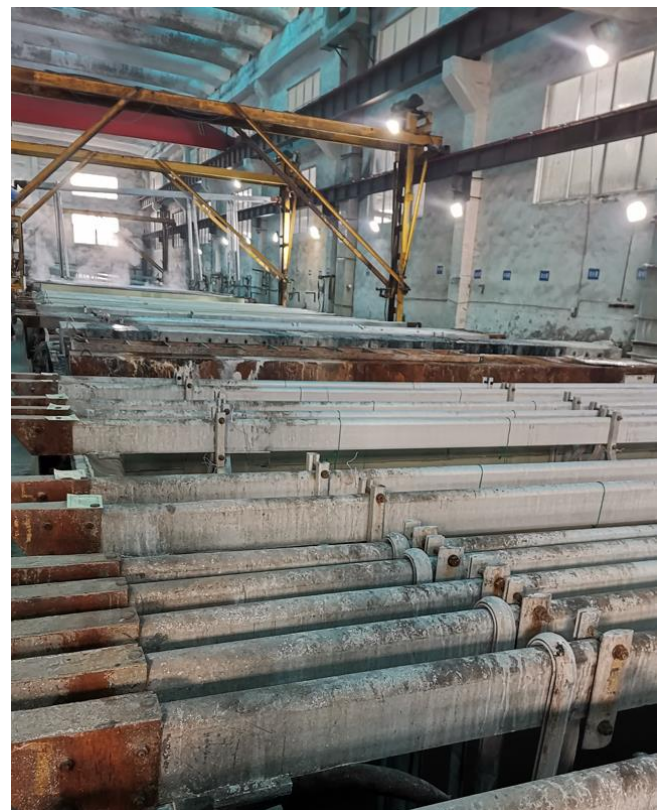
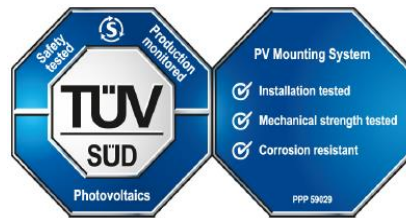
WOCHN Green Energy Co.,Ltd

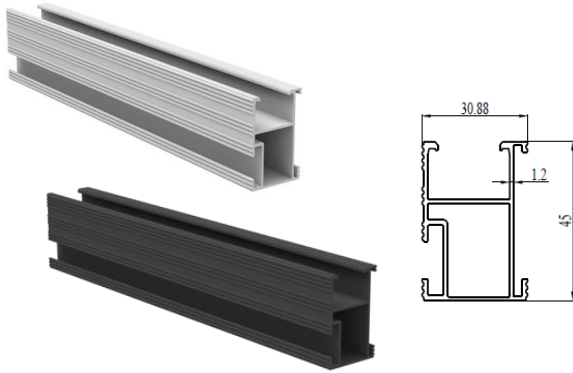
WOCHN Energy is a high-tech company which specializes in designing, manufacturing, selling solar mounting system. Headquartered in Shanghai, WOCHN has invested two factories in Jiangsu & Zhejiang. WOCHN built partnerships with distributors overseas and keep expanding its sale network in worldwide.

WOCHN's products and services have become synonymous with quality and innovation, delivering a wide range of solutions to the industry, its professional and friendly service is globally renowned by customers.

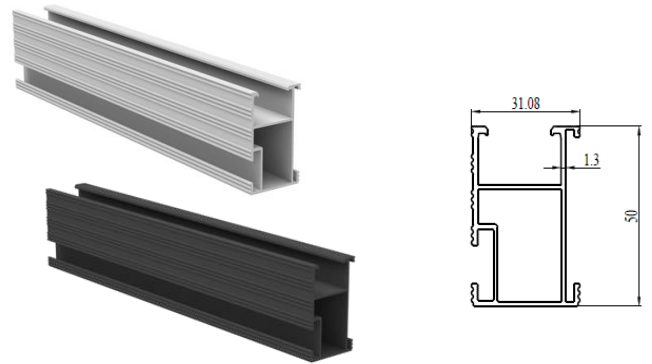
WOCHN offering innovative design and integrative settlement solution to our customers based on years of experiences on design, production and sale. We achieved good trust from customers because of our stable and excellent products. We will try our best to become a world leading level of solar photovoltaic systems integration solutions supplier.

WOCHN is committed to locally delivering a wide range of products and services: local distributor investigating at site, delivering goods soonest, offering the best after-sales service. Our customers count on us before, during and after the installation. You can rest assured that when you partner with WOCHN you've made the right decision.

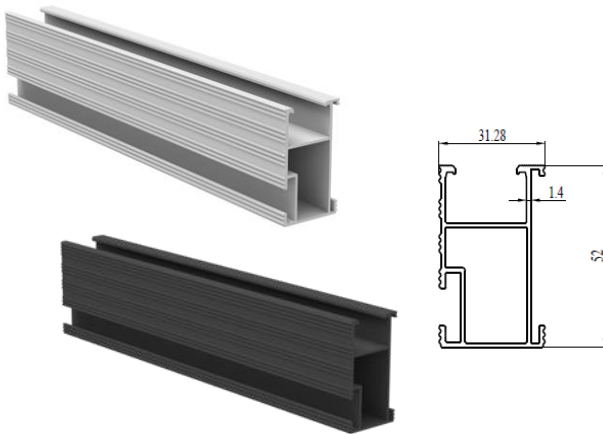




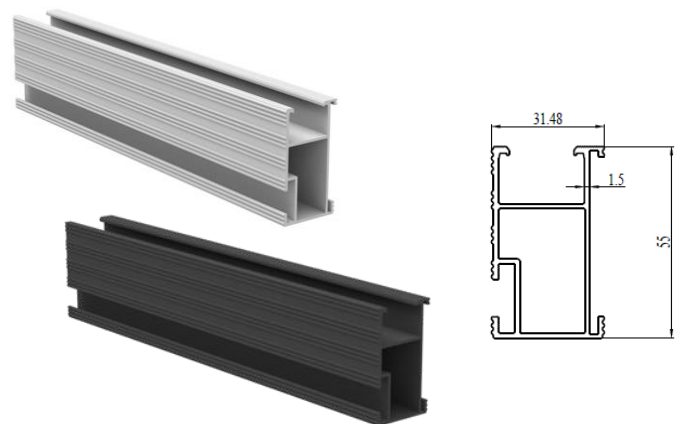
Code: WQ-TR45-S / B
 Silver / Black T45 rail rail
 4200mm,4600mm or customized length



Code: WQ-TR50-S / B
 Silver / Black T50 rail rail
 4200mm,4600mm or customized length



Code: WQ-TR52-S / B
 Silver / Black T52 rail rail
 4200mm,4600mm or customized length



Code: WQ-TR55-S / B
 Silver / Black T55 rail rail
 4200mm,4600mm or customized length



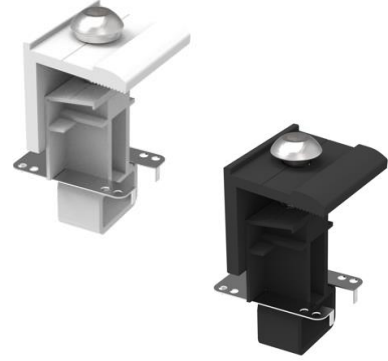
Code:
WQ-TR45-RSK-S Silver TR45 Rail splice kit
WQ-TR50-RSK-S Silver TR50 Rail splice kit
WQ-TR52-RSK-S Silver TR52 Rail splice kit
WQ-TR55-RSK-S Silver TR55 Rail splice kit



Code:
WQ-TR45-RSK-B Black TR45 Rail splice kit
WQ-TR50-RSK-B Black TR50 Rail splice kit
WQ-TR52-RSK-B Black TR52 Rail splice kit
WQ-TR55-RSK-B Black TR55 Rail splice kit



Code: WQ-TRM-3035-S / B
Silver / Black TR Mid Clamp
Grounding clip integrated
Universal for 30mm-35mm framed module



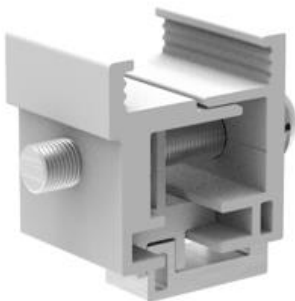
Code: WQ-TRE-3035-S / B
Silver / Black TR End Clamp
Grounding clip included
Universal for 30mm-35mm framed module



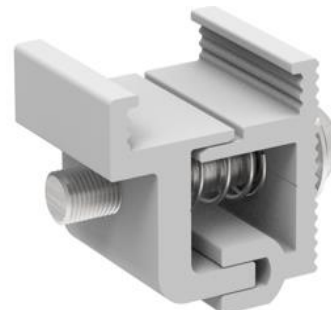
Code: WQ-TR-GL
TR Grounding Lug, J55 nut



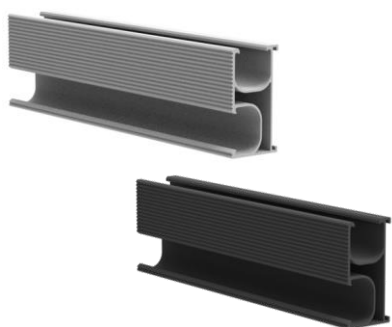
Code: WQ-TB20-0825
20 Head T Bolt M8*25



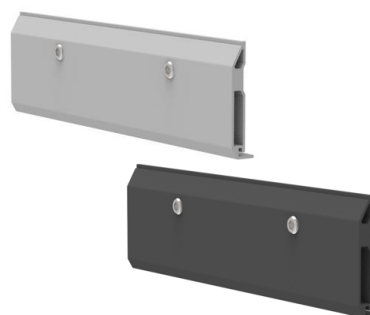
Code: WQ-T/CR-RA
360 deg Rotate Rail Fix Adapter
Connect rail with horizontal surface attachment



Code: WQ-T/CR-SA
Side Rail Fix Adapter
Connect rail with vertical surface attachment



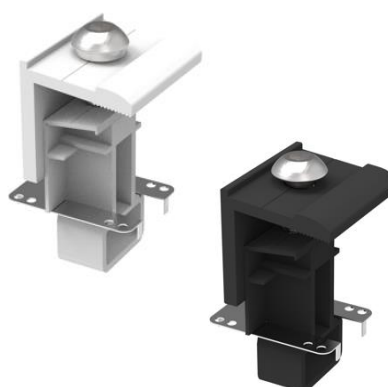
Code: WQ-5L- S / B
Silver / Black 5L rail
4200mm,4600mm or customized length



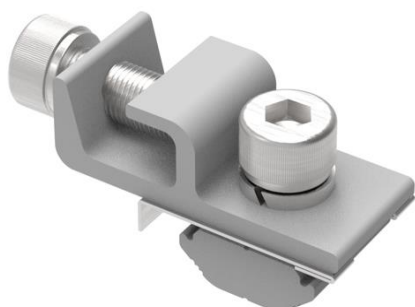
Code: WQ-5R-RSK- S / B
Silver /Black Rail splice kit for 5L Rail ,
150mm length



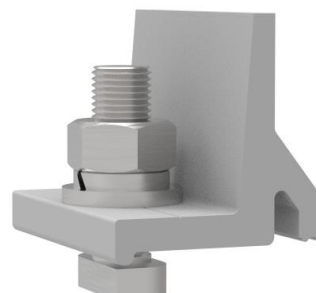
Code: WQ-EIC-3040- S / B
Silver / Black 5L Mid clamp,
Universal for 30mm-40mm framed module



Code: WQ-5LC-3040- S / B
Silver / Black rail 5L end clamp
Universal for 30mm-40mm framed module



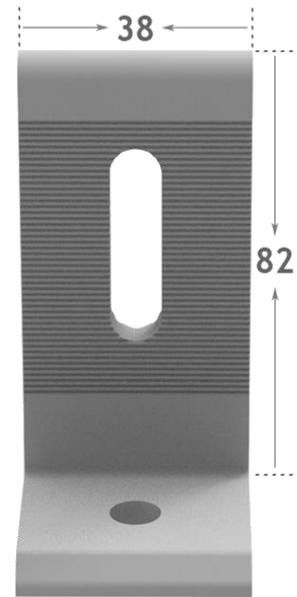
Code: WQ-GL-R2
Grounding lug for connecting approach rail and
make electrical through complete solar system



Code: WQ-RFK-5S
Rail fixing kits for 5L rail mount system



Specification

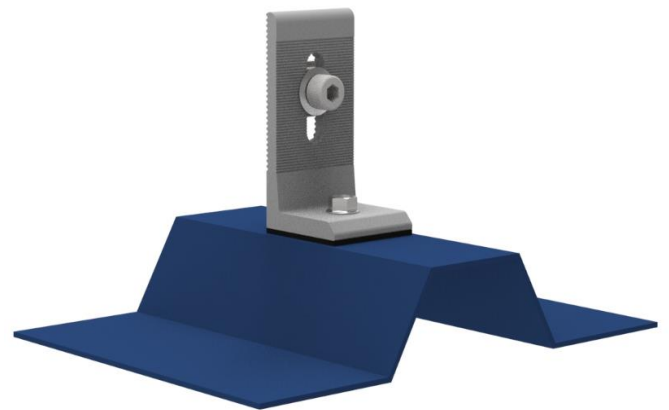


Unit: mm

Code: WQ-AH-01

L foot comes with 2 applications:

- 1: for trapezoidal sheet metal, corrugated sheet metal with a wooden screw or self-drilling screw.
- 2: Connection with standing seam clamps for standing seam roof with a flange screw M8 x 20mm

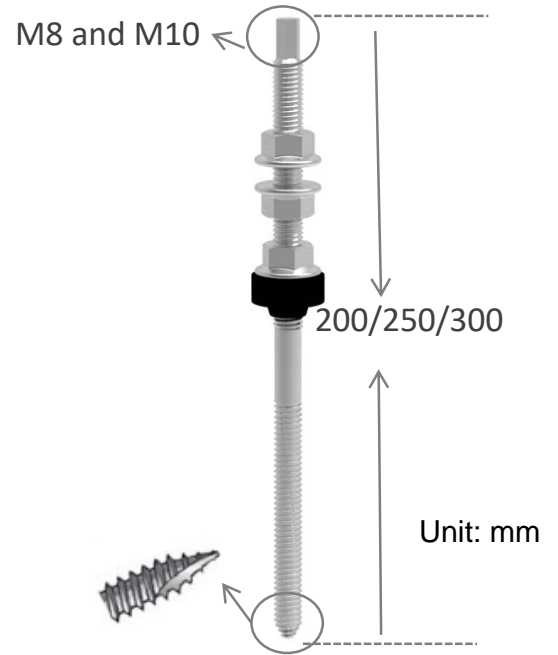


Component list

	Quantity	Specification	Material
L feet	1	40*85	Aluminium 6005-T5
Wooden or self-drilling screw	1	M6.3*80	SUS401
EPDM Pad	1	40*38	EPDM
Nut kits Or T Bolt	1	J53 nut kits or M8*25 T bolt	Alu 6005-T5 or SUS 304



Specification



Code:WQ-SHW-03A

WQ-SHW-03B

To suit:
For solar PV mounting on roofs with corrugated fibre cement, or sheet metal on timber substructures. Off set L feet or flat plate for different rail system, both M10 and M8 diameter for different thickness wooden substructures.

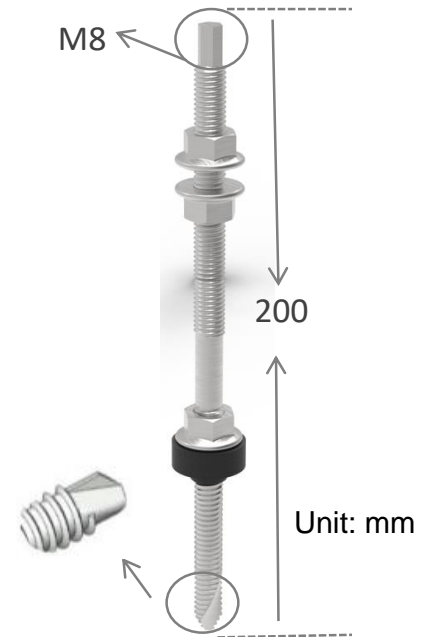


Component list

	Quantity	Specification	Material
Hanger bolt	1	M10*200/250/300, M8*200	SUS304
L feet (Option)	1	40*85	Aluminium 6005-T5
Flat plate (Option)	1	38*80	Aluminium 6005-T5
Flange Nut	3	M10 or M8	SUS 304
Nut kits Or T Bolt	1	J53 nut kits or M8*25 T bolt	Alu 6005-T5 or SUS 304
EPDM Pad	1	Circle M10 or M8	EPDM



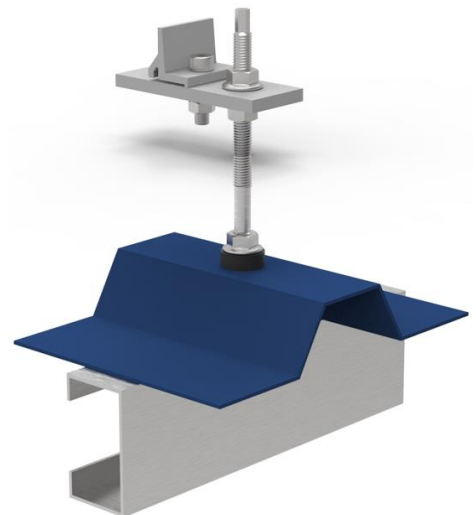
Specification



Code:WQ-SHS-03A

WQ-SHS-03B

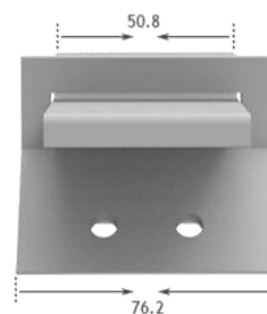
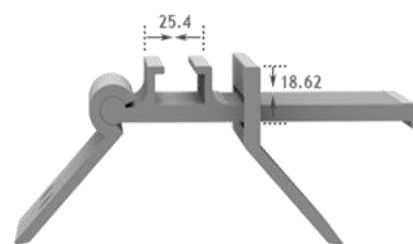
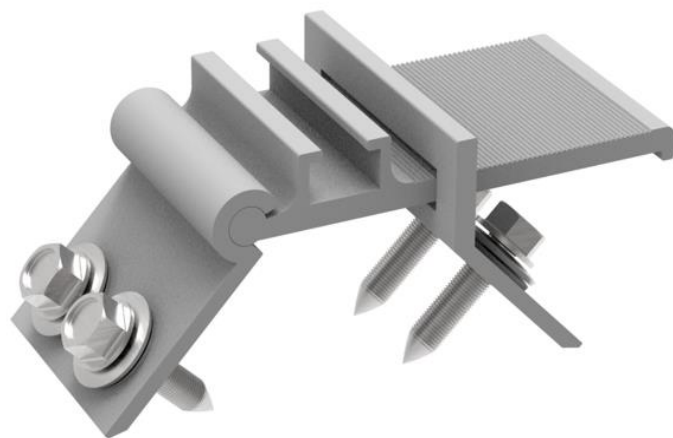
To suit:
For solar PV mounting on roofs with corrugated fibre cement, or sheet metal on timber substructures. Off set L feet or flat plate for different rail system, both M10 and M8 diameter for different thickness wooden substructures.



Component list

	Quantity	Specification	Material
Hanger bolt	1	M10*200/250/300, M8*200	SUS304
L feet (Option)	1	40*85	Aluminium 6005-T5
Flat plate (Option)	1	38*80	Aluminium 6005-T5
Flange Nut	3	M10 or M8	SUS 304
Nut kits Or T Bolt	1	J53 nut kits or M8*25 T bolt	Alu 6005-T5 or SUS 304
EPDM Pad	1	Circle M10 or M8	EPDM

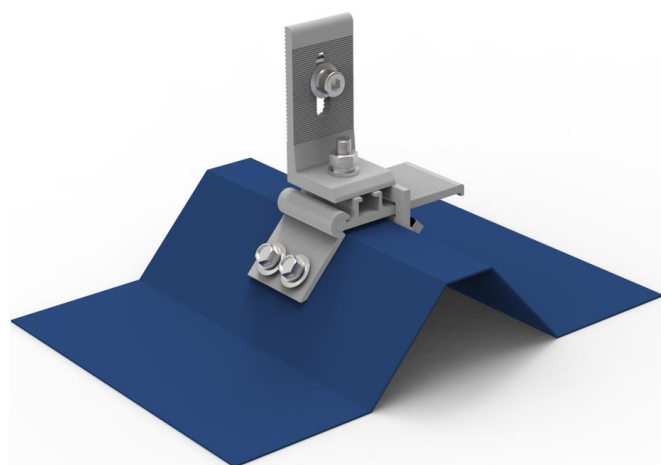
Specification



Unit: mm

Code: WQ-AC-10

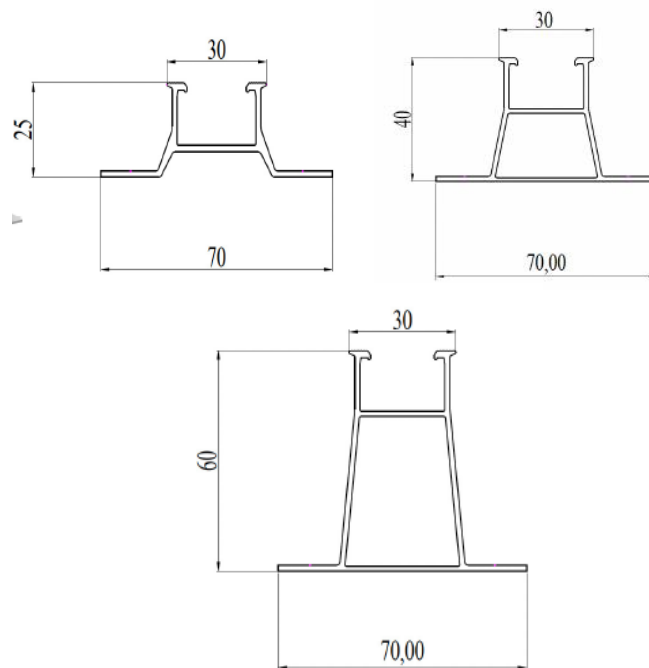
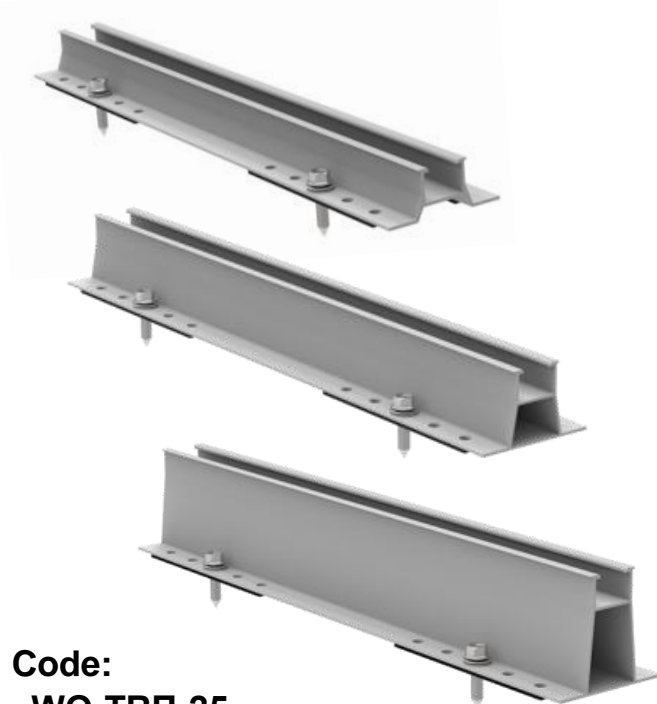
To suit:
Universal for any trapezoid metal sheet roofs.



Component list

	Quantity	Specification	Material
Clamp	1	/	Aluminium 6005-T5
Side screw	4	M6.3*25	SUS304

Specification

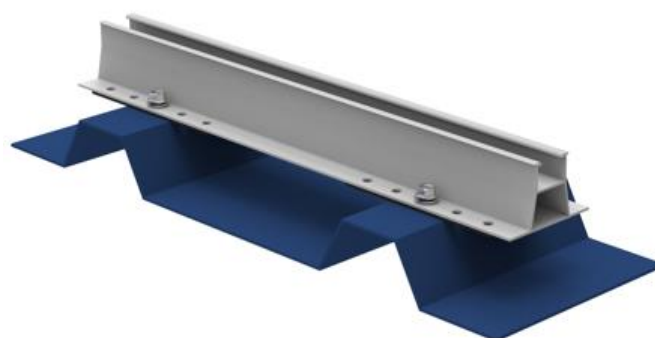


Unit: mm

Code:
WQ-TRΠ-25
WQ-TRΠ-40
WQ-TRΠ-60

To suit:
 New Zealand Metalcraft Roofing Metdek 400/500 Roofing profiles with similar trapezoid sheet metal, sandwich panels roofs, corrugated iron roofs in different size.

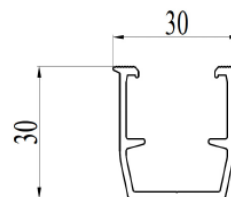
PS: Customized length and customized hole position available



Component list			
	Quantity	Specification	Material
π Mini Rail	1	L=400mm or Customized	Aluminium 6005-T5
Self drilling screw	4	M6.3*25mm	Dacromet SUS401
EPDM Pad	4	80*20*2 mm	EPDM



Specification



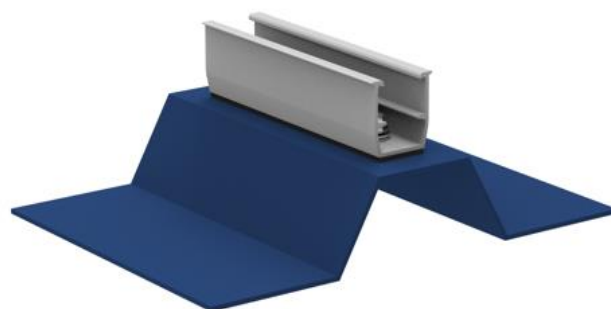
Code: WQ-TRU-30

Unit: mm

To suit:

Any types trapezoid sheet metal or corrugated sheet metal, sandwich panels roofs, corrugated iron roofs in different size

PS: Customized length and customized hole position available



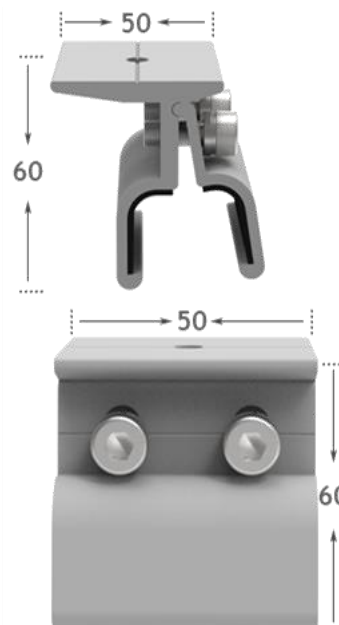
Component list

	Quantity	Specification	Material
U Mini Rail	1	L=150mm or customized	Aluminium 6005-T5
Self drilling screw	2	M6.3*25mm	Dacromet SUS401
EPDM Pad	2	150*26*2 mm	EPDM

Standing Seam Clamp

-Lysaght Klip-lok 700 Clamp

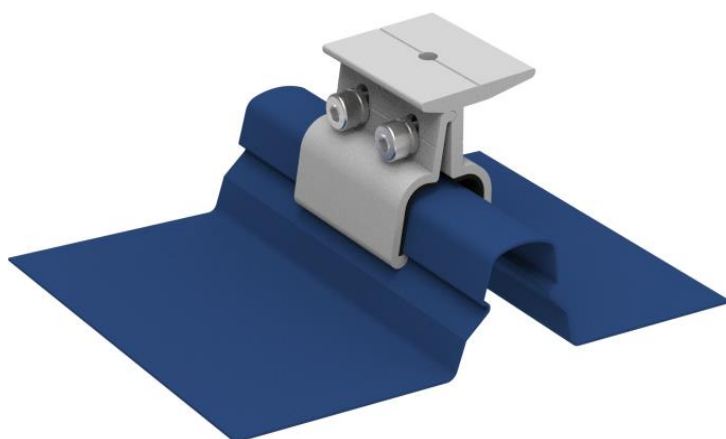
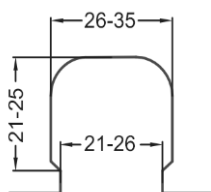
Specification



Unit: mm

Code: WQ-AC-02

To suit:
Lysaght Klip-lok 700, speed deck ultra and roofing profiles with similar dimension.



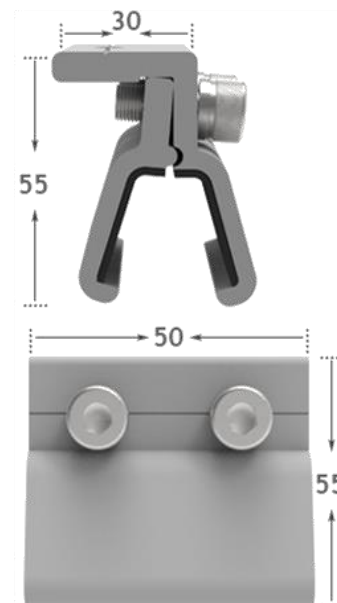
Component list

	Quantity	Specification	Material
Clamp	1	60*50	Aluminium 6005-T5
Side screw	2	M8*30	SUS304
EPDM pad	1	40*60	EPDM
Top screw	1	M8*25	SUS304

Standing Seam Clamp

-Lysaght Klip-lok 406 Clamp

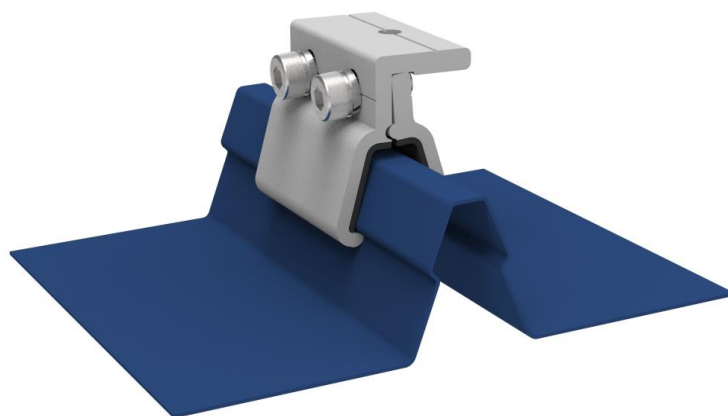
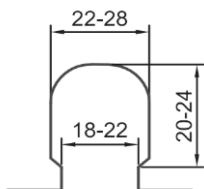
Specification



Unit: mm

Code: WQ-AC-03

To suit:
Lysaght Klip-lok406, Kingclip 406
Roofing profiles with similar dimension.



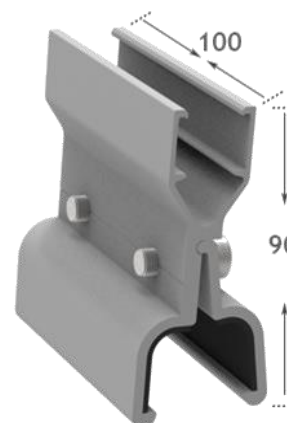
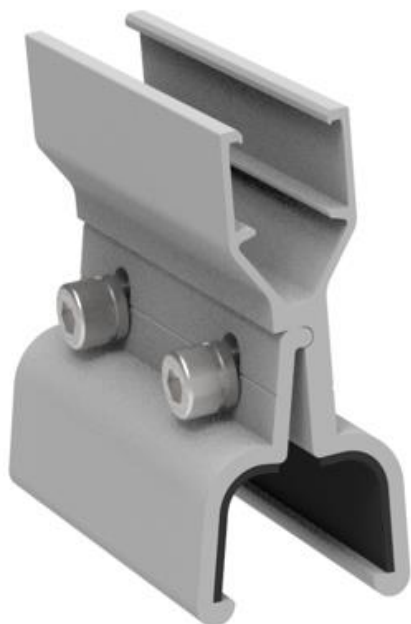
Component list

	Quantity	Specification	Material
Clamp	1		Aluminium 6005-T5
Side screw	2	M8*30	SUS304
EPDM pad	1	40*55	EPDM
Top screw	1	M8*25	SUS304

Standing Seam Clamp

-Rail-less Lysaght Klip-lok 700 Clamp

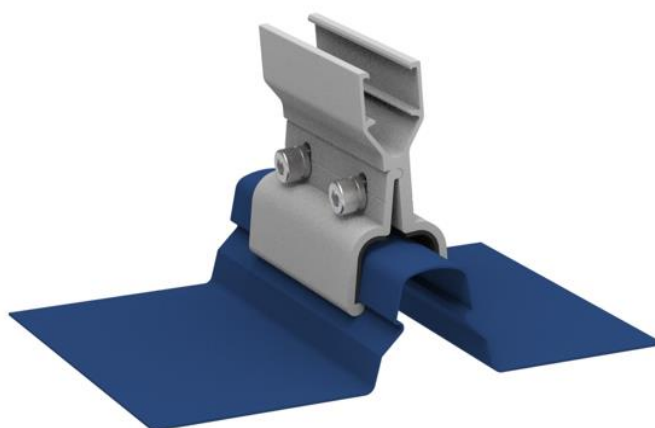
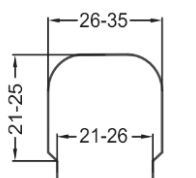
Specification



Unit: mm

Code: WQ-AC-02A

To suit:
Lysaght Klip-lok 700, speed deck ultra and roofing profiles with similar dimension.



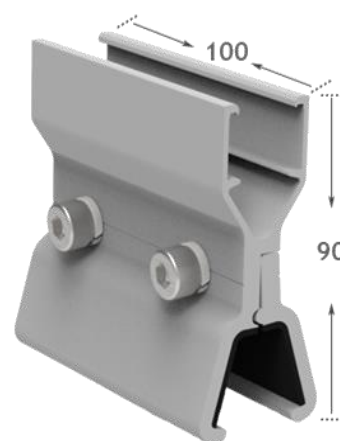
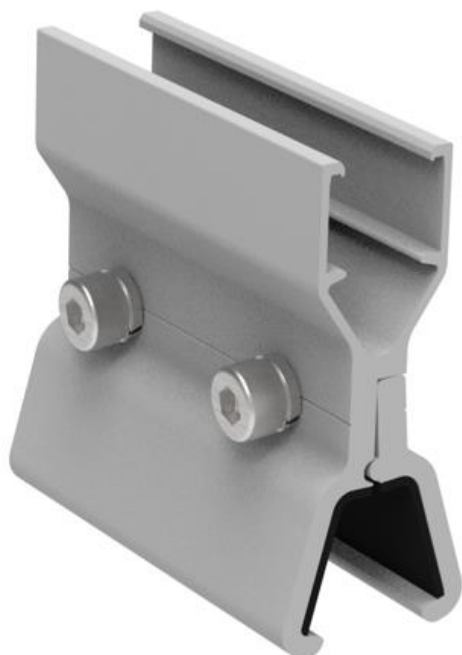
Component list

	Quantity	Specification	Material
Clamp	1	/	Aluminium 6005-T5
Side screw	2	M8*20	SUS304
EPDM pad	1	60*100	EPDM

Standing Seam Clamp

-Rail-less Lysaght Klip-lok 406 Clamp

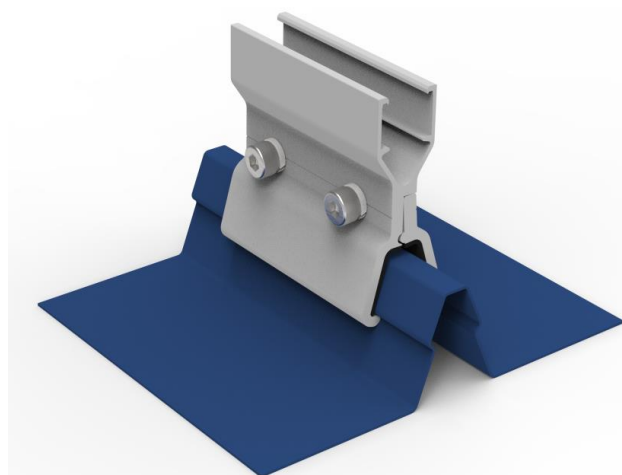
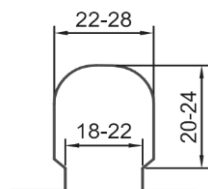
Specification



Unit: mm

Code: WQ-AC-03A

To suit:
Lysaght Klip-lok406, Kingclip 406
Roofing profiles with similar dimension.



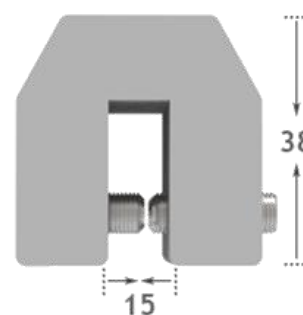
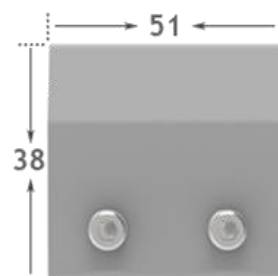
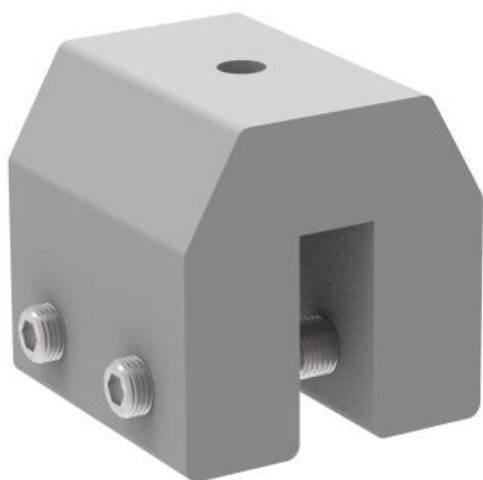
Component list

	Quantity	Specification	Material
Clamp	1	/	Aluminium 6005-T5
Top screw	2	M8*20	SUS304
EPDM pad	1	60*100	EPDM

Standing Seam Clamp

-Universal Clamp 17#

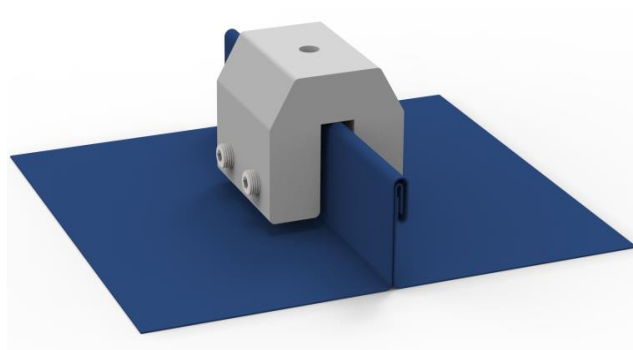
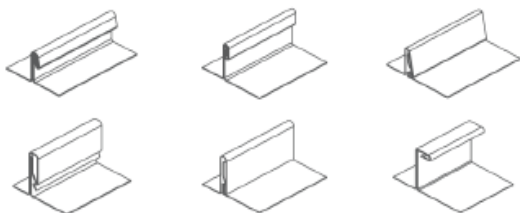
Specification



Unit: mm

Code: WQ-AC-17

To suit:
Most of the industrial single or double locked and Snap-together, the seam less than 14mm

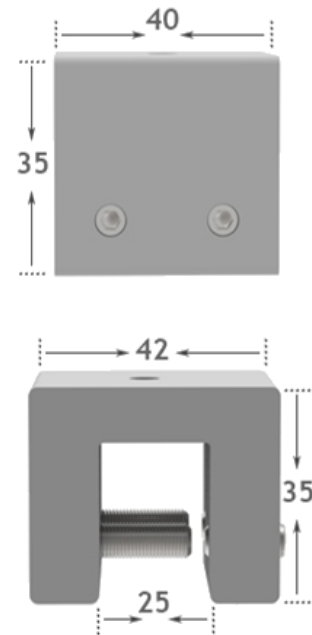
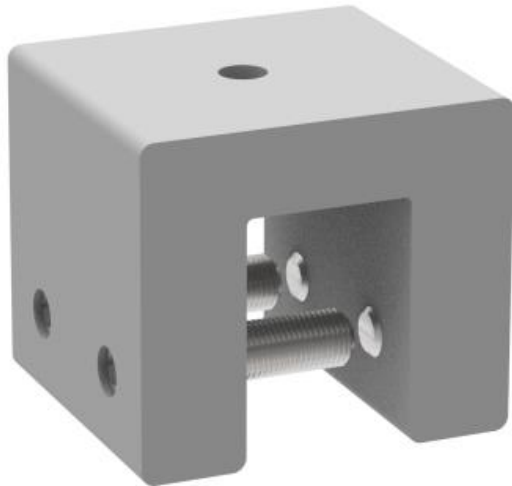


Component list

	Quantity	Specification	Material
Clamp	1		Aluminium 6005-T5
Top screw	1	M8*20	SUS304
Side screw	2	M8*25	SUS304

Standing Seam Clamp -Universal Clamp 28#

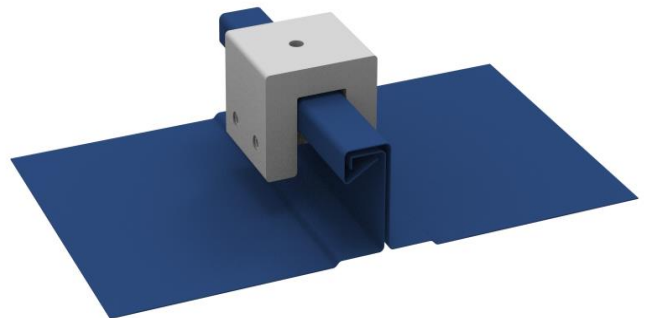
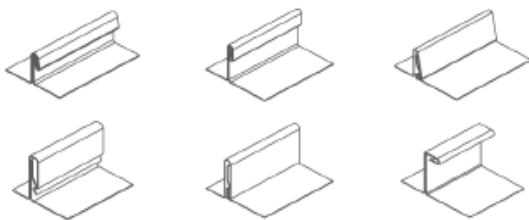
Specification



Unit: mm

Code: WQ-AC-28

To suit:
Most of the industrial single or double locked and Snap-together, the seam width between 14-25mm.

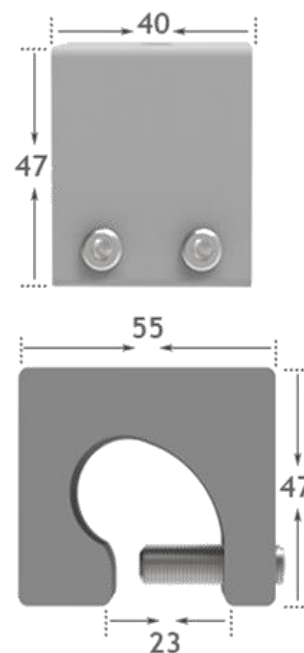
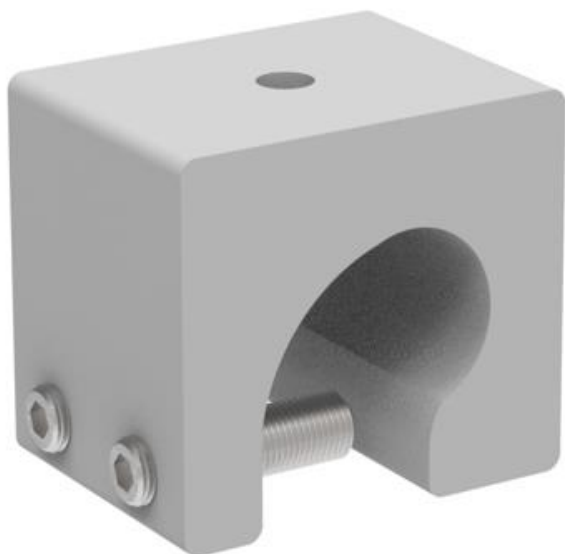


Component list			
	Quantity	Specification	Material
Clamp	1	40*35 mm	Aluminium 6005-T5
Top screw	1	M8*20 mm	SUS304
Side screw	2	M8*25 mm	SUS304

Standing Seam Clamp

-Universal Rould Bulb Clamp

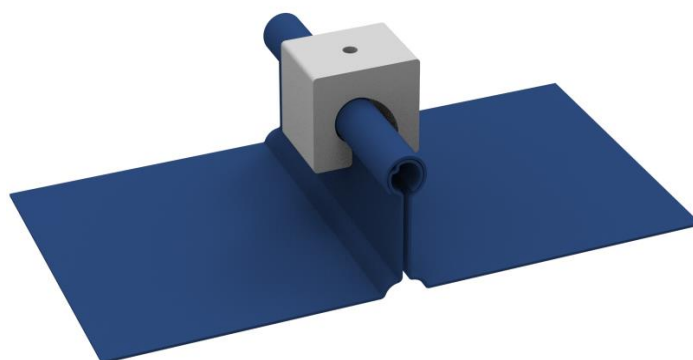
Specification



Unit: mm

Code: WQ-AC-21

To suit:
The rould bulb seam sheet metal that the rould seam width less than 22mm.



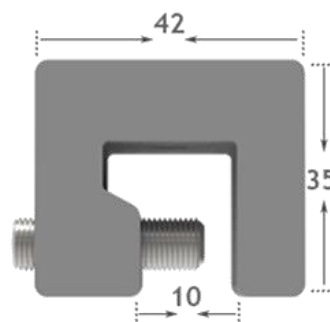
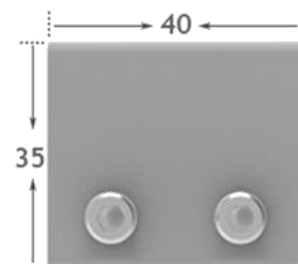
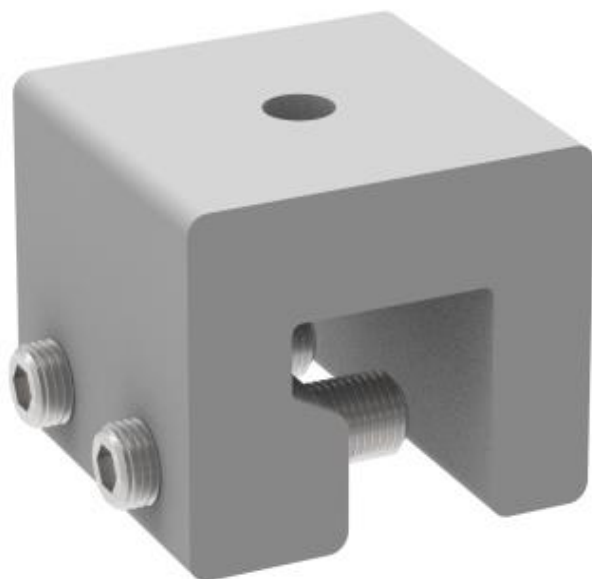
Component list

	Quantity	Specification	Material
Clamp	1	49*40 mm	Aluminium 6005-T5
Side screw	2	M10*30mm	SUS304
Top screw	1	M8*20 mm	SUS304

Standing Seam Clamp

-Single Folded Seam in 90 deg Clamp

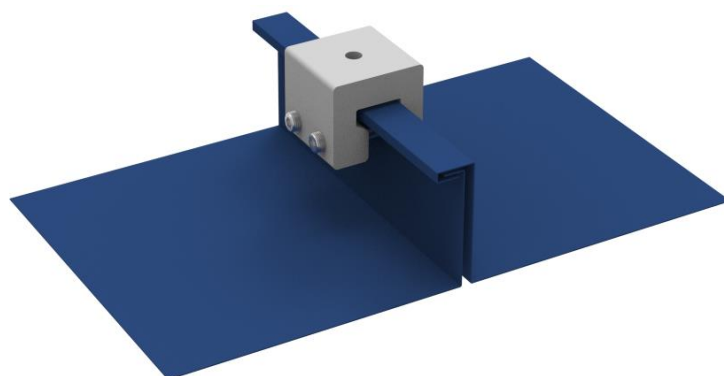
Specification



Unit: mm

Code: WQ-AC-23

To suit:
The single folded seam sheet metal in 90 deg

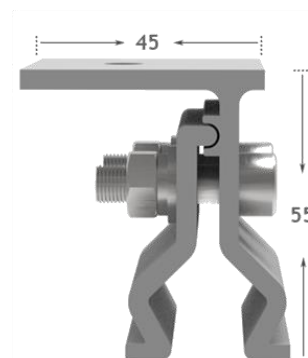
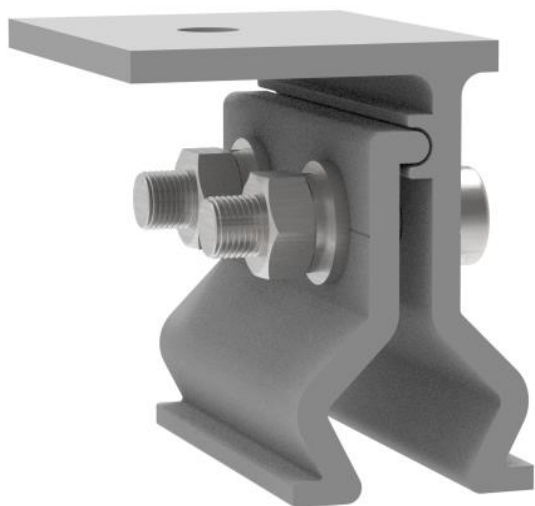


Component list

	Quantity	Specification	Material
Clamp	1	40*35 mm	Aluminium 6005-T5
Side screw	2	M10*30mm	SUS304
Top screw	1	M8*20 mm	SUS304

Standing Seam Clamp -For East-South Asia

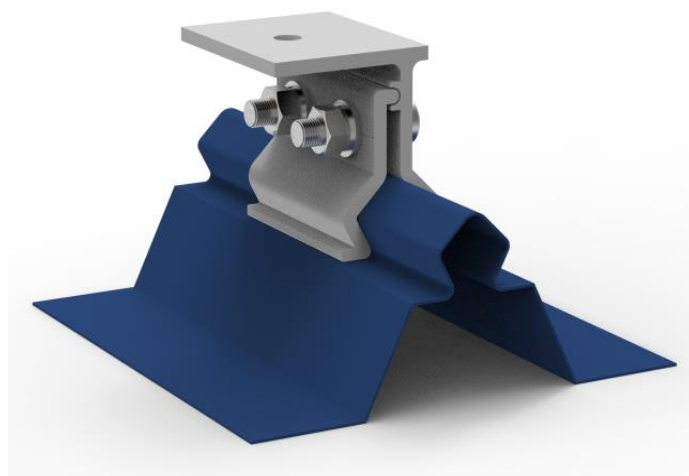
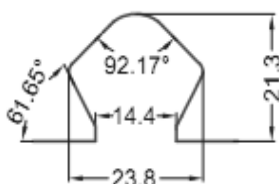
Specification



Unit: mm

Code: WQ-AC-05

To suit:
V-650 roofing profile or with similar dimension.



Component list

	Quantity	Specification	Material
Clamp	1	/	Aluminium 6005-T5
Top screw	1	M8*20	SUS304
Side screw	2	M8*25	SUS304

Adjustable Tilt Mount

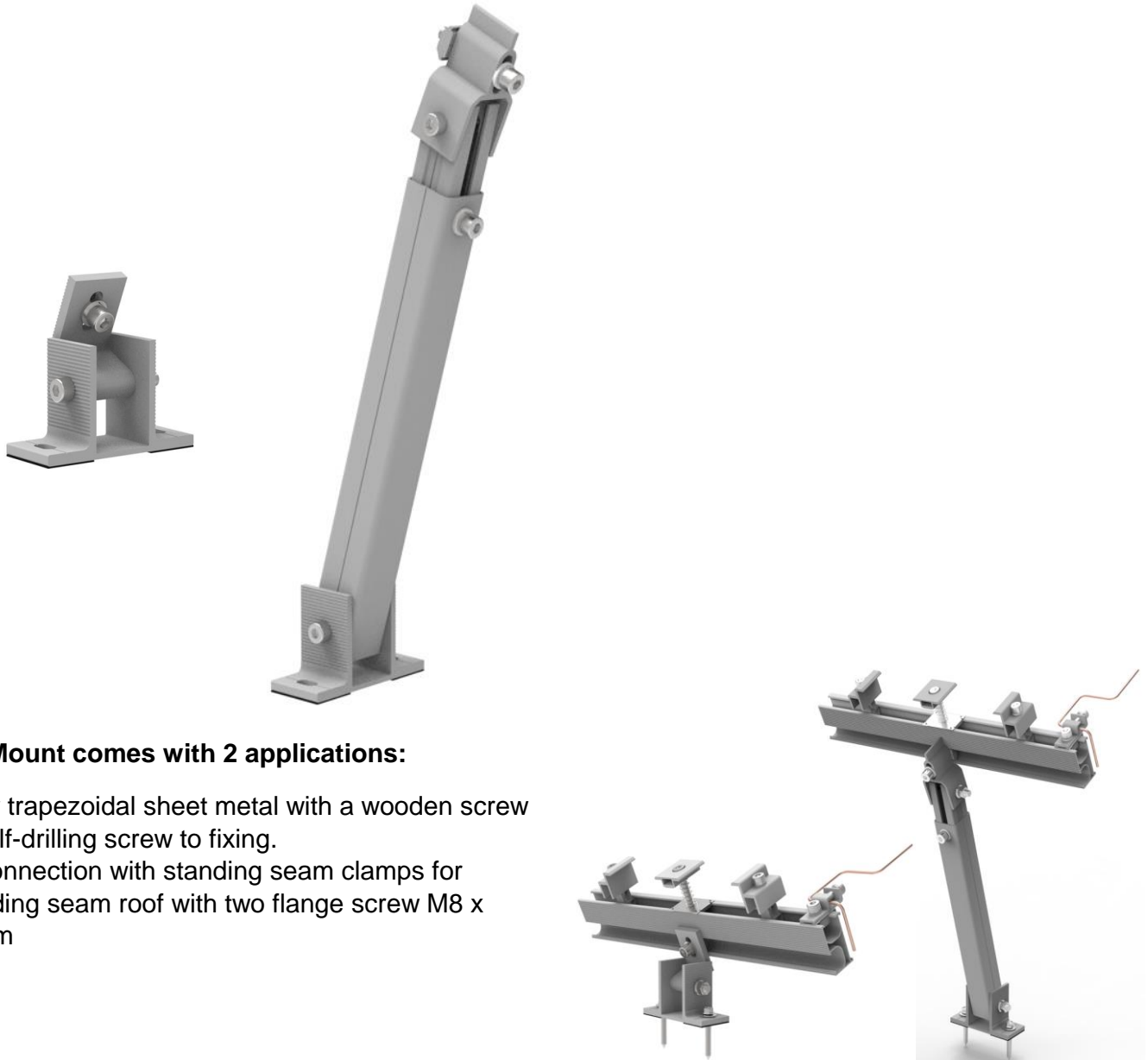
Install Site: Flat Metal Roof, Flat Concrete Roof.

Material: AL6005-T5、SUS304.

Applied Standards: AS/NZ1170.2、UL2703 etc.

Tilt Angle: 10° ~15° , 15~30° , 30° ~60° , or custom titl angle upon request.

Building Height: Up to 20m.



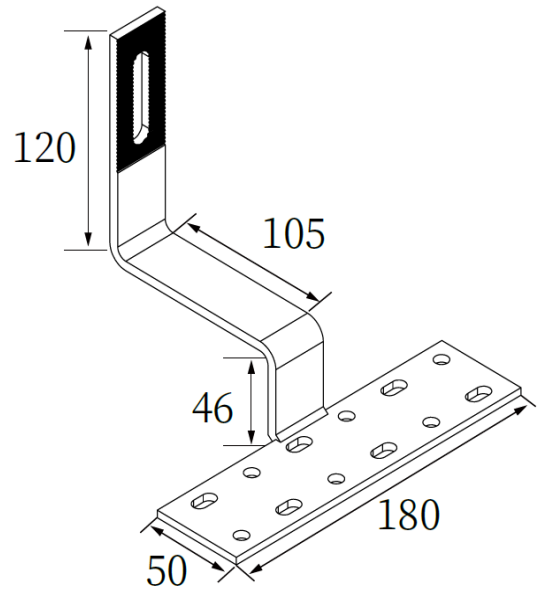
Tilt Mount comes with 2 applications:

1: for trapezoidal sheet metal with a wooden screw or self-drilling screw to fixing.

2: Connection with standing seam clamps for standing seam roof with two flange screw M8 x 20mm

WQ-AD2-F	WQ-AD2-RL200	WQ-AD2-RL340	WQ-AD2-RL500
Front feet	10-15 degree adjustable back leg	15-30 degree adjustable back leg	30-60 degree adjustable back leg
	Internal tube L=200mm Exterior leg L=200mm	Internal tube L=340mm Exterior leg L=340mm	Internal tube L=500mm Exterior leg L=500mm

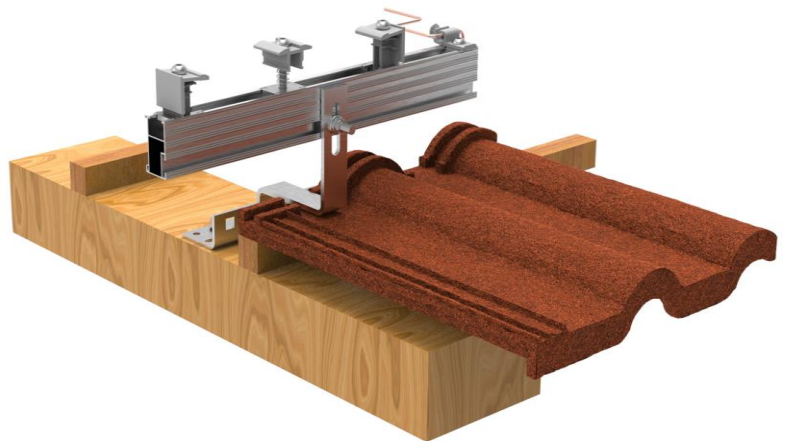
Specification



Code: WQ-SH-01

Unit: mm

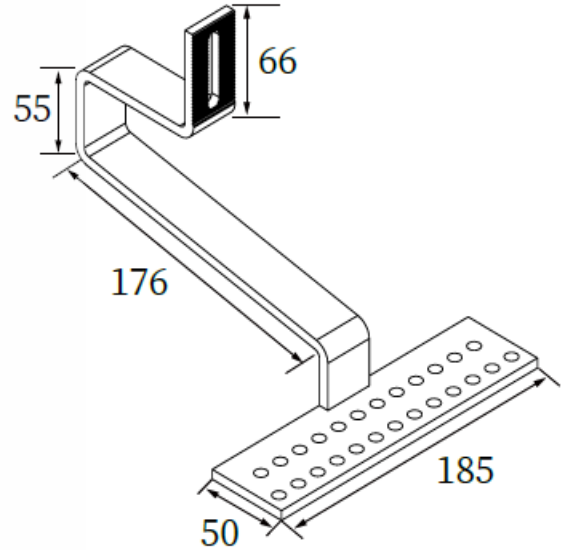
To suit:
 Pantiles roof, Slate roof, Plain tiles roof, Flat
 tile roof, Spanish tile roof
 Portrait installation.



Component list

	Quantity	Specification	Material
SH 1# Hook	1	180*46*105*120 mm	SUS304
Nut kits Or T Bolt	1	J53 nut kits or M8*25 T bolt	Alu 6005-T5 or SUS 304
Wooden screw	3	M6.3*80	Dacromet SUS401

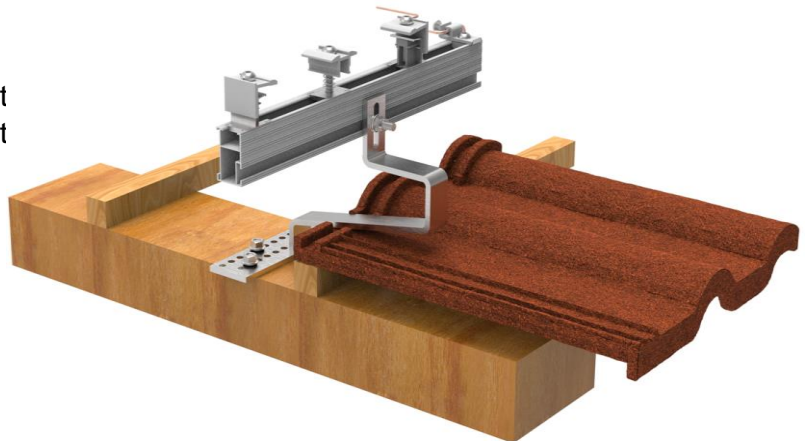
Specification



Code: WQ-SH-66

Unit: mm

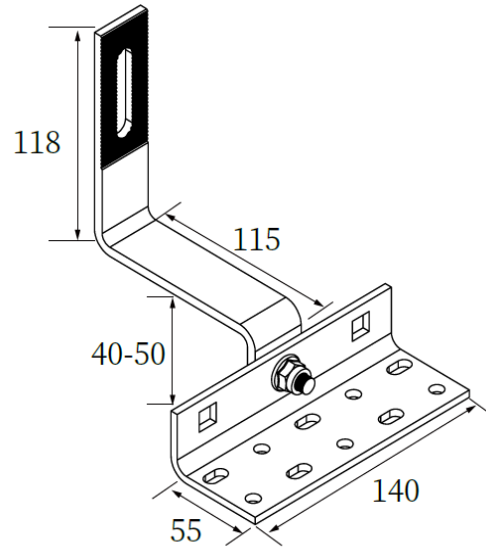
To suit:
 Pantiles roof, Slate roof, Plain tiles roof, Flat
 tile roof, Spanish tile roof. Portrait
 and Landscape installation.



Component list

	Quantity	Specification	Material
SH 66# Hook	1	185*50*176*55*66 mm	SUS304
Nut kits Or T Bolt	1	J53 nut kits or M8*25 T bolt	Alu 6005-T5 or SUS 304
Wooden screw	3	M6.3*80	Dacromet SUS401
L Kits with screw	1	60*70	SUS304

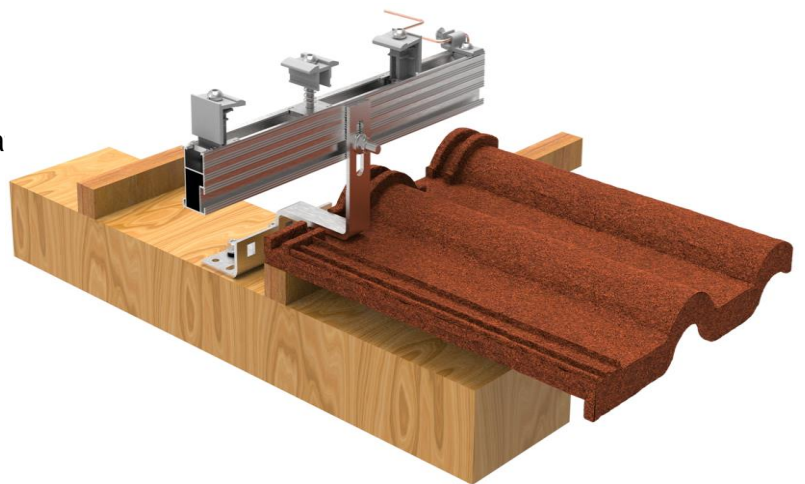
Specification



Code: WQ-SH-19

Unit: mm

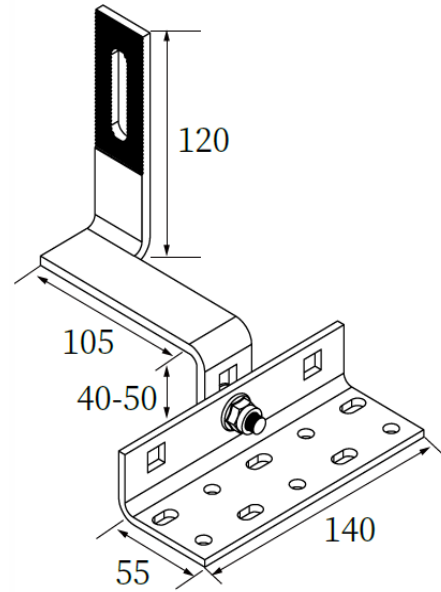
To suit:
 Pantiles roof, Slate roof, Plain tiles roof, Fla
 tile roof, Spanish tile roof.
 Portrait installation.



Component list

	Quantity	Specification	Material
SH 19# Hook	1	140*55*115*118 mm	SUS304
Nut kits Or T Bolt	1	J53 nut kits or M8*25 T bolt	Alu 6005-T5 or SUS 304
Wooden screw	3	M6.3*80	Dacromet SUS401

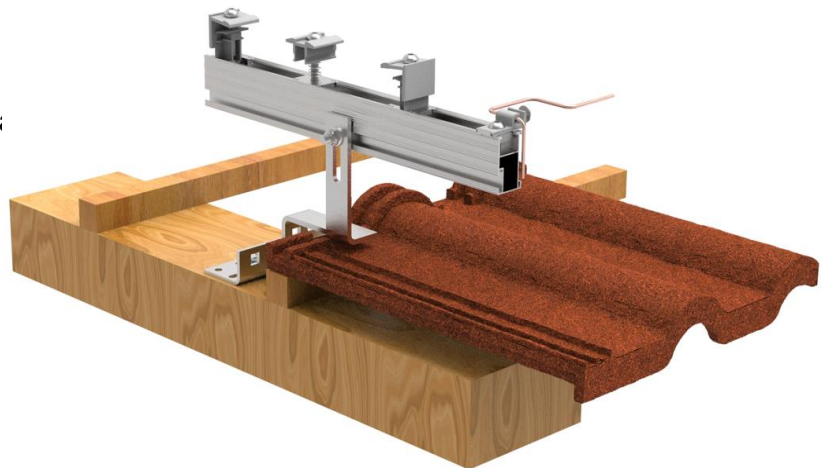
Specification



Code: WQ-SH-20

Unit: mm

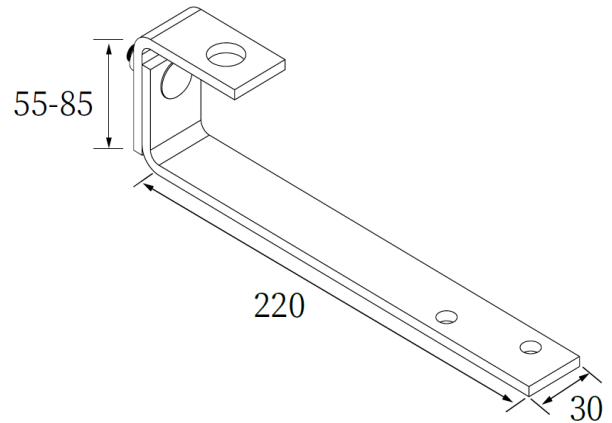
To suit:
 Pantiles roof, Slate roof, Plain tiles roof, Fl
 tile roof, Spanish tile roof
 Landscape installation.



Component list

	Quantity	Specification	Material
SH20# Hook	1	140*55*105*120 mm	SUS304
Nut kits Or T Bolt	1	J53 nut kits or M8*25 T bolt	Alu 6005-T5 or SUS 304
Wooden screw	3	M6.3*80	Dacromet SUS401
L Kits with screw	1	60*70	SUS304

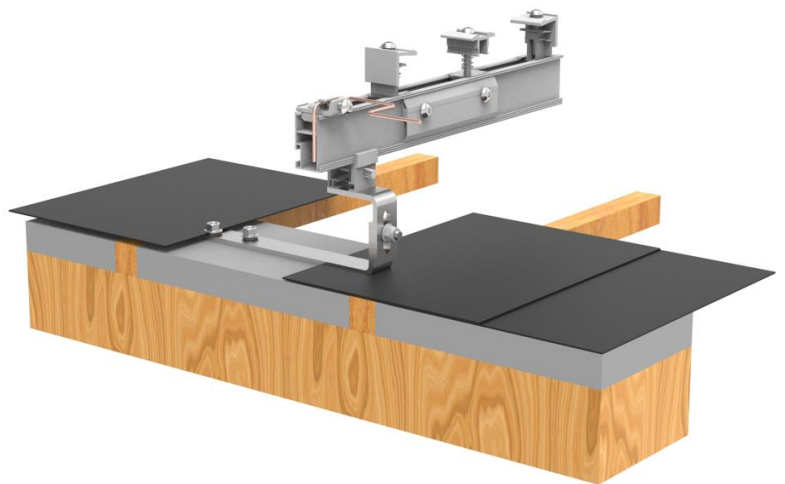
Specification



Code: WQ-SH-08

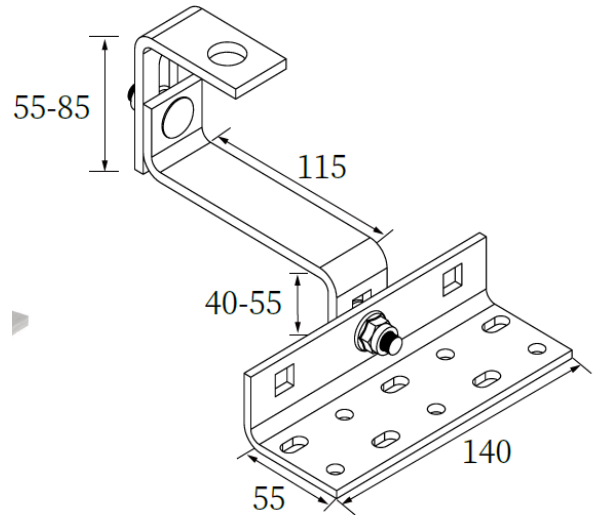
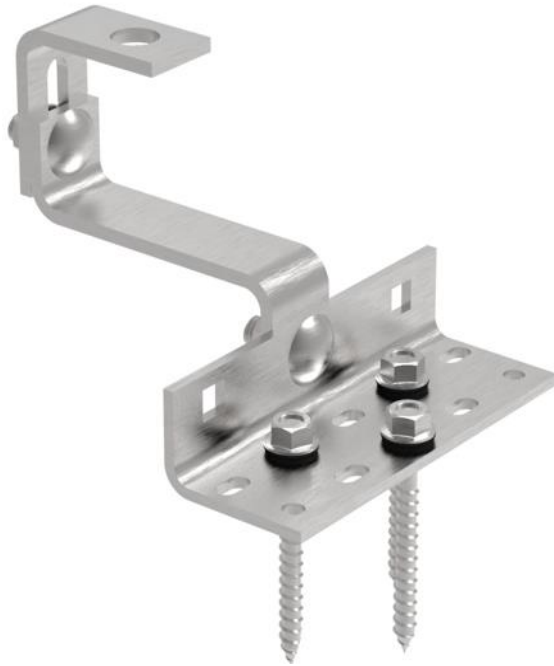
To suit:
Flat tile roof, asphalt shingles roof,
both portrait and landscape installation.

Unit: mm



Component list			
	Quantity	Specification	Material
SH 02# Hook	1	220*30*55 mm	SUS304
Nut kits Or T Bolt	1	J53 nut kits or M8*25 T bolt	Alu 6005-T5 or SUS 304
Wooden screw	3	M6.3*80	Dacromet SUS401

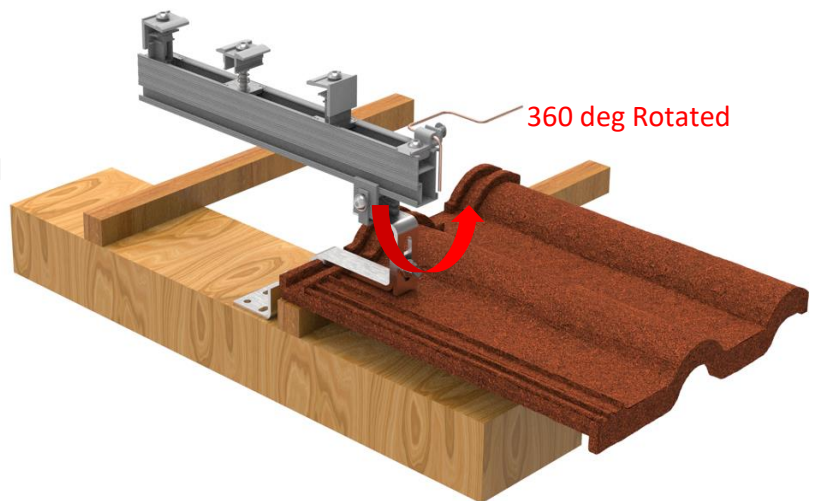
Specification



Code: WQ-SH-18

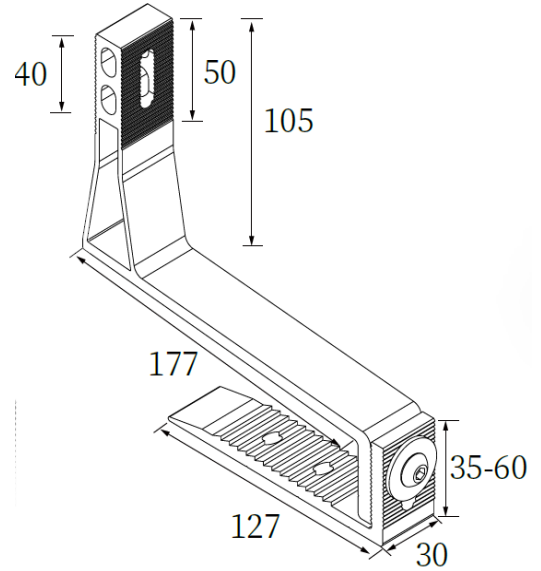
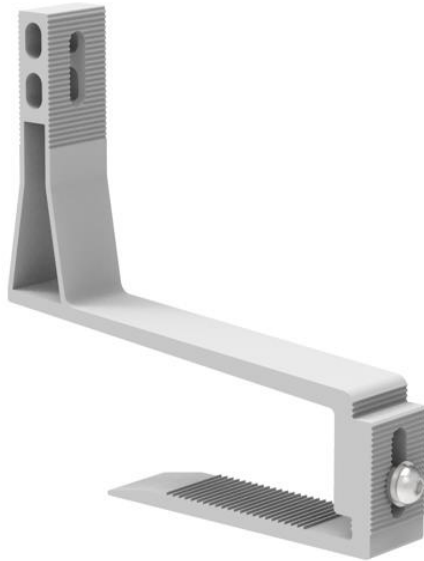
Unit: mm

To suit:
 Pantiles roof, Slate roof, Plain tiles roof, FI
 tile roof, Spanish tile roof.
 Portrait and landscape installation.



Component list			
	Quantity	Specification	Material
SH 18# Hook	1	140*55*115*55 mm	SUS304
Rail Fix Adapter	1	Rotate Rail Fix Adapter	Alu 6005-T5 or SUS 304
Wooden screw	3	M6.3*80	Dacromet SUS401
L Kits with screw	1	60*70	SUS304

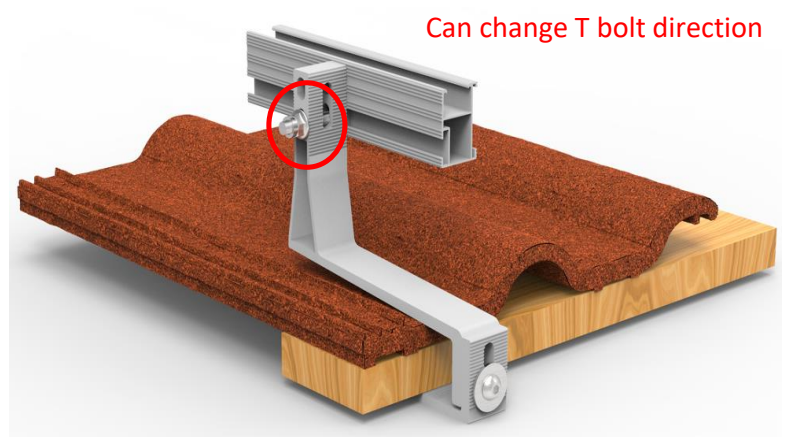
Specification



Code: WQ-AH-06

Unit: mm

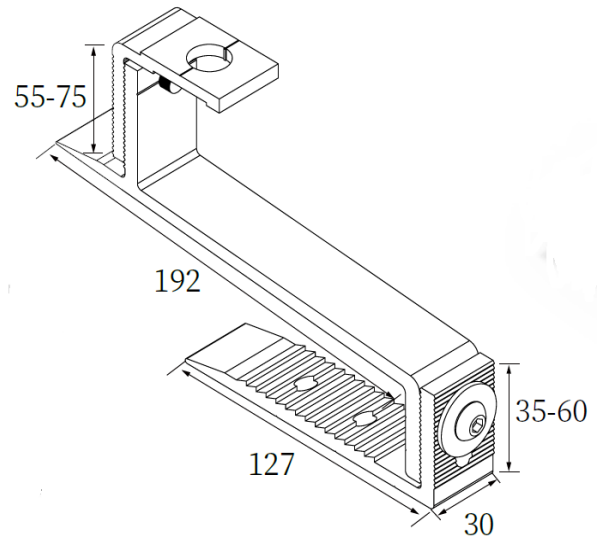
To suit:
 Pantiles roof, Slate roof, Plain tiles roof, Flat tile roof, Spanish tile roof.
 Portrait and landscape installation.



Component list

	Quantity	Specification	Material
AH 6# Hook	1	127*30*177*105 mm	Alu 6005-T5
Nut kits Or T Bolt	1	J53 nut kits or M8*25 T bolt	Alu 6005-T5 or SUS 304

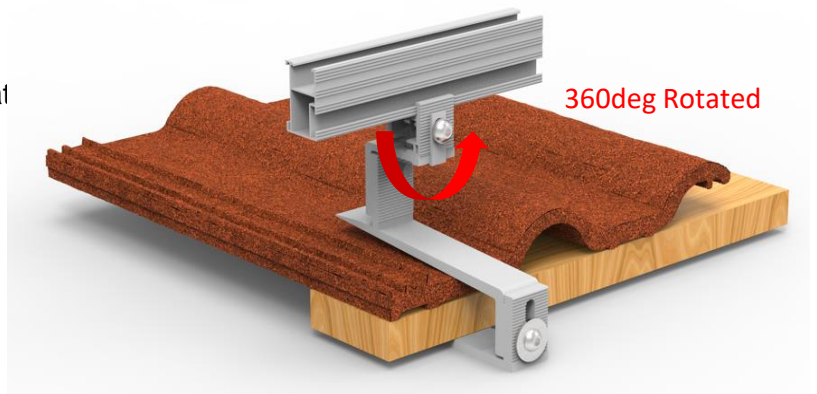
Specification



Code: WQ-AH-07

Unit: mm

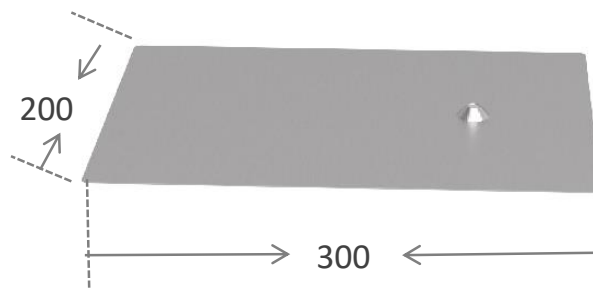
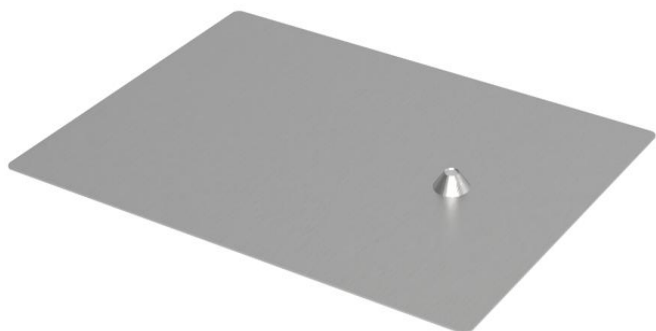
To suit:
 Pantiles roof, Slate roof, Plain tiles roof, Flat tile roof, Spanish tile roof.
 Portrait and landscape installation.



Component list

	Quantity	Specification	Material
AH 07# Hook	1	127*30*192*55 mm	Alu 6005-T5
Rail Fix Adapter	1	Rotate Rail Fix Adapter	Alu 6005-T5 or SUS 304

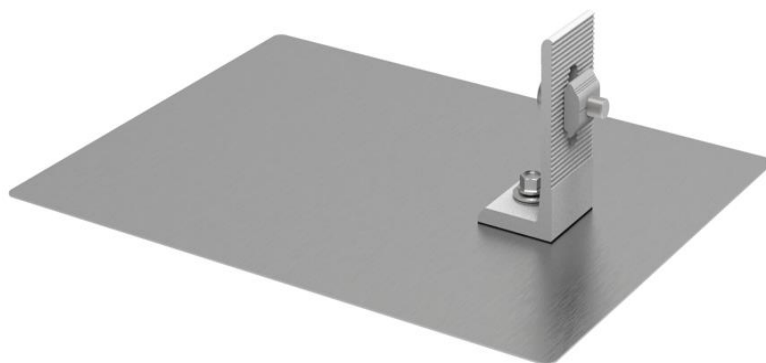
Specification



Code: WQ-AC-22

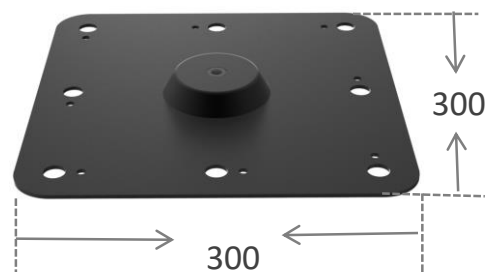
Unit: mm

To suit:
The Asphalt Shingles, TPO roofs



Component list			
	Quantity	Specification	Material
Asphalt Attachment	1	49*40 mm	Aluminium 6005-T5
L feet	1	40*85	Aluminium 6005-T5
Wooden screw	1	M6.3*80 mm	SUS401
Rail nut kits	1	WOCHN rail nut kits	Aluminium 6005-T5

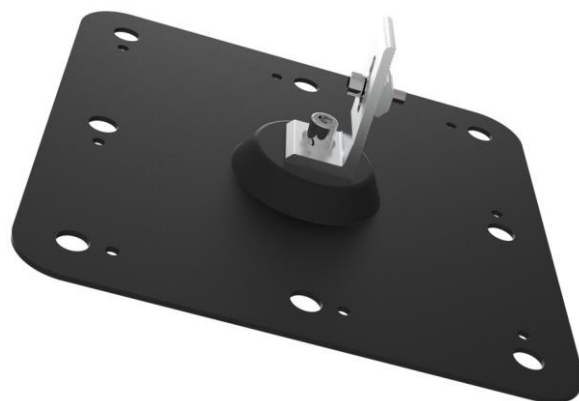
Specification



WQ-SH-67

Unit: mm

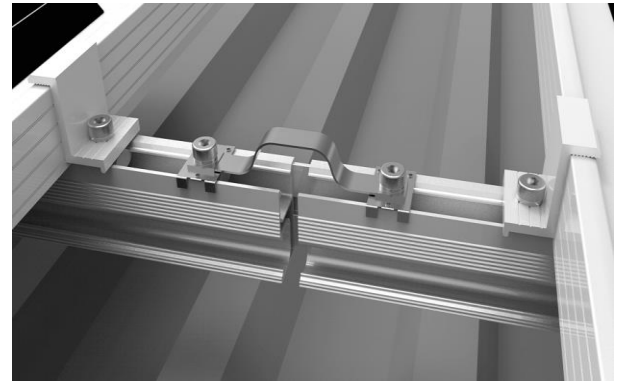
To suit:
Anchor for TOP/PVC flat roofs



Component list			
	Quantity	Specification	Material
TPO/PVC Attachment	1	300*300 mm	Steel
L feet	1	40*85	Aluminium 6005-T5
M12 screw	1	M12*20 mm	SUS304
Rail nut kits	1	WOCHN rail nut kits	Aluminium 6005-T5

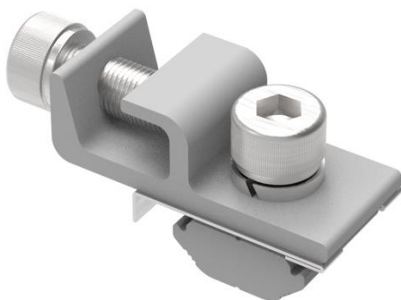
Code: WQ-GL-R1

Bonding jumper for connecting two rail to make electrical through all rail.



Code: WQ-GL-R2

Grounding lug for connecting approach rail and make electrical through complete solar system



Code: WQ-GC-R3A

WOCHN open earthing clip
Connecting approach rail and make electrical through complete solar system



Code: WQ-GC-R3B

WOCHN closed earthing clip
Connecting approach rail and make electrical through complete solar system



Code: WQ-CL-1

SUS 304 steel Solar cable clip for handle 2 solar cable on solar system.



Code: WQ-CL-2

SUS 304 steel Solar cable clip for handle 2 solar cable on solar system.



Code: WQ-CL-3

SUS 304 steel Solar cable clip for handle 3 solar cable on solar system.



Code: WQ-CL-4

SUS 304 steel Solar cable clip for handle 3 solar cable on solar system.



Code: WQ-CL-5

SUS 304 steel Solar cable clip for handle 4 solar cable on solar system.



Code: WQ-CL-6

SUS 304 steel Solar cable clip for handle 4 solar cable on solar system.



Code: WQ-MC4-AB
MC4 Connector (A/B)



Features	
Rate voltage:	1000v
Rated current:	22A(2.5mm ²) , 30A(4mm ² ,6mm ²)
Test voltage:	6KV(50Hz)
Protect degree:	IP67/IP2X
Insulation material:	PC/PA/PPO/TPE
Contact material:	Silver plated copper
Operating temperature:	-40°C~+90°C
Safe class:	2
Flame class:	UL94-V0
Contact resistance:	≤5mΩ
Suitable cable:	2.5mm ² /4mm ² /6mm ² (AWG14/12/10)
Locking system:	Snap in

Code: WQ-MC4-O2A/2B
Old 2 Branch MC4 connector



Code: WQ-MC4-N2A/2B
New 2 Branch MC4 connector



Code: WQ-MC4-O3A/3B
Old 3 Branch MC4 connector



Code: WQ-MC4-N3A/3B
New 3 Branch MC4 connector



Construction

Type	Conductor		Installation Standard Thickness	Installation Standard Dia	Jacket Standard Thickness	Outer Dia	Conductor resistance (20 °C)	Max current Carrying Capacity
	Construction	Conductor Dia						
mm ²	N/mm	mm	mm	mm	mm	mm	Ω/KM	Apm
1.5	30/0.25±0.006	1.58	0.9	3.38±0.1	1.1	5.5±0.2	13.7	30
2.5	50/0.25±0.006	2.04	0.85	3.74±0.1	0.9	5.5±0.2	8.21	41
4.0	56/0.3±0.006	2.59	0.85	4.29±0.1	0.9	6.1±0.2	5.09	55
6.0	84/0.3±0.006	3.17	0.85	4.87±0.1	1.05	7.0±0.2	3.39	70

Specification

- > Conductor : Tinned annealed
- > Insulation : 120 °C XLPE black
- > Jacket : 120 °C XLPE black
- > voltage 600/1000 V temperature 120 °C
- > Specifically designed for connecting photovoltaic system components inside and out side of building and equipment with high mechanical requirements and extreme weather conditions. For permanent installations

> Cable made of electron-beam cross-linked insulation and coating: high resistance against heat,cold, oil,abrasion, ozone,UV and weather; with improved reaction in case of fire, low smoke,halogen free, flame free, flame retardant; flexible, easy to strip,very low space requirement, extremely mechanically robust, very long lifetime.

Code

WQ-SC-1.5-B/R	1.5 MM ² solar cable
WQ-SC-2.5-B/R	2.5 MM ² solar cable
WQ-SC-4.0-B/R	4.0 MM ² solar cable
WQ-SC-6.0-B/R	6.0 MM ² solar cable



Electrical Features

Item	Unites	Specification
Conductor resistance (20 °C)	Ω/KM	—
Insulation resistance (90 °C)	Ω/CM	≤10"
Withstand voltage	V/ 5 Min	AC6500
Lifetime	Year	≤25 years
Min.Bending Radius	—	5D



Easy To Mount PV System



WOCHIN
EASY MOUNTING SYSTEMS

Wochn Green Energy Co.,Ltd

Add: Xicen Building 349, Qingpu District, Shanghai,China

Tel: 0086-21-39519802

Mob: 0086-15721481648

Email: sales@wochnmount.com

Web: www.wochnmounting.com