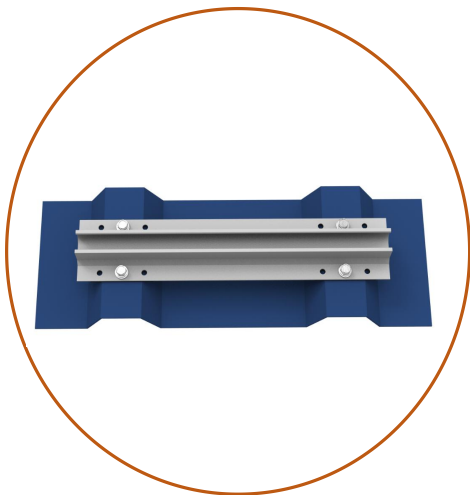


WOCHN  $\pi$  mini rail mounting system is designed for metal sheet roof. It's a variant of Mini rail system and impresses with its universality and simplicity. The whole system consists only four components and easy to install. This system is workable for all orientation. Watertight seal is dispalyed by using the four EPDM mat. Short rail system with pre-punched holes for quick mounting.

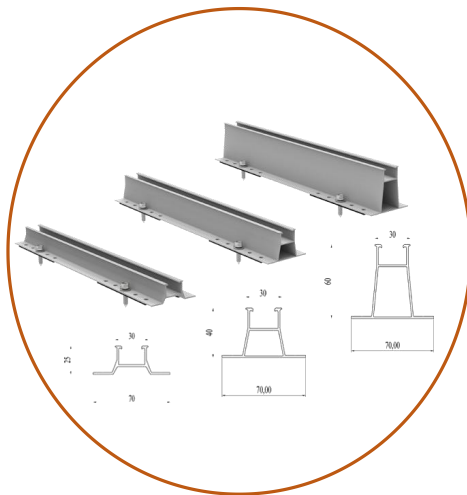


## $\pi$ Mini rail



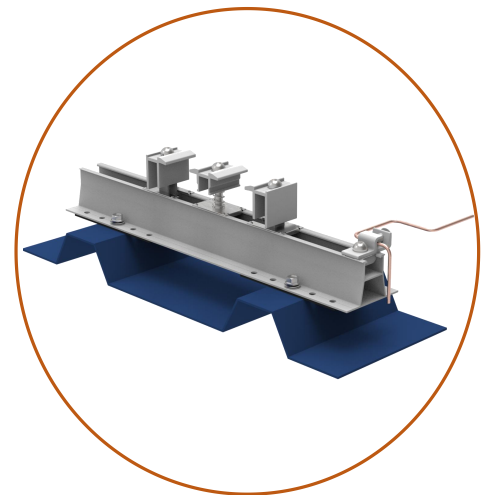
### Rail-free

No long rail, easy to handle to save installation and labor cost



### 3 Heights

25/40/60mm height, more height for better rear ventilation of system

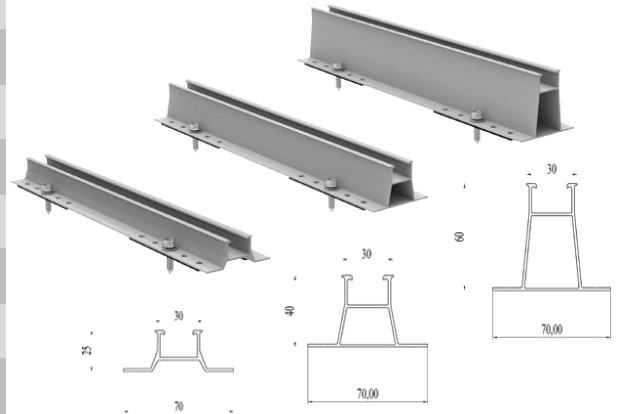


### Easy Handle

Only 4 components required to fix solar modules

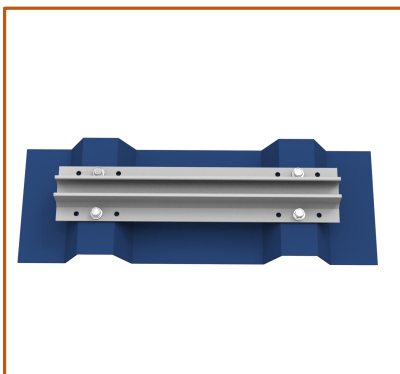
## Technical Data

|                     |   |
|---------------------|---|
| Product name        | π MiniRail system                       |
| Application         | Trapezoidal, sandwich, corrugated Sheet |
| Inclination         | Any roof inclination                    |
| Material            | Aluminium 6005-T5                       |
| Color               | Nature or Black                         |
| PV module           | Framed or Unframed                      |
| Module size         | Small and Big modules                   |
| Module direction    | Portrait and Landscape                  |
| Design wind loading | Up to 60m/s                             |
| Design snow loading | Up to 1 metre                           |
| Roof height         | Up to 20 metre                          |
| Design Standard     | EN1991, AS1170, UL1703                  |



Unit: mm

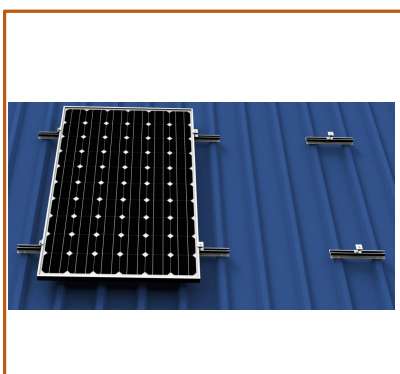
## Quick Installation Guide



**Step 1:**  
After confirming the position, put π Mini rail on metal sheet and fasten by four screws.



**Step 2:**  
Install all π Mini rail on metal sheet roof.



**Step 3:**  
Install solar module with mid and end clamps on the π Mini rail.



**Step 4:**  
Finish all solar modules installation one by one.